

# SpitBits

*"Old Fashioned Service the New Fashioned Way"*



GT6 MK1, MK2 (GT6+) & MK3 Catalog

800.201.0494

[www.spitbits.com](http://www.spitbits.com)

## Engine

1) VALVE COTTER (24req)	106663	21) VALVE COVER STUD 1966-1973 (2req)	105123
2) COLLAR INLET 1966-1973 & EXHAUST 1971-1973	111870	22) JAM NUT (2req)	HN2008
2) COLLAR EXHAUST OUTER (6req) 1966-1970	128335	23) ROCKER PEDESTAL # 6 MK2 & MK3	145869
3) VALVE SPRING INNER (12req) MK1 & MK2	102564	24) LOCATING SCREW 66-73	104859
3) VALVE SPRING OUTER (12req) MK1 & MK2	121251	25) ROCKER PEDESTAL #2,3,4,5	144974
3) VALVE SPRING SET MK1 & MK2	CVS3466K	26) ROCKER PEDESTAL #1 MK2 & MK3	145867
3) VALVE SPRING MK3 up to KF10,000 (12req)	136487	27) ROCKER SHAFT NUT (6req)	100498
3) VALVE SPRING MK3 from KF10,001 (12req)	157229	28) ROCKER SHAFT WASHER (6req)	WP9
3) VALVE SPRING SET MK3 from KF10001	CVS6706K	29) ROCKER SHAFT STUD (6req)	132495
4) VALVE SPRING COLLAR LOWER MK3 (12req)	105118	30) MOUNTING NUT & WASHER (2req)	HN2008/LW
5) INLET & EXHAUST VALVE GUIDES MK1 (12req)	119622	31) MOUNTING BOLT, WASHER & LOCK W HU704/WLV	
5) INLET VALVE GUIDE MK2 & MK3 (6req)	58923	32) REBUILT CYLINDER HEAD (call for spe: SBRH2	
5) EXHAUST VALVE GUIDE MK2 & MK3 (6req)	111869	33) DRIVE GEAR USED	126786USEI
5) INLET VALVE GUIDE (BRONZE) MK2 & MK3 (6req)	58923/BR	34) MILLS PIN	500974
5) EXHAUST VALVE GUIDE (BRONZE) MK2/3 (6req)	111869/BR	35) NEW STOCK CAMSHAFT	307689
6) INLET VALVE MK1 (6req)	122257	35) NEW CAMSHAFT FAST ROAD	307689TH5
6) INLET VALVE MK2 & MK3 (6req)	146128	<b>Note:</b> above camshaft has a 280 Degree duration	
6) EXHAUST VALVE MK1 up to KD6,914E (6req)	137841	36) CAM LOCK PLATE 66-73	105114
6) EXHAUST VALVE MK1 from KD6,915E (6req)	148387	37) MOUNTING BOLT & LOCKWASHER (2r HU807/LW	
6) EXHAUST VALVE MK2 & MK3 (STAINLESS STEEL)	149658	38) TIMING CHAIN 66-73	105131
7) VALVE SEATS <b>CALL YOUR LOCAL MACHINE SHOP!</b>		39) CAM GEAR 66-73	35960
8) SPRING 66-73	105322	40) CAM GEAR LOCK PLATE	36411
9) SECURING PIN MK2 & MK3	PC0010	41) BOLT (2req)	100500
10) ROCKER SHAFT MK1	214562	42) NUT & WASHER (2req)	HN2008/LW
10) ROCKER SHAFT MK2 & MK3	214559	43) BOLT & LOCKWASHER (5req)	HU807/LW
11) ROCKER ARM odd (6req)	109024	44) TIMING COVER OIL SEAL MK1 & MK2	125631
12) ROCKER ARM even (6req)	109023	44) TIMING COVER OIL SEAL MK3	UKC1110
13) JAM NUT (12req)	51K1178	45) MOUNTING SCREW & LOCKWASHER (PT803/LW	
14) ROCKER ADJUSTING SCREW (12req)	109495	46) SPLIT PIN (2req)	PC007
15) FIBER SEAL (3req)	WF508	47) WASHER (2req)	WP18
16) WASHER (3req)	WP8	48) TIMING CHAIN TENSIONER 66-73	42425
17) VALVE COVER BOLT	516134	49) PIN	33214
18) NUT (2req)	TN3208	50) STUD (2req)	101962
19) OIL CAP (NON VENTING)	GZC1400Z	50a) FRONT ENGINE PLATE	215349A
20) ALLOY VALVE COVER GT6 (MK3 only)	214816/A		
20) ALLOY VALVE COVER BLACK GT6 (MK3 only)	214816BLK		

### Alloy Valve Cover (shown in black)



**Note:** to provide adequate clearance for the bonnet the original front mounting bolt or the items listed below must be used.

NUT for front mount when alloy valve cover is fitted.	147737
WASHER for front mount when alloy valve cover is fitted.	147738
SEAL for front mount when alloy valve cover is fitted.	148090



51) MOUNTING BOLT & LOCKWASHER	HU805/LW
52) DOWEL (2req)	DP514
53) LIFTING BRACKET USED	123716USEI
54) CYLINDER HEAD NUT MK1 BLACK (14r	110748
54) CYLINDER HEAD NUT MK2 & MK3 (14r	103810
55) WASHER MK1 (14req)	GHF302
55) WASHER MK2 & MK3	508289
56) CYL HEAD STUD MK1 SHORT (7req)	133803
56) CYL HEAD STUD MK1 LONG (7req)	119758

56) CYL HEAD STUD MK2 & MK3 (14req)	146200
57) WATER DRAIN TAP	602915A
57) WATER DRAIN PLUG	129077
58) FIBER WASHER	WF511
59) PUSH ROD MK1 HIGH COMPRESSION (12req)	129058
59) PUSH ROD MK2 & MK3 up to KF10,000 (12req)	151073
59) PUSH ROD MK3 after KF10,001 (12req)	149513
60) CAM FOLLOWER (12req)	143552
60) CAM FOLLOWER DRILLED & PHOSPHATED (12req)	143552DRILLE
61) STUD (3 req)	139836
62) CORE PLUG SET fits most MK1 GT6	CPS7A
62) CORE PLUG SET MK2 & MK3	CPS7
63) ENGINE BACK PLATE	211514A

86) FLY WHEEL RING GEAR	201350
87) FLYWHEEL MOUNTING BOLT (4req) 7/1UKC4254	
88) PILOT BUSHING 66-73	105143
89) THRUST WASHERS up to KC5,000 STD	104820
89) THRUST WASHER SET from KC5,001	W2171S
<b>W2171S is available in STD, .005, .010, .015, .030</b>	
90) PISTON SET .020,.030,.040 1966-73	CP800K
90) PISTON SET MK3 > KF10,001 (EURO S CP801	
91) RING SET STD,.020,.030	RTC2428
92) CON ROD ASSEMBLY from KD5,001	146454/R
93) SMALL END BEARING 1966-73	119813
94) ROD BEARING up to KD5,000	CB6352
94) ROD BEARING from KD5,001	B6433SA
94) TRI METAL ROD SET from KD5,001	B6433SA HD
95) ROD BOLT 1966-73 (12req)	UKC2598
96) MAIN BEARING SET up to KC5,000	CB4191
96) MAIN BEARING SET from KC5,001	M4229SA
96) TRI METAL MAIN SET from KC5,001	M4229HD
97) WOODRUFF KEY	133234
98) SHIMS .006 A/R	145276
99) CRANK GEAR 1966-73	119389
100) OIL DEFLECTOR	119390
101) OIL SEAL SLEEVE	133235
102) PULLEY AND DAMPER MK3	154380
103) PULLEY BOLT	HB1316
104) REGROUND CRANK KIT from KC5,001	308034/R
105) OIL PUMP	POL706
105a) OIL PUMP REBUILD KIT (ALLOY PUMORK15	

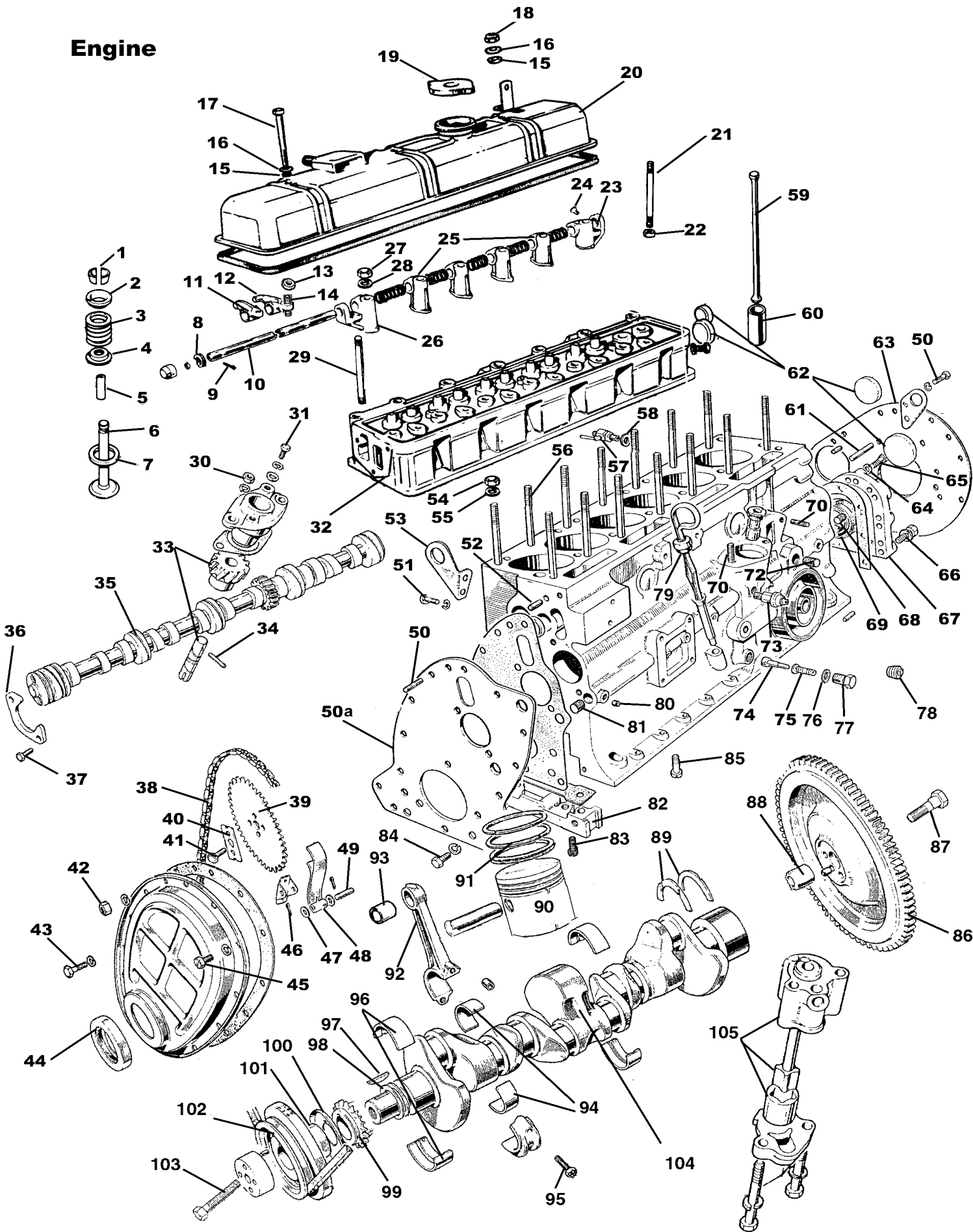
**Note:** Our Tri Metal Bearings are made from the same material as Vandervell bearings.



64) COPPER WASHER	500469
65) BOLT	HU809
66) BOLT & LOCK WASHER (6req)	HU809/LW
67) OIL SEAL HOUSING USED	156530
68) PLUG OIL GALLERY	118632
69) REAR ENGINE SEAL	143456
70) STUD (4req)	101962
72) CORE PLUG	PU1404
73) OIL PRESSURE SENDER 1 PRONG	GPS117/X
74) OIL PRESSURE RELIEF VALVE	132107
75) SPRING (relief valve)	131535
76) SEALING WASHER (relief valve)	6K433
77) BODY (relief valve)	107246
78) DRAIN PLUG	114774
78a) DRAIN PLUG MAGNETIC	114774M
79) DIP STICK SEAL	32307
79a) DIP STICK WITH SEAL	127653
80) PLUG OIL GALLERY (6req)	118686
81) CORE PLUG	PS1103
82) FRONT SEALING BLOCK	151134
83) SCREW (2req)	100501
84) BOLT & LOCKWASHER (3req)	HU806/LW
85) OIL PAN BOLT (23req)	HU805/LW



# Engine



## Engine Mounts

- 1) ENGINE MOUNTS (2req)
- 2) LOCK NUT & WASHER (4req)
- 3) MOUNTING BOLTS & LOCK NUTS (2req)

EM665  
YN2909/W  
MHDW2

## Gearbox Mount O/D

- 1) BOLT, WASHERS & NUT (2req)
- 2) BOLT & WASHERS (2req)
- 3) GEARBOX MOUNT O/D
- 4) BOLT, LOCK WASHER & NUT (4req)
- 5) D TYPE O/D MOUNTING PLATE

HU806/WN  
HU957/W  
159656  
HU805/WN  
147629

## Gearbox Mount Non O/D

- 1) GEARBOX MOUNT (2req)
- 2) MOUNTING CRADLE
- 3) MOUNTING PLATE
- 4) BOLT & WASHERS (2req)
- 5) BOLT, LOCK WASHER & NUT (4req)
- 6) NUT & WASHERS (2req)

122689  
136890  
TKC484  
HU806/W  
HU805/WN  
HN2008/W

## Oil Filter

- 1) O RING
- 2) OIL FILTER SEAL
- 3) OIL FILTER WITH SEAL

510109  
517427  
GFE138

## Oil Cooler Hose Kit & Oil Filter Adapters

- 1) RUBBER HOSE KIT INCLUDING ADAPTER
- 1) STAINLESS HOSE KIT INCLUDING ADAPTER
- 2) OIL COOLER 13 ROW
- 2) OIL COOLER 16 ROW
- OIL FILTER ADAPTER not illustrated
- OIL FILTER ADAPTER (with oil cooler takeoffs)

TRI2A  
TRI2SS  
SBK23  
SBK24  
FHT2  
FHT1

## Rubber Hose Kit



## Stainless Steel Kit



## Engine Gaskets

- 1) HEAD GASKET SET MK1 OEM
- 1) HEAD GASKET SET MK2,3 < KF10000 O
- 1) ALTERNATE HEAD SET MK2,3 < KF10000 CCG902
- 1) HEAD GASKET SET MK3 72-73 OEM
- 1) ALTERNATE HEAD GASKET SET MK3 72 CCK283
- 2) EXHAUST GASKET MK1
- 2) EXHAUST GASKET MK2 & MK3
- 3) HEAD GASKET MK1 OE
- 3) HEAD GASKET MK2 MK3 to KF10000 REI
- 3) HEAD GASKET MK2 MK3 to KF10000 O.E
- 3) HEAD GASKET MK3 from KF10001 REPR
- 3) HEAD GASKET MK3 from KF10001 O.E
- 4) VALVE COVER GASKET
- 5) WATER PUMP HOUSING GASKET
- 6) DISTRIBUTOR HOUSING GASKET (.006
- 7) THERMOSTAT GASKET
- 8) GASKET MK1
- 8) GASKET MK2 & MK3
- 9) LOWER GASKET SET
- 10) TIMING COVER GASKET
- 11) ENGINE PLATE GASKET
- 12) FUEL PUMP GASKET
- 13) OIL PAN GASKET
- 14) WATER PUMP GASKET
- 15) HORSE SHOE GASKET
- 16) ALUMINUM BLOCK GASKET
- 17) WOOD PACKING PIECE

GEG115  
GEG198  
CCG902  
AJM1193  
CCK283  
AJM613  
GEG682  
207102  
GEG346  
EAG900  
REPRCK280  
AK280  
GEG413  
138792  
104939  
GTG103  
GEG701  
GEG718  
CEE350  
211126  
215350  
138791  
GEG515  
138701  
105321  
UKC8321  
36234

*\*NSS. Not sold separately*

## Performance Parts (not illustrated)

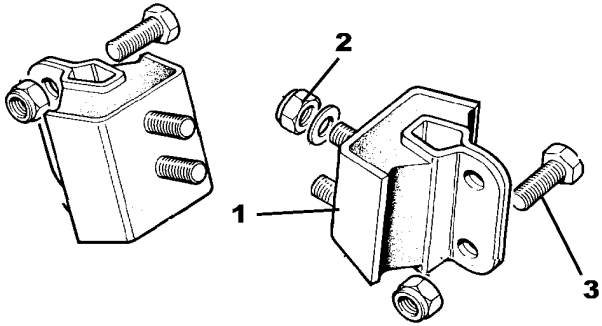
- NEW CAMSHAFT FAST ROAD 307689  
NEW CAMSHAFT FAST ROAD (280 Degr) 307689  
ENGINE BACK PLATE ALUMINUM 211514A  
ENGINE FRONT PLATE ALUMINUM 215349A

## Rocker Oil Feed Kit

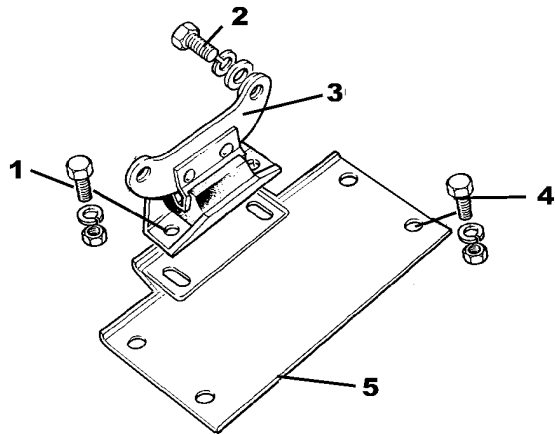
TRIRFP6



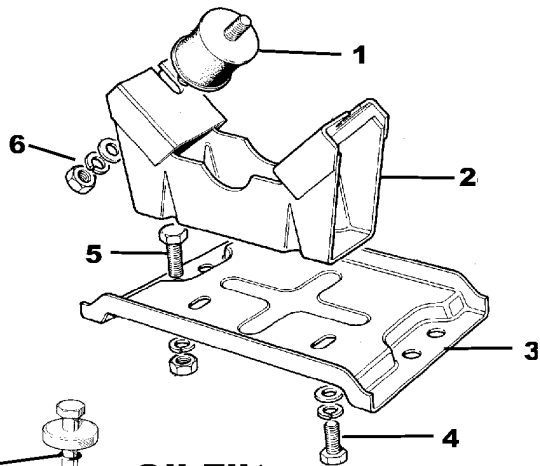
## Engine Mounts



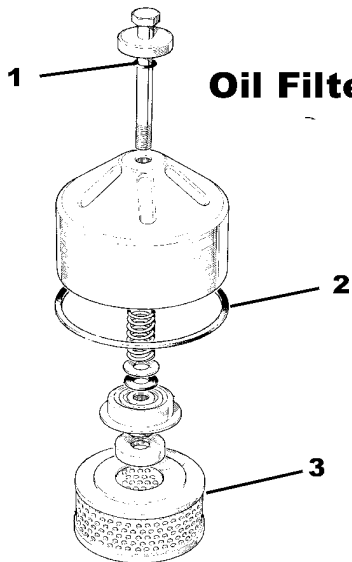
## Gearbox Mount O/D



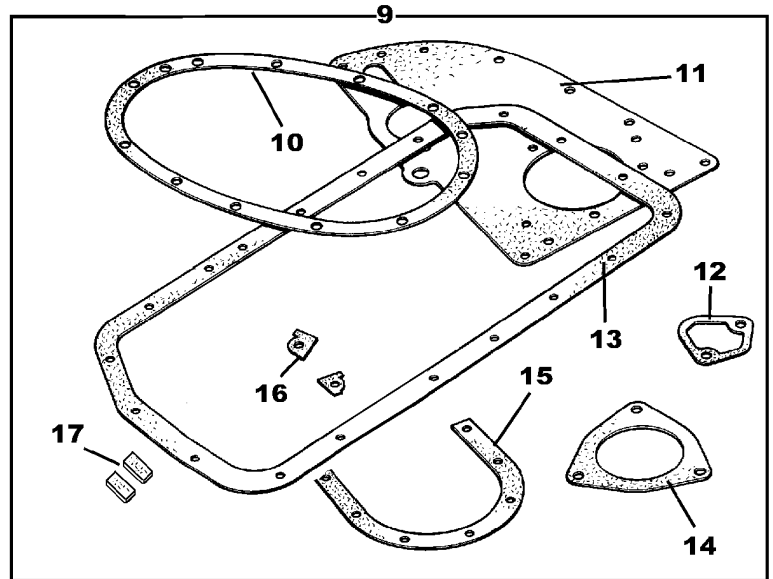
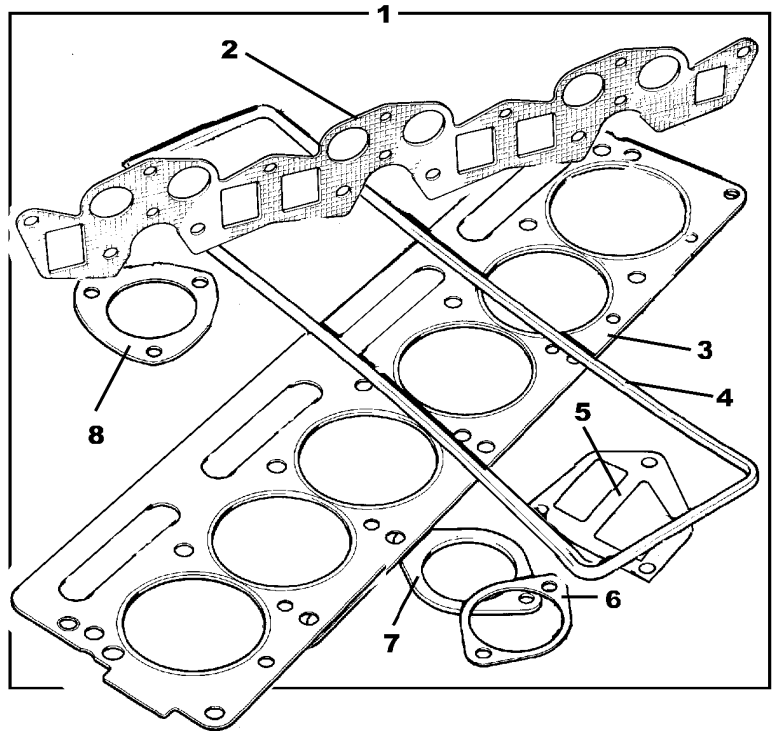
## Gearbox Mounts Non O/D



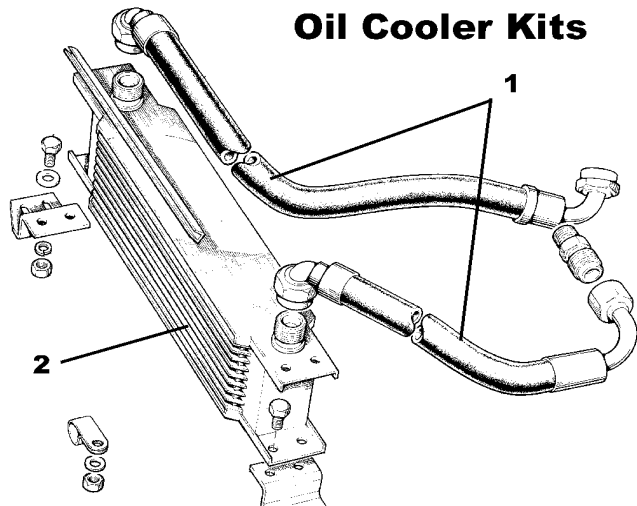
## Oil Filter



## Engine Gaskets



## Oil Cooler Kits



## Gearbox

1) OPERATING SHAFT 1971-1973	129120	27) FULCRUM PIN 1966-1973	132079
2) OPERATING SHAFT COUPLING 1966-1973	127741	28) COPPER WASHER (1req) 1966-1973	500464
3) OPERATING SHAFT 1966-1973	127740	29) FRONT OIL SEAL 1966-1973	132292
4) SHIFT REPAIR KIT 1966-1973	519770	30) CLUTCH SLEEVE USED 1966-1973	143707
4a) SHIFT LEVER RETAINER USED 1966-1973	126607	31) OPERATING LEVER USED 1966-1973	132080/USE
5) GEARSHIFT BOOT 1966-1973	710820	32) BOLT & LOCK WASHER (5req) 1966-1973	HU908/LW
5a) GEARSHIFT BOOT RETAINER RING 1966-1973	613607	35) SELECTOR SHAFT 3rd & 4th 1966-73	108021
6) WALNUT GEARKNOB 1966-73 (not MK3 Overdrive)	SBK619	36) SELECTOR SHAFT 1st & 2nd 1966-73	146240
6a) LEATHER GEARKNOB 1966-1973 (not MK3 Overdrive)	150383	37) SELECTOR SHAFT REVERSE 1971-73	154945
6b) GEAR KNOB MK3 with overdrive	153515	38) FILL PLUG 1966-1973	114774
6c) GEARSHIFT CAP MK3 with overdrive	155030	39) BOLT, WASHER & NUT BELLHOUSING	HB812/LWN
6d) GEARSHIFT O/D SWITCH MK3 with overdrive	39166	40) FRONT COVER 1966-1973	132078
6e) CHROME GEAR KNOB NUT MK3 with overdrive	C30505	41) 3 PIECE CLUTCH KIT COVENTRY CLASSIC	CCK8910
6f) GEAR KNOB INTERNAL LOCKNUT MK3 with overdrive	C30623	41a) 3 PIECE CLUTCH KIT BORG & BECK	HK8910
7) GEAR LEVER MK3 GT6 (with overdrive)	155031	41b) CLUTCH PLATE	HB8715
7a) USED GEAR LEVER NON O/D 1966-1973	148906	41c) PRESSURE PLATE	HE4787
7b) REVERSE STOP SCREW 1966-1973	118054	41d) CLUTCH RELEASE BEARING	GRB209
8) BOLT AND LOCK WASHER (7req) 1966-1973	HU807/LW	42) BOLT & LOCK WASHER (6req)	HU856
9) REAR MAINSHAFT BEARING 1971-1973	157732	43) MASTER CYLINDER CAP	106094
9) REAR MAINSHAFT BEARING 1966-1970	117511	44) MASTER CYL "TRW"	GMC205
10) REAR SEAL 1966-1973	117510	44a) MASTER CYLINDER REPRODUCTION	GMC205/Z
11) SET SCREW SQUARE (2req) 1966-1973	122653	45) CLEVIS PIN, WASHER & SPLIT PIN	PJ8808/KIT
12) GASKET SET NON O/D 1966-1973	515122	46) MASTER CYL REBUILD KIT O.E	SP1963
12) GASKET SET O/D 1966-1973	SBK444	46) MASTER CYL REBUILD KIT REPRO	SP1963X
13) SLAVE CYL PUSH ROD 1966-1973	132239	47) CLUTCH LINE (copper nickel)	308158
14) SLAVE CYL REBUILD KIT 1966-1973	SP2487/X	48) MASTER CYL DUST BOOT	125217
15) SLAVE CYL 1966-1973	64068867	49) BOLT & LOCK WASHER (6req)	HU705 / LW
16) DRAIN PLUG 1966-1973	155660	50) BOLT & 2 WASHERS (2req)	HU705 / W
17) SELECTOR FORK 3rd & 4th 1966-1973	106268	51) CLUTCH PEDAL PAD MK1 & MK2 "T"	122289
18) SELECTOR FORK 1st & 2nd 1966-1973	113868	51a) CLUTCH PEDAL PAD MK3	150881
19) OIL SEAL SPEEDO 1966-1973	108757	52) CLUTCH PEDAL RETURN SPRING	114438
20) SPEEDO DRIVE BEARING USED 1966-1973	144621		
21) OIL SEAL (2req) 1966-1973	119099	CLUTCH ALIGNMENT TOOL	KB3319
22) PINION SPEEDO DRIVE USED 1966-1973	119100/USED		
23) BOLT & WASHER LONG (2req) 1966-1973	HB711		
23) BOLT & WASHER SHORT (7req) 1966-1973	HU707		
24) DOWEL (3req) 1966-1973	DP411		
25) STUD (4req) 1966-1973	158003		
26) DISH CORE PLUG 5/8 (6req) 1966-1973	104449		

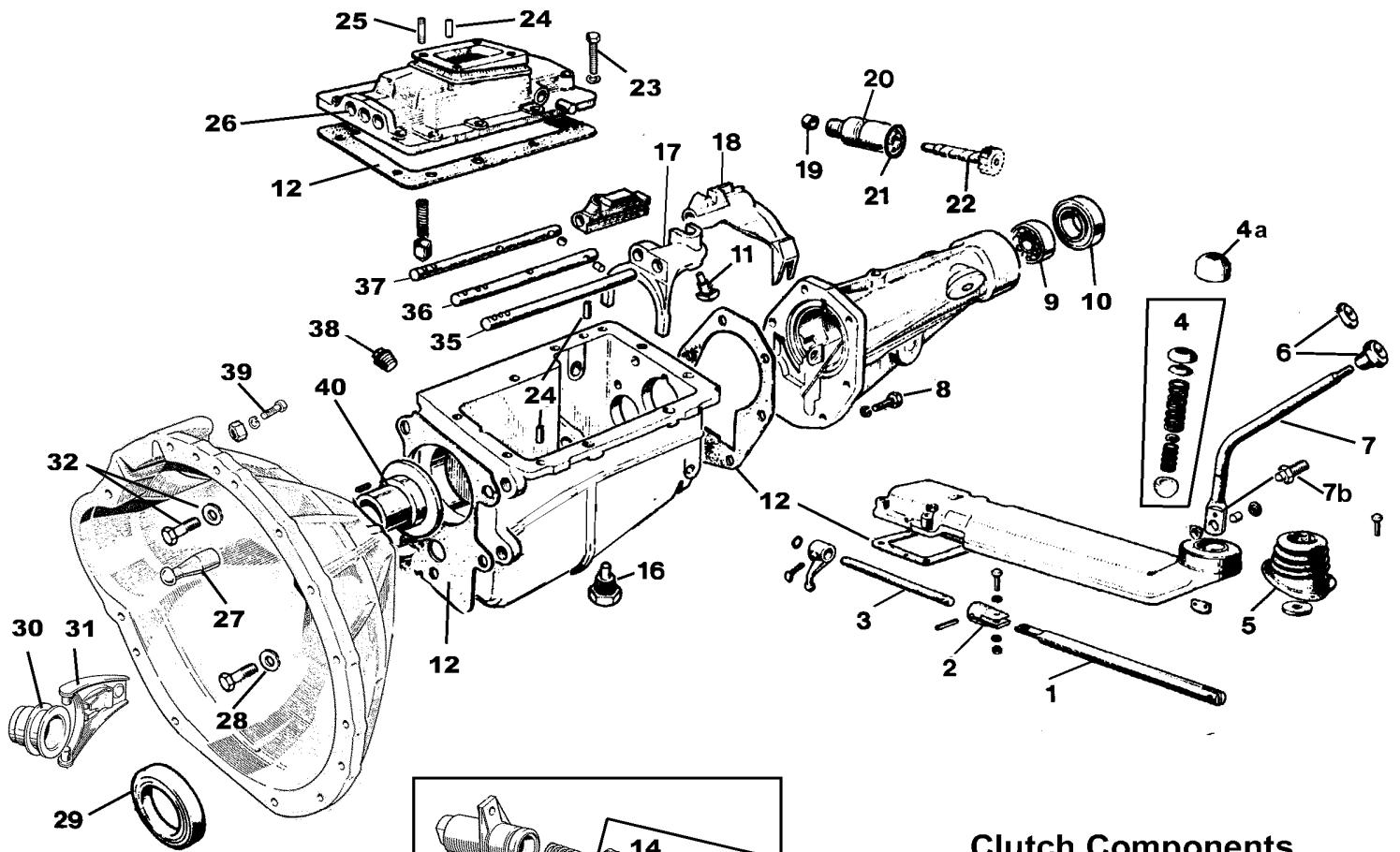
## Rebuilt Gearbox

REBUILT GEARBOX NON O/D (exchange)	UKC1602/R
REBUILT GEARBOX O/D (exchange)	520681

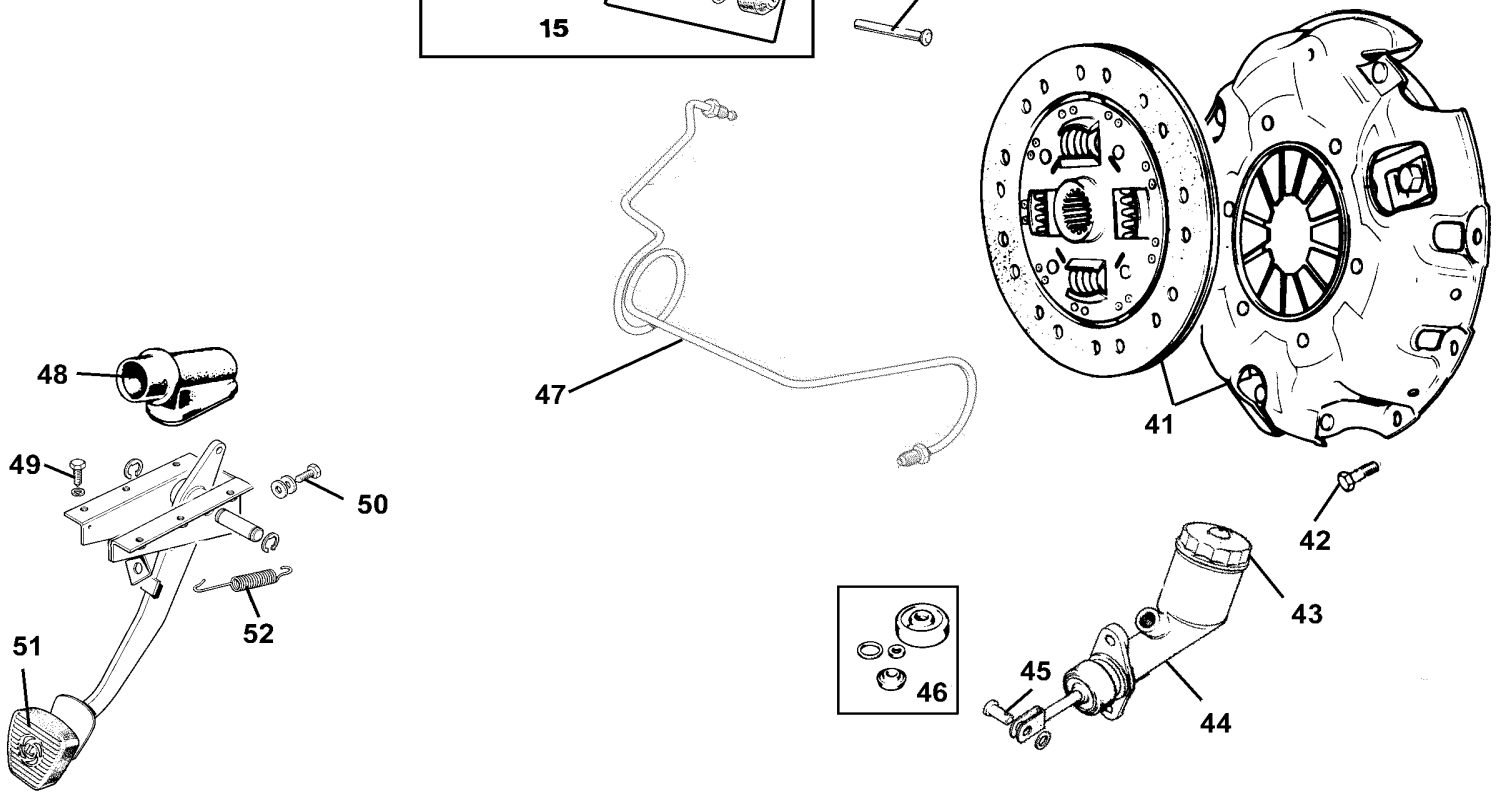
## Rebuilt Overdrive Gearbox



# Gearbox External



# Clutch Components

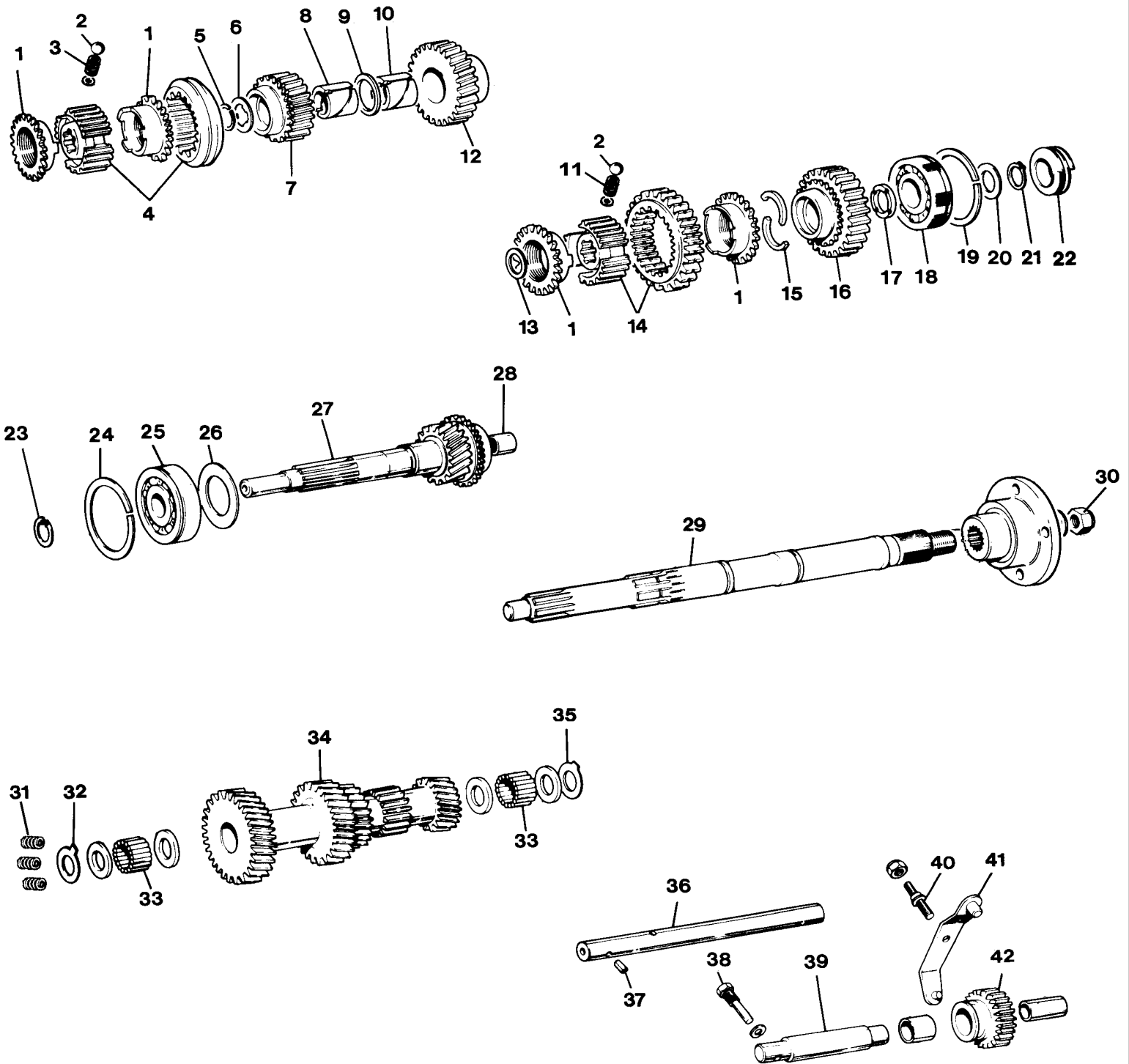




## Gearbox Internals

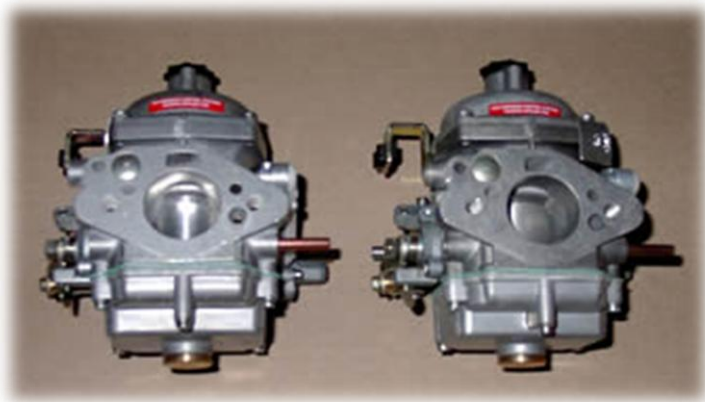
1) SYNCHRO RING 1966-70 (4req)	148409	25) INPUT SHAFT BEARING 66-73 OE	104433
1) SYNCHRO RING 1971-73 (4req)	150328	25) INPUT SHAFT BEARING 66-73 REPRO	104433/X
2) BALL 66-73 (6req)	BL0016	26) OIL THROWER 66-73	106365
3) BALL SYNCHRO SPRING 1st / 2nd 66-73 (3req)	106388	27) INPUT SHAFT 66-70	213113
3) BALL SYNCHRO SPRING 3rd / 4th 66-73 (3req)	104445	27) INPUT SHAFT 71-73	216972
4) SYNCHRO HUB ASSY 3rd 4th	156968	28) INPUT CAGE BEARING 66-73	144782
5) 3rdGEAR CIRCLIP 66-73	112394	29) MAIN SHAFT NON O/D 66-70	213018
6) THRUST WASHER 3rd GEAR 66-73	159978	29) MAIN SHAFT NON O/D 71-73	TKC533
7) 3rd GEAR 66-70	132097	29) MAIN SHAFT O/D	TKC923
7) 3rd GEAR 71-73	UKC4454	29) MAIN SHAFT FOR J TYPE O/D	TKC899
8) 3rd GEAR BUSH 66-73	147354	30) OUTPUT FLANGE NUT MK3	510618
9) THRUST WASHER.152"/.154"	111422	31) THRUST WASHER SPRING (3req)	137532
9) THRUST WASHER.161"/.163"	131843	32) FRONT THRUST LAY SHAFT 66-73	113229
9) THRUST WASHER.165"/.167"	156084	33) NEEDLE BEARING (50req) 66-73	119893
10) 2nd GEAR BUSH	147354	34) LAY GEAR 66-70	212993
12) 2nd GEAR 66-70	137615	34) LAY GEAR 17 TOOTH 1971-73	UKC8749
12) 2nd GEAR 71-73	155206	35) THRUST WASHER REAR	106270
13) FIXED THRUST WASHER 66-70	106262	36) LAY SHAFT 66-73	144595
13) FIXED THRUST WASHER 71-73	160018	37) LAYSHAFT PIN 66-73	DS1908
13) THRUST WASHER 198"-200" 71-73	UKC0934	38) REVERSE SPINDLE BOLT 66-73	106477
13) THRUST WASHER 201"-203" 71-73	UKC0935	39) SPINDLE 66-73	113071
13) THRUST WASHER 207"-209" 71-73	UKC0937	40) PIN REVERSE 66-73	106448USEI
14) HUB ASSEMBLY 21 TOOTH 1st/2nd	156911	41) LEVER 66-73	106254
14) USED HUB ASSEMBLY 21 TOOTH 1st/2nd	156911USED	42) REVERSE GEAR 21 TOOTH	144580
14) HUB OUTER GEAR 21 TOOTH 1st/2nd	156911OUTEF	42) REVERSE GEAR 17 TOOTH	UKC8750
14) HUB OUTER GEAR 17 TOOTH 1st/2nd	UKC8748/OUTER		
15) COLLAR SPLIT FIRST GEAR (2req)	137834		
16) 1st GEAR 66-70	144627		
16) 1st GEAR 71-73	154821		
17) THRUST WASHER 1st gear 66-73	137775		
18) MAIN SHAFT CENTER BEARING O.E 66-73	104433		
18) MAIN SHAFT CENTER BEARING 66-73 REPRO	104433/X		
19) CIRCLIP CENTER BEARING 66-73	112654		
20) WASHER .122"/.124" green 71-73	155806		
20) WASHER .125"/.127" blue 71-73	155807		
20) WASHER .128"/.130" orange 71-73	155808		
21) CIRCLIP 66-73	500872		
22) SPEEDO GEAR 66-70	119131		
22) SPEEDO GEAR MK3 to gearbox # KF125	155757		
22) SPEEDO GEAR MK3 # KF126 onward	156032		
23) INPUT CIRCLIP 66-73	129839		
24) CIRCLIP SHAFT BEARING 66-73	112654		

# Gearbox Internals



## New Carburetors

NEW PAIR OF CD150 STROMBERGS from KF10,000 3426AT  
*above carburetors can be fitted to earlier cars with appropriate needles.*



## Carburetor Components

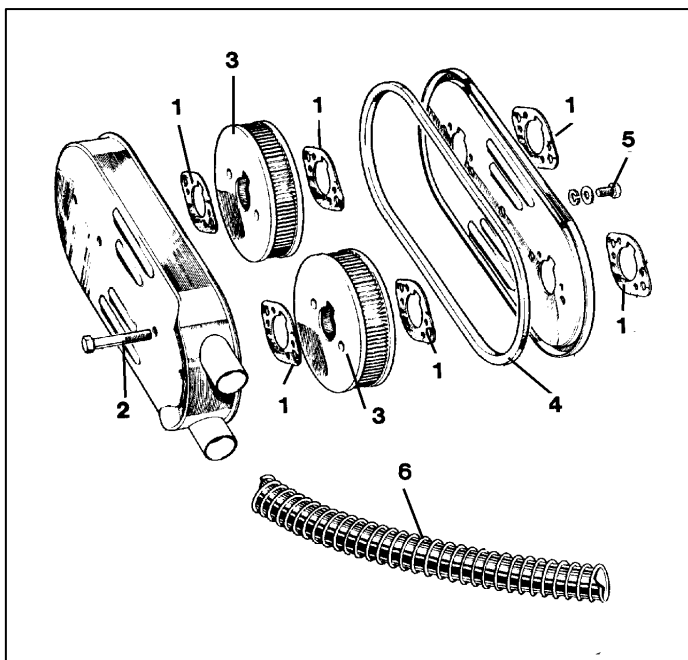
1) DAMPER ASSEMBLY (2req)	B16911
2) DAMPER O RING (2req)	516988
3) SCREW PACK (4 screws & washers included)	512274
4) PISTON SPRING (2req) up to KC10001E	B18276
4) PISTON SPRING (2req) from KC10001E	B18274
5) SCREW (8req)	B18008
6) RETAINING RING (2req)	513707
7) DIAPHRAGM MK2 / MK3 (2req)	B20924
8) SCREW MK1 (2req)	512280
8) SCREW MK2/MK3 (2req)	B20108
9) BIAS NEEDLE ADJUSTING SCREW/ O RING (2req)	B20042
10) FUEL NEEDLE MK1 up to KC10001E 6J (2req)	B17316
10) FUEL NEEDLE MK1 from KC10001E B5AH (2req)	517452
10) FUEL NEEDLE MK2 B5A (2req)	B19101
10) FUEL NEEDLE MK3 to KF10,000 B5AJ (2req)	B20660
10) FUEL NEEDLE MK3 from KF10,001 B5CF (2req)	B21769
11) BYPASS VALVE ASSY. KC50001 -1971 (2req)	517766
11) BYPASS VALVE ASSY. 72-73 (2req)	B23362
12) BYPASS REBUILD KIT KC10001E onward (2req)	64-014A
13) SCREW (4req)	518429
14) SCREW COUNTERSUNK (2req)	518439
15) IDLE MIXTURE SCREW	B18479
16) SPRING	B18480
17) COVER & SCREWS	B17933P
18) TEMPERATURE COMPENSATOR	B19656
19) FLOAT BOWL GASKET (2req)	516980
20) FLOAT VALVE ASSEMBLY (2req)	BHM1075
21) FLOAT ASSY. (2req)	B19470
22) FLOAT PIN (2req)	B18613
23) PLASTIC SEALING PLUG (2req)	B20767
24) EMISSION CONTROL LABEL (2req)	ABF313
25) CARBURETOR REBUILD KIT royze (2req)	ZE14/K
25) O.E CARBURETOR REBUILD KIT MK3 GT6	CDSK8
26) O RING SEALING PLUG (2req)	512311
27) FLOAT BOWL SCREW SHORT (4req)	B25435

## Carburetor Components Continued

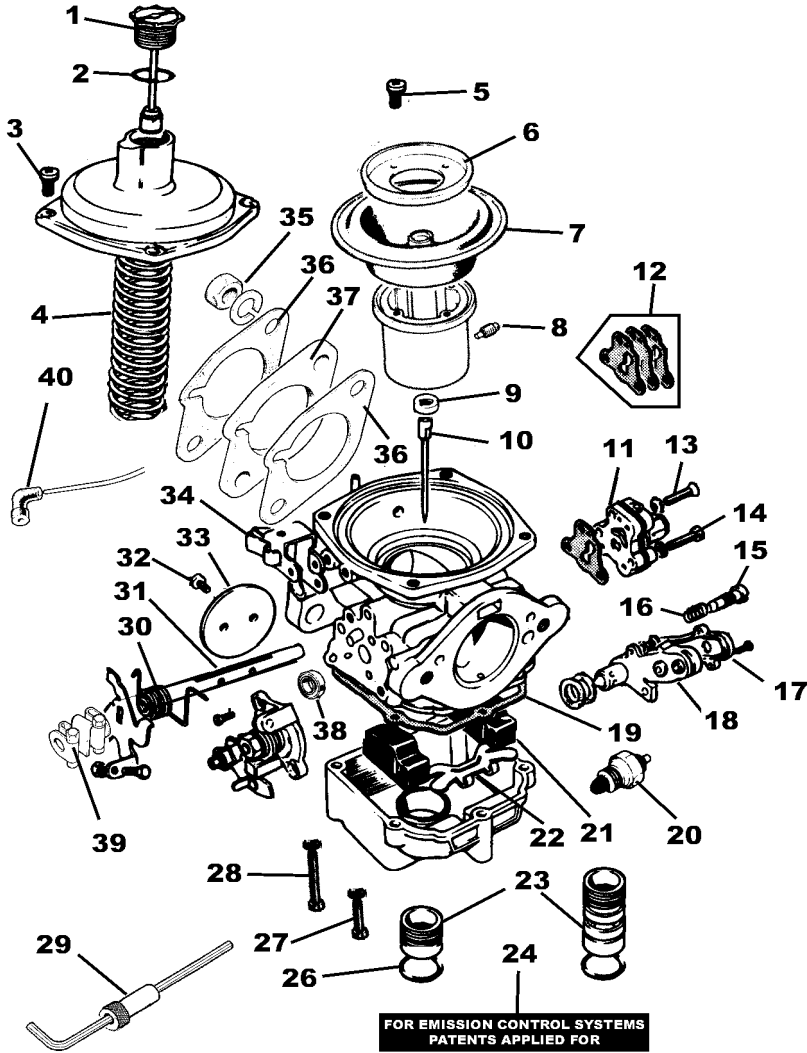
28) FLOAT BOWL SCREW LONG (8req)	B19224
29) CARB ADJUSTING TOOL	B20379
30) THROTTLE RETURN SPRING MK1 KC1	516951
30) THROTTLE RETURN SPRING MK2	517131
30) THROTTLE RETURN SPRING MK3	516951
31) THROTTLE SHAFT FRONT MK1 up to K ,020683	
31) THROTTLE SHAFT REAR MK1 up to KC ,021072	
31) THROTTLE SHAFT FRONT MK1 from KC B16760	
31) THROTTLE SHAFT REAR MK1 from KC B17964	
31) THROTTLE SHAFT FRONT MK2 & MK3	B16760
31) THROTTLE SHAFT REAR MK2	B17964
31) THROTTLE SHAFT REAR MK3 1971 - 1973	B20982
32) SCREW (4req)	516952
33) THROTTLE DISC 66-73 (2req)	,020352
34) CHOKE CABLE CLIP 66-73	516962
35) NUT & LOCKWASHER (4req)	HN2008/LW
36) MOUNTING GASKET MK3 (4req)	147659
37) MOUNTING SPACER MK1 & MK2 (2req)	137882
37) MOUNTING SPACER MK3 (2req)	147660
38) THROTTLE SHAFT SEAL (4req)	B18031
39) CARBURETOR SPINDLE COUPLER (2req)	512335
40) 90 DEGREE CONNECTOR ELBOW	128262

## Air Filters

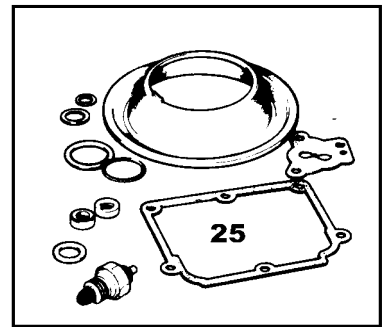
1) GASKET	148006
2) BOLT & LOCK WASHER (4req)	HB867/LW
3) AIR FILTER (2req)	GFE1051
4) AIR BOX SEAL	138311
5) BOLT, WASHER & LOCK WASHER	HU704/W
6) AIR HOSE MK3	616011



# Carburetor



FOR EMISSION CONTROL SYSTEMS  
PATENTS APPLIED FOR



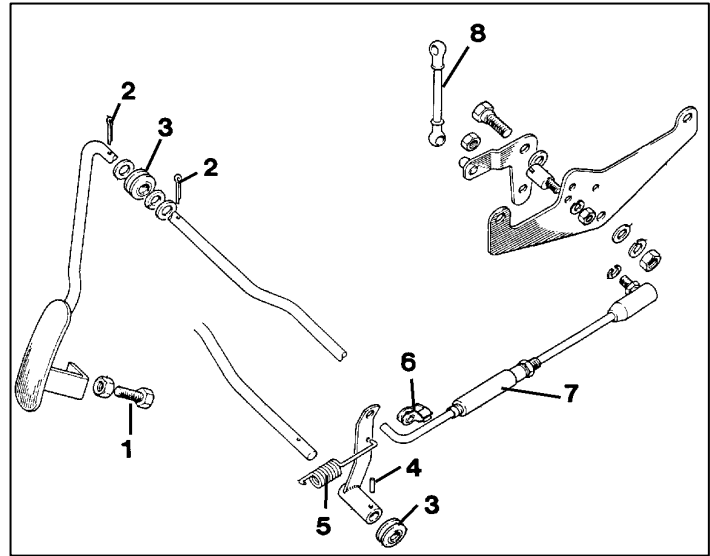


## Gas Tank & Fittings

1) GAS CAP MK1	613506
1) GAS CAP MK2	714774
1) LOCKING GAS CAP MK1 & MK2	571086
1) LOCKABLE GAS CAP MK3	718750
1a) GAS CAP SEAL MK3	725414
2) LOCK TUMBLER & KEY MK3	519352
3) SEAL MK1	619420
3) SEAL MK2	622683
3) SEAL MK3	619122
4) RETAINER MK3	710709
5) FILLER HOSE MK1 & MK2	144795
5) FILLER HOSE MK3	155409
6) LOCK RING	ARA1501
7) FUEL SENDER 1966-72	307474
8) SEAL	ARA1502
9) GAS TANK	
10) FUEL PUMP REPRO up to KC5,000E MK1	206623
10) FUEL PUMP REPRO MK1 from KC5,001	213577R
10) FUEL PUMP WITH LEVER MK2 & MK3	213577R
11) NUT & LOCKWASHER (2req)	HN2008/LW
12) FUEL PUMP GASKET	138791
13) FUEL PUMP OLIVE 5/16" PIPE	TL8
14) FUEL PIPE NUT 5/16" PIPE	60142
15) FUEL FILTER	F6M

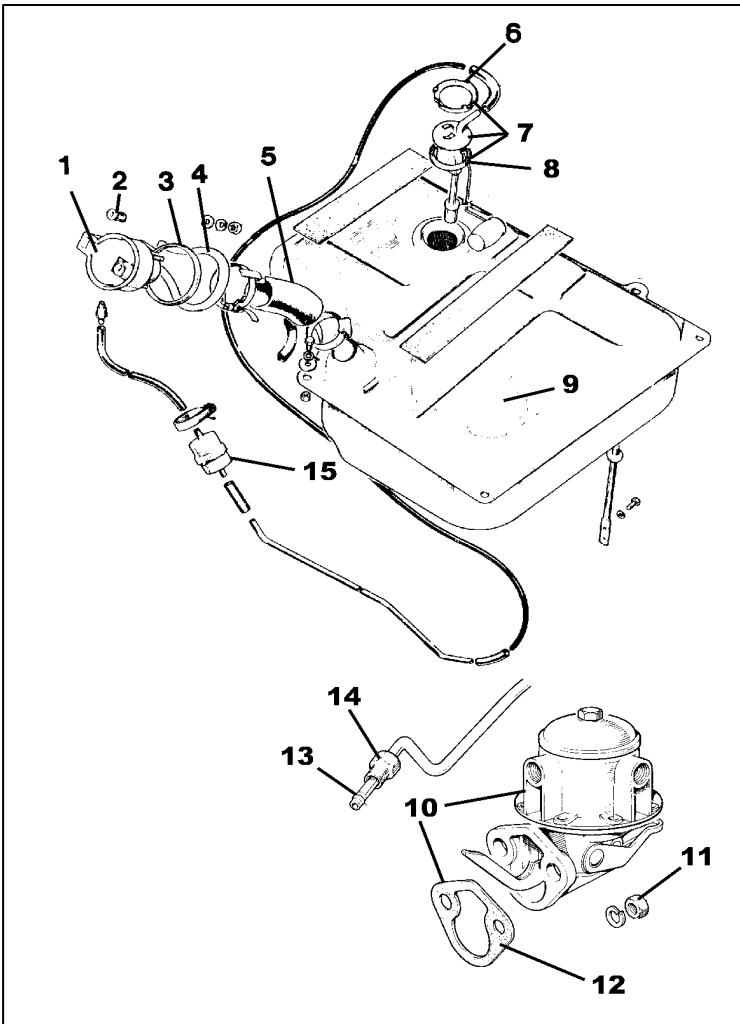
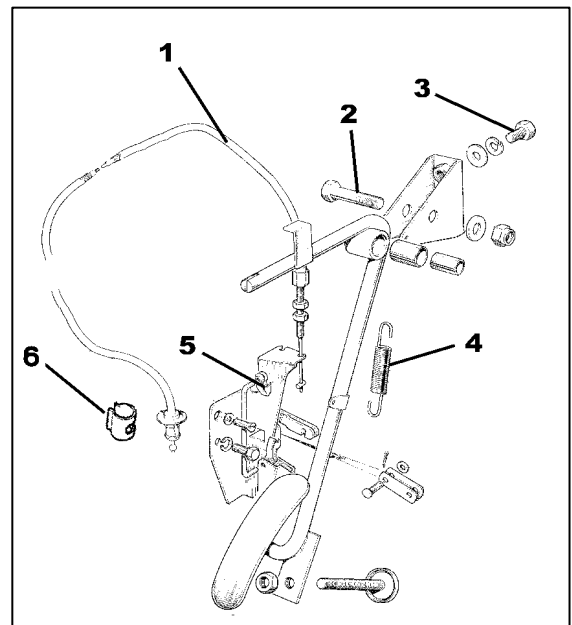
## Accelerator Linkage MK1 & MK2

1) STOP BOLT	HU0809
2) SPLIT PIN	PC009
3) BUSHING (2req)	138490
4) DOWEL	DS1312
5) RETURN SPRING	149025
6) CLIP	606698
7) CONTROL ROD	149777
8) CONNECTING LINK (improved design)	149028



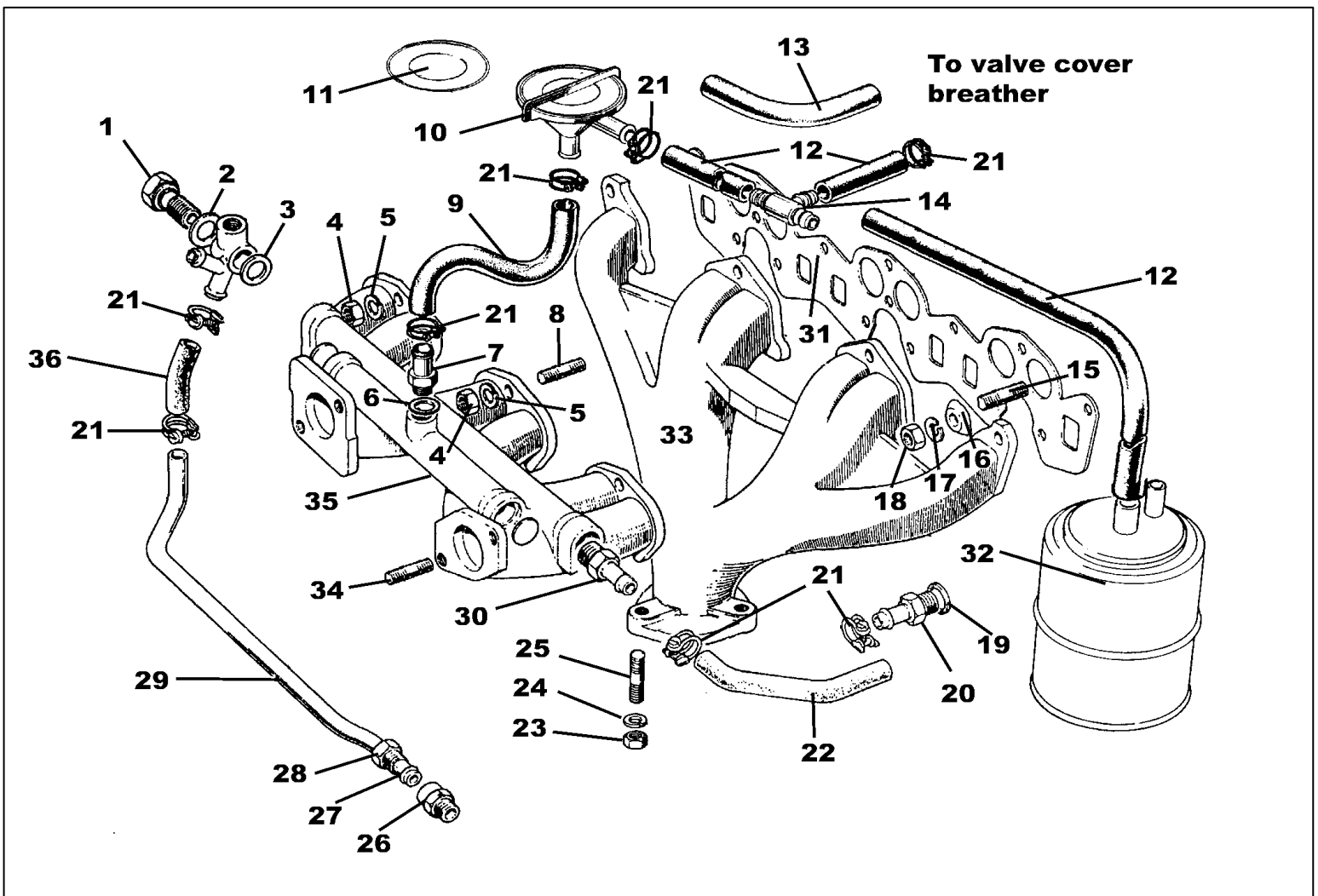
## Accelerator Control MK3

1) ACCELERATOR CABLE MK3	156353
2) BOLT, WASHER & LOCKNUT	HB812/WLN
3) BOLT, WASHER & LOCKWASHER (2req)	HU704/WLW
4) ACCELERATOR PEDAL RETURN SPRING	57950
5) CLIP (2req)	153957
6) ACCELERATOR CABLE CLIP MK3	153041



# Intake & Exhaust Manifolds

1) BANJO BOLT	145155	21) CLAMP	CS4012
2) FIBER WASHER	WF534	22) HOSE	137876
3) FIBER WASHER	WF550	23) EXHAUST FLANGE NUT MK1 (3req)	515369
4) NUT (3req)	HN2008	23) EXHAUST FLANGE NUT MK2 & 3 (3req)	108951
5) LOCK WASHER (3req)	WL208	24) WASHER MK1 (3req)	WL208
6) FIBER WASHER	WF513	24) WASHER MK2 & MK3 (3req)	WL209
7) ADAPTER	138530	25) EXHAUST STUD MK1 (3req)	101962
8) INTAKE MANIFOLD STUD (2req MK1,3req MK2,3)	101962	25) EXHAUST STUD MK2 & MK3 (3req)	56561
9) HOSE KC50001 - KF10001	156876	26) ADAPTER	101343
10) EMISSION VALVE KC50001 - KF10001	151658	27) OLIVE	TL11
11) DIAPHRAGM FOR EC VALVE	27H7758	28) SLEEVE NUT	101302
12) HOSE MK3 (sold by the foot)	154213-20	29) WATER PIPE STAINLESS STEEL	217467SS
13) E.C.V HOSE to VALVE COVER KC50001 - 1970	143323	30) ADAPTER	138810
14) T FITTING MK3 to KF10001 (1req)	154211	31) EXHAUST GASKET MK1	AJM613
14) T FITTING MK3 from KF10001 (2req)	154211	31) EXHAUST GASKET MK2 & MK3	GEG682
MANIFOLD MOUNTING BOLT MK1 (6req)	HB913	32) CARBON CANISTER 1971-1973	TKC1331
15) MANIFOLD STUD INNER (6req MK2,3)	105125	33) EXHAUST MANIFOLD MK1	306483/U
15) MANIFOLD STUD OUTER (2req MK1,4req MK2,3)	105124	33) EXHAUST MANIFOLD MK2 & MK3	308290/U
16) MANIFOLD CLAMP MK2 & MK3 (6req)	58258	34) CARBURETOR MOUNTING STUD (4req)	129383
17) LOCK WASHER (10req)	WL209	35) INTAKE MANIFOLD	
18) NUT (10req)	100498	36) HOSE MK1 & MK2	140986
19) WASHER	WF524	36) HOSE MK3	149699
20) ADAPTER	138530		

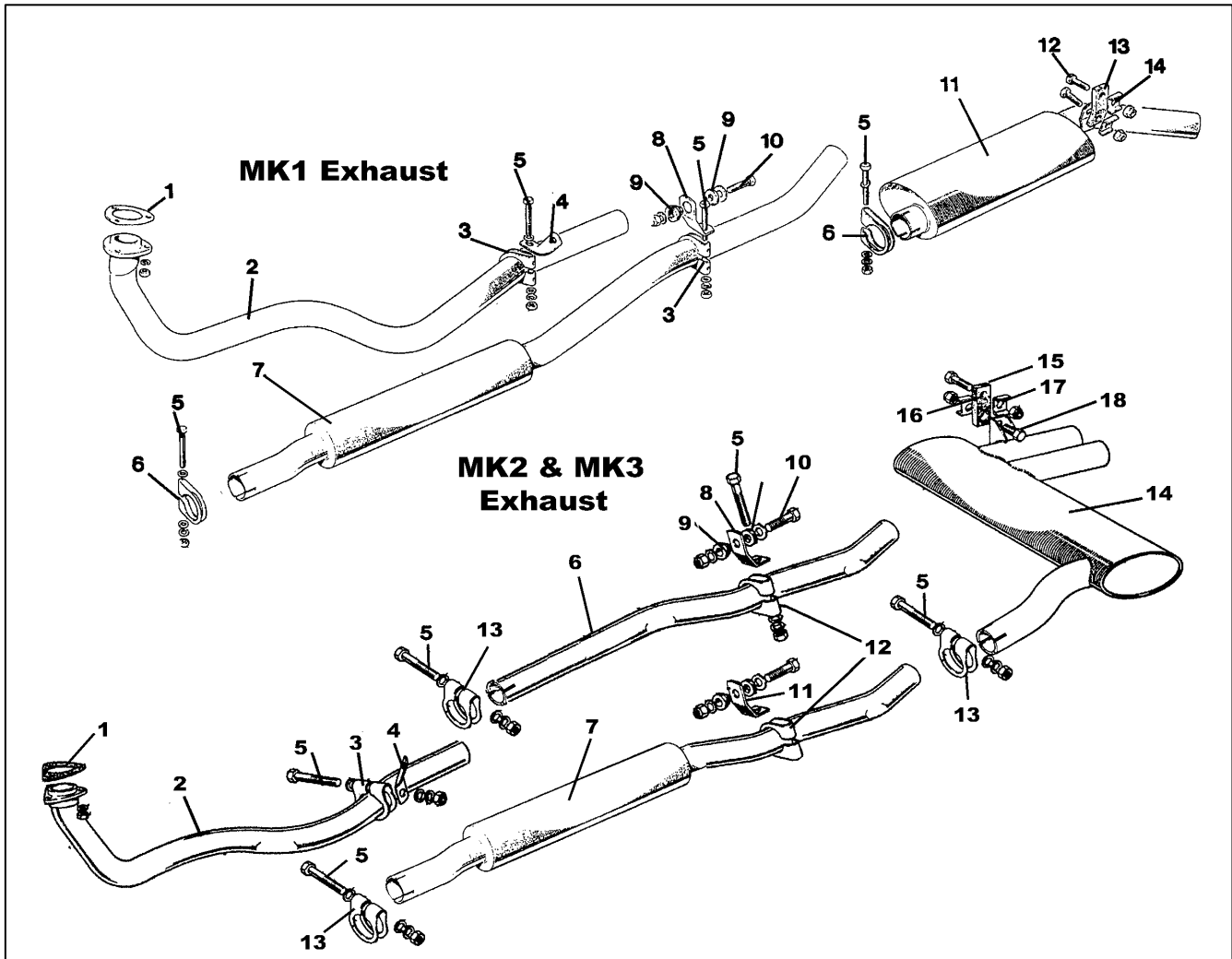


## Exhaust System MK1

1) GASKET	GEG701	8) EXHAUST BRACKET	GEX7496
1a) EXHAUST FLANGE NUT (3req)	515369	9) GROMMET STEPPED & FLAT	GEX7329/30
1b) WASHER (3req)	WL208	10) BOLT, LOCK NUT AND WASHER	EHDW3
2) FRONT PIPE STAINLESS STEEL	BSTH61	11) REAR MUFFLER STAINLESS STEEL	BSTH67
3) CLAMP	GEX7509	12) BOLT, LOCK NUT AND WASHER (2req)	EHDW 2
4) FRONT BRACKET	146163	13) HANGER STRAP (with two metal sleeves)	GEX7359S
5) BOLT, NUT AND WASHERS	EHDW1	14) HANGER PLATE (2req)	105290
6) CLAMP	GEX7506		
7) INTERMEDIATE PIPE STAINLESS STEEL	BSTH62		

## Exhaust System MK2 & MK3

1) GASKET	GEG718	12) CLAMP	GEX7499
2) FRONT PIPE MK2 & MK3 STAINLESS STEEL	TH123	13) CLAMP	GEX7500
3) CLAMP (not english type)	GEX7499	14) REAR MUFFLER MK2	GEX3403
4) FRONT BRACKET	151343	14) REAR MUFFLER MK2 STAINLESS STEEL	BSTH88
5) BOLT LOCK NUT & WASHER	EHDW1	14) REAR MUFFLER MK3	GEX3483
6) INTERMEDIATE PIPE MK2 STAINLESS STEEL	BSTH87	14) REAR MUFFLER MK3 STAINLESS STEEL	TH124
7) INTERMEDIATE PIPE MK3 STAINLESS STEEL	TH130	15) HANGER STRAP (2req)	GEX7359
8) EXHAUST BRACKET MK2	GEX7496	16) SLEEVE (4req)	155249
9) GROMMET STEPPED & FLAT	GEX7329/30	17) HANGER PLATE (4req)	105290
10) BOLT, LOCK NUT AND WASHER	EHDW 3	18) BOLT, NUT AND WASHERS (4req)	EHDW2
11) EXHAUST BRACKET MK3	156660		



## Stainless Steel Systems

STD MK1 GT6 EXHAUST SYSTEM	BSSTH012
SPORT SYSTEM MK1 GT6 (Bell Exhausts)	BSSTH112
STD MK2 GT6 EXHAUST SYSTEM (Bell Exhausts)	BSSTH013
SPORT SYSTEM MK2 AND MK3 GT6 (Bell Exhausts)	BSSTH114
STD MK3 GT6 SYSTEM (Double "S" Exhaust)	TH014

## Sports Exhaust Installation Hardware

SPORTS SYSTEM INSTALL KIT MK1 GT6 (clamps and f	BSIK1
SPORTS SYSTEM INSTALL KIT MK2 & MK3 GT6 (clamps	BSIK2

## Stainless Header Pipes

STAINLESS HEADER MK1	SSHG1
STAINLESS HEADER MK2 & MK3	SSHG2/3

### Bell MK2 & MK3 Stainless Header



### Bell Sports System





## Water Pump & Housing

1) HOUSING BOLT (2req)	HB812
2) THERMOSTAT HOUSING	212971
3) THERMOSTAT GASKET	GTG103
4) THERMOSTAT 160	GTS102
4) THERMOSTAT 180	GTS104
4) THERMOSTAT 190	GTS106
5) WATER PUMP HOUSING GASKET	138792
6) TEMPERATURE SENDER	GTR110
7) ALLOY WATER PUMP HOUSING	307095A
8) HOUSING BOLT & LOCK WASHER LONG	HB825
8) HOUSING BOLT & LOCK WASHER INTERMEDIATE	HB819
8) HOUSING BOLT & LOCK WASHER SHORT	HB818
10) WATER PUMP STUD (3req)	101962
11) NUT & LOCK WASHER (3req)	HN2008/LW
12) WATER PUMP GASKET	138701
13) WATER PUMP	GWP201
14) FAN BELT MK1 up to KC7,905E	QBA1150
14) FAN BELT MK1 from KC7,906E	QBA1088
14) FAN BELT MK2 GT6	QBA1125
14) FAN BELT MK3 GT6	QBA1150

## Radiator, Hoses & Overflow

1) BOTTOM HOSE	GRH513
2) BOTTOM HOSE CLAMPS (2req)	CS4025
3) MOUNTING BOLTS & WASHERS (4req)	HU805/LW
4) BLEED HOSE	GRH553
5) BLEED HOSE CLAMP (2req)	CS4017
6) RADIATOR UPRATED (5 row)	312319
7) TOP HOSE CLAMPS (2req)	CS4025
8) TOP HOSE	GRH533
9) RADIATOR CAP 13lbs	GRC114
9) RADIATOR CAP 7lbs	GRC112
10) RADIATOR COWL	RC1645A
11) SCREW (2req)	GHF425
12) SPIRE CLIP (2req)	FU2566
13) OVERFLOW PIPE (sold by the foot)	141475
14) OVERFLOW BOTTLE CAP GROMMET	616925
15) OVERFLOW BOTTLE CAP	137743
16) OVERFLOW BOTTLE	137632
17) BOTTLE BRACKET (replacement)	141606
18) BOLT, WASHERS AND NUT (2req)	HU704/WN

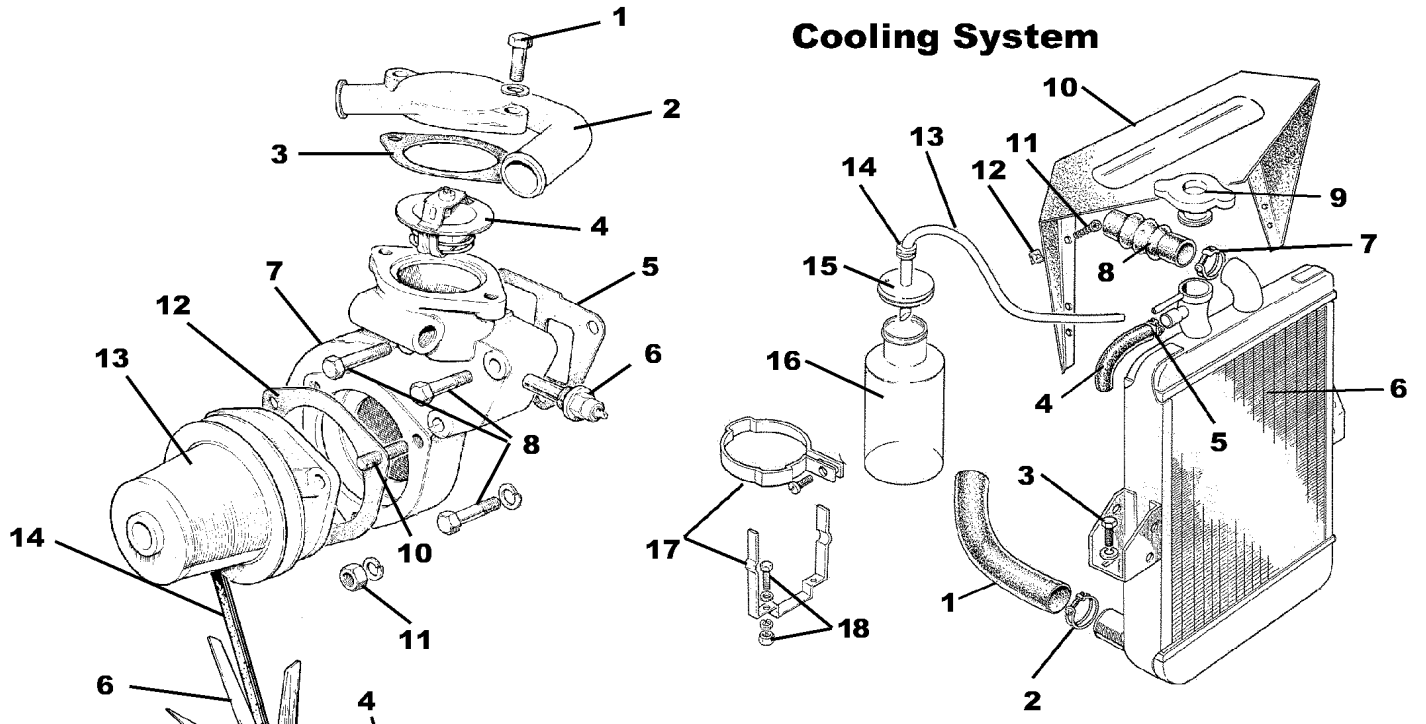
## Cooling Fan

1) FAN ATTACHMENT BOLT (4req)	HB809
2) TAB WASHER (2req) MK3 up to KF10000E	107857
3) WASHER (4req) MK3 up to KF10000E	WP8
4) FAN BUSH (8req) MK3 up to KF10000E	108496
5) FAN SLEEVE (4req) MK3 up to KF10000E	108499
6) PLASTIC COOLING FAN standard 8 blade	308353

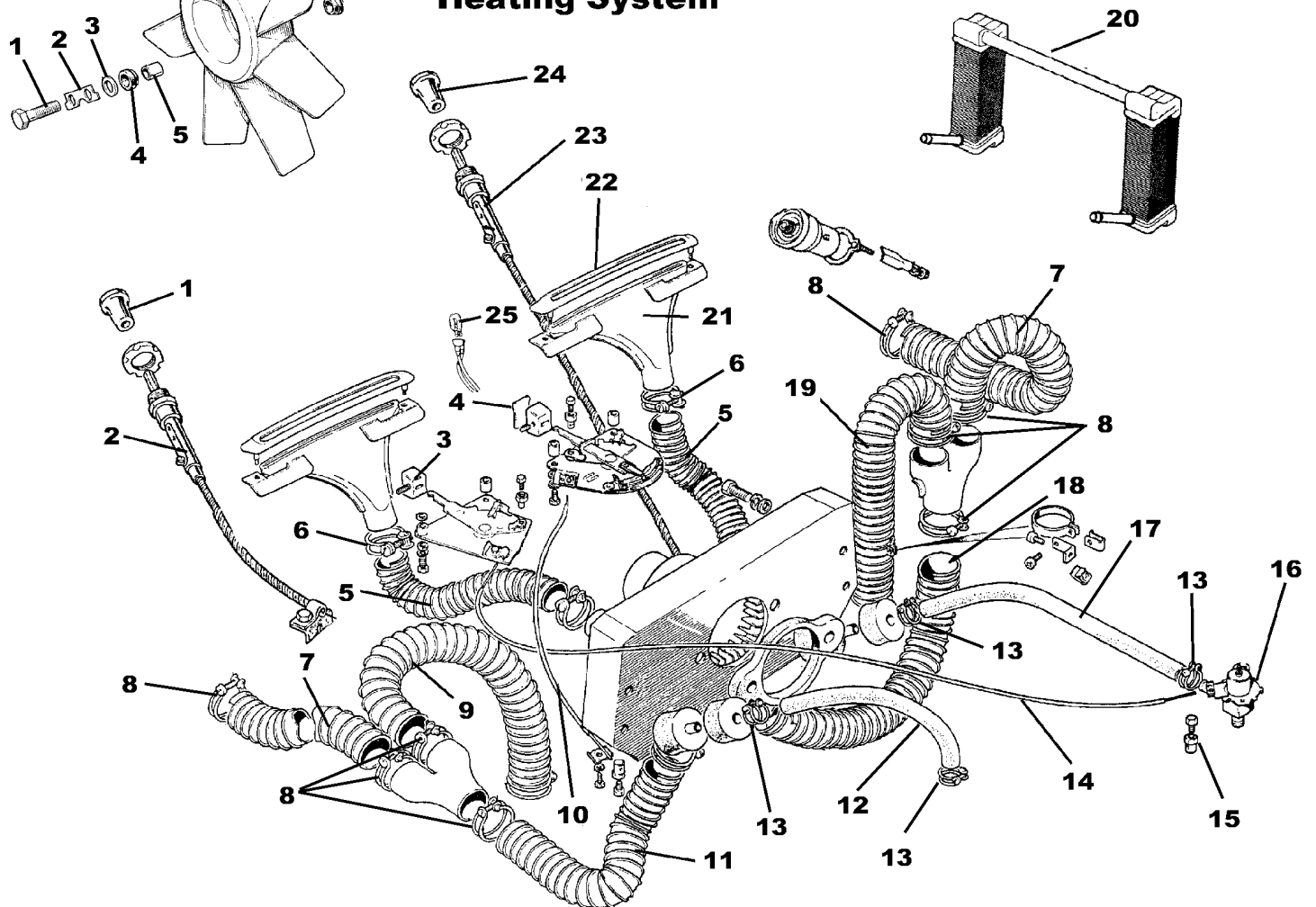
## Heating

1) HEATER KNOB MK1	704884	17) HOSE VALVE TO HEATER	152523
2) HEATER VALVE CABLE MK1	619845	<i>above hose is for cars without Servo Assist</i>	
3) HEATER KNOB MK2 & MK3	622228	17) HOSE HEATER VALVE TO HEATER (se	159360
4) LABEL	624276	<i>above hose is for cars with Servo Assist</i>	
5) HOSE HEATER TO DEMIST	602638	18) HOSE HEATER TO LH Y PIECE	614345
6) HOSE CLAMP 11/2" (4req)	CS4027	19) HOSE LH FOOT VENT	614347
7) HOSE RH & LH VENT MK2 & MK3	614337	20) HEATER CORE	910501M
8) HOSE CLAMP 13/4" (12req)	CS4029	21) NOZZLE	714434
9) HOSE RH FOOT VENT	614337	22) DEMISTER VENT (USED)	622812/USE
10) HEATER CONTROL CABLE MK2 & MK3	624193	23) HEATER VALVE CONTROL CABLE MK1	1619844
11) HOSE HEATER TO RH Y PIECE	614337	24) HEATER CONTROL KNOB MK1	704881
12) HEATER HOSE TO BANJO	GRH812	25) BULB MK3 from KF20,001	GLB286
13) HOSE CLAMP	CS4012		
14) HEATER VALVE CABLE MK2 & MK3	630480		
15) CABLE TRUNNION	609123		
16) HEATER VALVE MK1 & MK2	619854		
16) HEATER VALVE MK3	724022		

## Cooling System



## Heating System



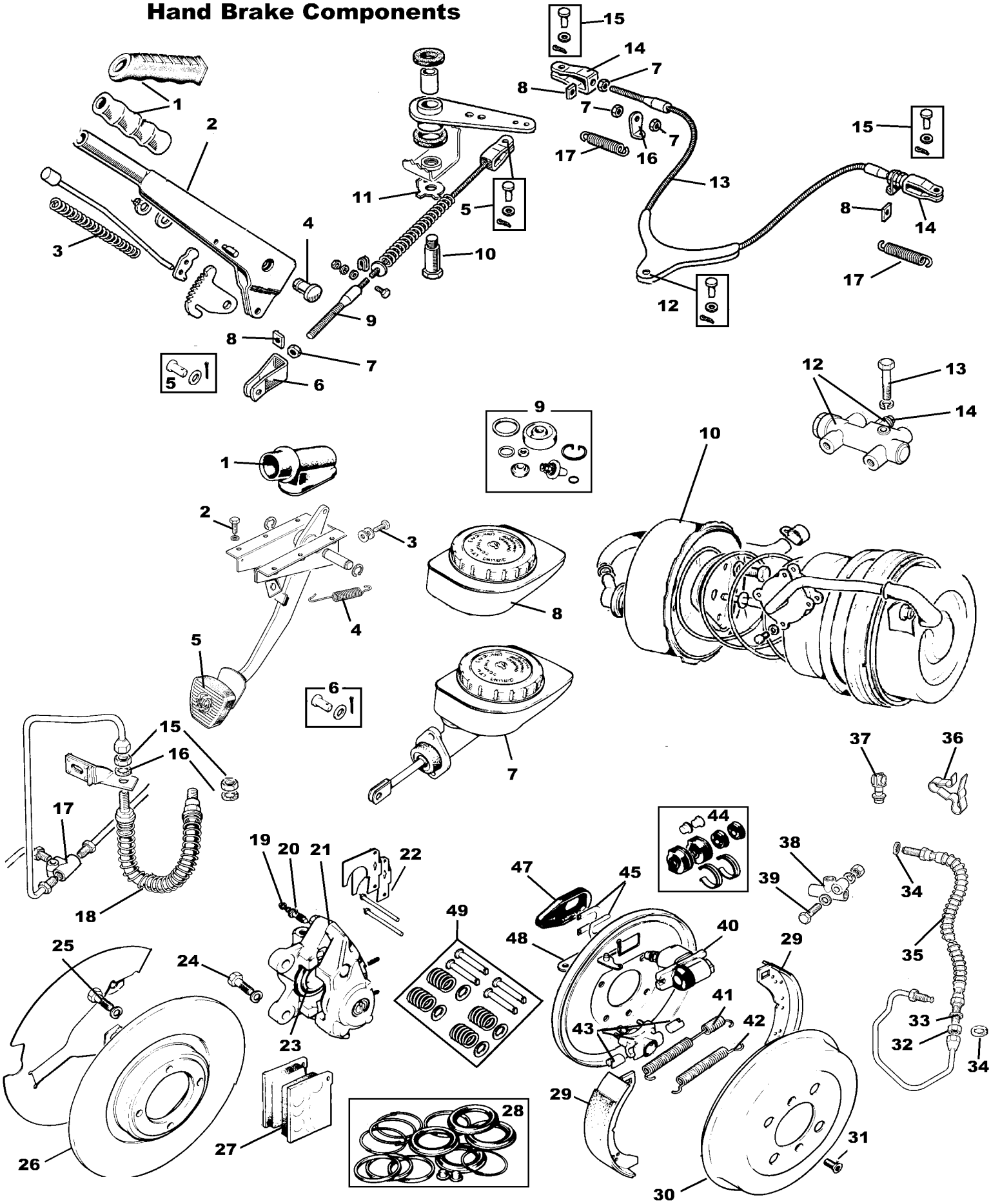
## Hand Brake

1) GRIP HANDLE MK1-MK2	131312	11) TAB WASHER	121758
1) GRIP HANDLE MK3 up to KF20,140	152016	12) CLEVIS PIN, WASHER & SPLIT PIN	PJ8806
1) GRIP HANDLE MK3 from KF20,141	UKC3918	13) REAR CABLE MK1	133915
2) LEVER ASSEMBLY	132586	13) REAR CABLE MK2-MK3 up to KF20,000	149353
3) SPRING	104740	13) REAR CABLE MK3 from KF20001	159848
4) FULCRUM PIN	104743	14) FORK END (2req)	104749
5) CLEVIS PIN, WASHER & SPLIT PIN	104750/KIT	15) CLEVIS PIN, WASHER & SPLIT PIN (2req)	104750/KIT
6) CLEVIS FORK	104749	16) SPRING ANCHOR PLATE (2req)	131807
7) JAM NUT (6req)	JN2107	17) RETURN SPRING (2req)	131806
8) SQUARE NUT (3req)	NQ2707		
9) FRONT CABLE	121766		
10) PIVOT PIN	121759		

## Brakes

1) DUST BOOT	125217	26) CROSS DRILLED ROTOR (2req)	BDC63D
2) BOLT & LOCK WASHER (6req)	HU706 / LW	27) CERAMIC BRAKE PADS up to KF12390	GP81/MM
3) BOLT & 2 WASHERS (2req)	HU706 / W	27) CERAMIC BRAKE PADS from KF12391	GP283/MM
4) BRAKE PEDAL RETURN SPRING	114438	28) CALIPER REBUILD KIT up to KC56077 ( SP2501	
5) PEDAL PAD MK1 & MK2 with letter "T" (2req)	122289	28) CALIPER REBUILD KIT from KC56078 (1SP2589	
5) PEDAL PAD MK3 (2req)	150881	29) BRAKE SHOE KIT up to KF20000	GBS750
6) CLEVIS PIN, WASHER & SPLIT PIN (2req)	PJ8808/KIT	29) BRAKE SHOE KIT from KF20001	GBS746
7) REPLACEMENT MASTER CYLINDER up to KF20000	213690/X	30) BRAKE DRUM up to KF20000 (2req)	203077
<b>Note:</b> above master cylinder has a .7" bore and is made by TRW		30) BRAKE DRUM from KF20001 (2req)	215754
7) MASTER CYLINDER from KF20001	218947	31) SCREW (4req)	V5435
8) BRAKE MASTER CYLINDER RESERVOIR	517333	32) JAM NUT	516614
8) MK1 MASTER CYLINDER SINGLE not illustrated	PNC109	33) STAR WASHER 3/8"	GHF323
9) REBUILD KIT FOR ORIGINAL SINGLE MASTER CYL	SP2172	34) COPPER WASHER	107072
9) REBUILD KIT DUAL 1968-1972 .75"	SP2407A	35) REAR BRAKE HOSE RH & LH MK1 (2req)	GBH175
9) REBUILD KIT MK3 after KF20001	GWP128	35) BRAKE HOSE RH MK2 & 3 ROTO (1req)	GBH203
10) BRAKE SERVO ( Replacement)	LE72696X	35) BRAKE HOSE LH MK2 & 3 ROTO (1req)	GBH204
<b>Note:</b> above brake servo works on the front brakes as original.		35) BRAKE HOSE MK3 KF20001 on (2req)	GBH166
12) PDWA ASSEMBLY WITH SWITCH	TKC2449	36) CLIP BRAKE PIPES	59191
13) BOLT & LOCK WASHER	HB711/LW	37) CLIP SINGLE	GHF1192
14) PDWA SWITCH	AAU1700A	38) 3 WAY BRAKE LINE UNION	136908
15) BRAKE HOSE JAM NUT (2req)	516614	39) BOLT NUT & WASHER	HB710
16) STAR WASHER 3/8" (2req)	GHF323	40) WHEEL CYL MK1 to KC7278 (2req)	GWC1208
17) 3 WAY BRAKE LINE UNION	136908	40) WHEEL CYL MK1 KC7279 - MK2 (2req)	GWC1202
17) 4 WAY BRAKE LINE UNION EARLY MK1	565719	40) WHEEL CYL MK3 up to KF20000 (2req)	GWC1110
18) FRONT BRAKE HOSE (2req)	GBH176	40) WHEEL CYL PAIR MK3 from KF20001	GWC1501A
19) BLEED SCREW DUST CAP (2req)	105676	41) UPPER SPRING up to KF20000 (2req)	105689
20) BLEED SCREW (2req)	601959	41) UPPER SPRING KF20001 on (2req)	519802
21) CALIPER ASSEMBLY RH NEW	27H2988	42) LOWER SPRING up to KF20000 (2req)	105690
21) CALIPER ASSEMBLY LH NEW	27H2989	42) LOWER SPRING KF20001 on (2req)	519801
22) ANTI SQUEAL KIT up to KF12390 (1/4" pins )	SP2750	43) ADJUSTER up to KF20000 (2req)	519762
22) ANTI SQUEAL KIT from KF12391 ( 3/16" pins )	SP2751	44) REPAIR KIT 3/4 bore to KC7278	SP2027
23) CALIPER PISTON P TYPE CALIPER (4req)	510792	44) REPAIR KIT 5/8 bore KC7279 & all MK2	SP2074
23) CALIPER PISTON PB TYPE CALIPER (4req)	518258	44) REPAIR KIT MK3 to KF20000 11/16 bore	SP2087
24) CALIPER MOUNTING BOLT (4req)	132439	44) REPAIR KIT KF20001 on 7/8 bore	SP2358
24) CALIPER BOLT for PB METRIC CALIPERS (4req)	158713	45) WHEEL CYLINDER CLIP KIT (all 4 piece)	SP2861
25) BRAKE ROTOR MOUNTING BOLT (8req)	113150	47) DUST COVER to KF20000 (2req)	120139
26) ROTOR STOCK (2req)	213227	47) DUST COVER from KF20001 (2req)	519695
27) BRAKE PADS STOCK up to KF12390	GP81	48) OPERATING LEVER to KF20000 (2req)	123135
27) BRAKE PADS STOCK from KF12391	GP283	49) PIN & SPRING KIT	SBK645

# Hand Brake Components





## Rear Brake Kits

REAR BRAKE KIT MK1 GT6

REAR BRAKE KIT MK2 & MK3 up to KF20,001

**Note:** not for the 1973 Car.

SBBK5

SBBK5a



## Stainless Steel Brake Hoses

STAINLESS BRAKE HOSE KIT MK1

SSBHK3

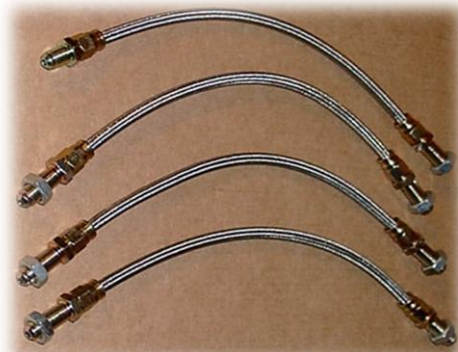
**Note:** above kit fits all MK1 GT6

STAINLESS BRAKE HOSE KIT MK2/3 rotofle SSBHK4

**Note:** above kit fits all MK2 and MK3 up to KF20,000

STAINLESS BRAKE HOSE KIT MK3 non rotc SSBHK5

**Note:** above kit fits all MK3 from KF20,001



## Brake Tools & Brake Fluid

BRAKE ADJUSTING WRENCH

CASTROL BRAKE FLUID 1 LITRE

SBT1004

GBF303



## Copper Nickel Brake Line Kits

COPPER BRAKE LINE KIT MK1 SINGLE SYGL6223

**Note:** above kit fits all single system MK1 GT6

COPPER BRAKE LINE KIT MK2 & 3 rotoflex GL6224

**Note:** above kit fits all MK2 and MK3 up to KF20,000

COPPER BRAKE LINE KIT MK3 non rotoflex GL6225

**Note:** above kit fits all MK3 from KF20,001

## Brake Booster

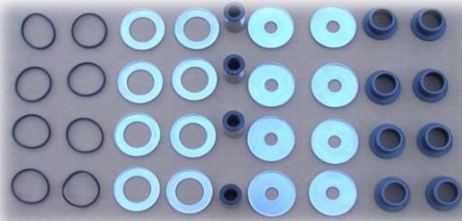
SERVO BRAKE BOOSTER KIT

LE72696X



## Rear Suspension MK2 & MK3 up to KF20,000

1) DRIVE FLANGE BOLT & LOCK NUT (16req)	132023/LN
2) DRIVE FLANGE (2req)	37H4973
3) U JOINT (2req)	HS150
3) U JOINT (2req) "hardy spicer"	GUJ101
4) DRIVESHAFT INNER (2req)	214623
5) WOODRUFF KEY (2req)	104581
6) SPRING THRUST BUTTON (8req)	114006
7) BUMP STOP (2req)	150583
8) ROTOFLEX BOLT LONG (6req)	144588
8) ROTOFLEX BOLT SHORT (6req)	141850
9) INNER WHEEL BEARING SEAL (2req)	GHS125
10) WHEEL BEARING KIT (2req)	GHK1528
11) AXLE SHAFT LOCK NUT (2req)	510618
12) WASHER (2req)	142333
13) HUB ASSEMBLY USED (2req)	149051/USED
14) WHEEL STUD (16req)	158729
15) BEARING SHIM .143	152485
15) BEARING SHIM .148	152486
16) OUTER WHEEL BEARING SEAL (2req)	GHS130
17) VERTICAL LINK RH USED	308437USED
17) VERTICAL LINK LH USED	308438USED
18) BOLT WASHER & LOCK NUT (2req)	SHDW7
19) SPRING BUSH (2req)	C8939
20) LEAF SPRING	308499
21) KYB GAS SHOCK ABSORBER (2req)	GSA280
21) SPAX SHOCK ABSORBER (2req)	G464
21) GAZ SHOCK ABSORBER	GT4-2273
22) POLYURETHANE REAR WISHBONE BUSH KIT	BAC18
23) RADIUS BRACKET RH	148975
23) RADIUS BRACKET LH	148976
24) BOLT, WASHERS & LOCKNUT (2 req)	SHDW9
25) POLYURETHANE SHOCK BUSH KIT	BAC19
26) COMPLETE TRUNNION KIT shown below (1req)	148940KIT



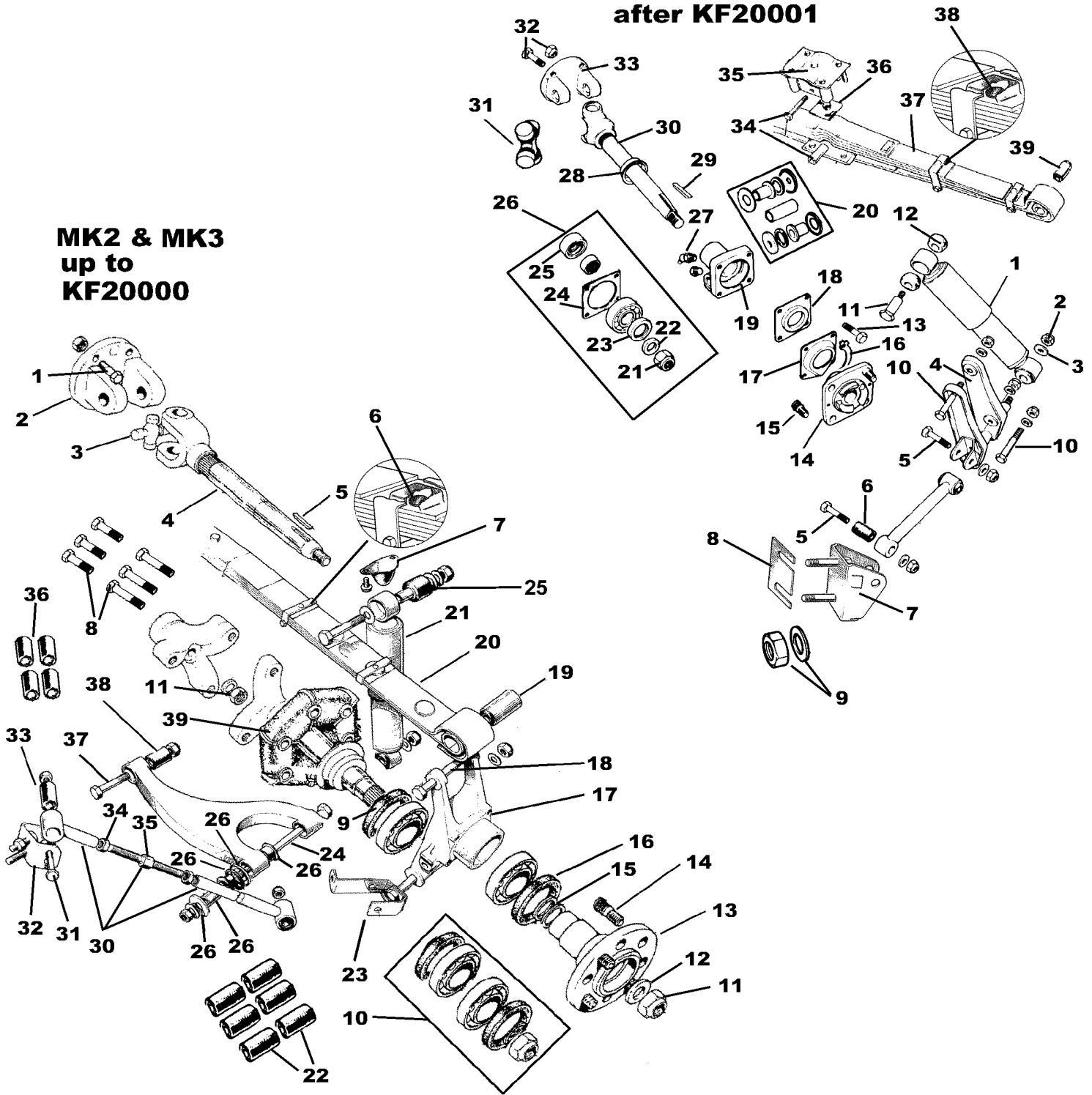
30) RADIUS ARM ASSEMBLY (2 req)	151092
31) BOLT, WASHER & LOCK NUT (4 req)	SHDW2
32) PIVOT BRACKET (2 req)	148963
33) RADIUS ARM BUSH (4 req)	119450
34) JAM NUT RH THREAD (2 req)	128022
34) JAM NUT LH THREAD (2 req)	151110
35) ADJUSTER WITH NUTS (2 req)	151099
36) POLYURETHANE RADIUS ARM BUSH KIT	BAC17
37) BOLT & LOCK /NUT (2 req)	SHDW8
38) WISHBONE INNER BUSH (2 req)	548208
39) ROTOFLEX COUPLING (2req)	QL8000

## Rear Suspension MK1 & MK3 from KF20,001

1) REAR STD SHOCK ABSORBER (2req)	GSA385
1) SPAX ADJUSTABLE SHOCK (2req)	G211
1) GAZ SHOCK ABSORBER	GT4-2270
2) LOCK NUT (2req)	YN2910
3) THICK WASHER (2req)	WM69
4) VERTICAL LINK RH NEW	132763
4) VERTICAL LINK RH RECONDITIONED	132763REC
4) VERTICAL LINK LH NEW	132764
4) VERTICAL LINK LH RECONDITIONED	132764REC
5) BOLT WASHER & LOCK NUT (4req)	SHDW4
6) RADIUS ARM BUSH SMALL (2req)	119451
6) RADIUS ARM BUSH LARGE (2req)	146321
7) RADIUS ARM BRACKET LH	159840
7) RADIUS ARM BRACKET RH	159841
8) RADIUS ARM ADJUSTING SHIM	133070
9) LOCK NUT & WASHER WP9 (4req)	YN2909/W
10) BOLT WASHER & LOCK NUT (4req)	SHDW5
11) BOLT WASHER & LOCK NUT (2req)	SHDW6
12) SHOCK BUSH (8req)	102987
12) POLYURETHANE SHOCK KIT (1req)	BAC19
13) BOLT (8req)	HU807
14) DRIVE FLANGE WITH STUDS (2req)	131567
15) WHEEL STUD (16req)	158729
16) INNER HUB TAB WASHER (4req)	121860
17) GREASE SHIELD (2req)	104582
18) HOUSING OIL SEAL (2req)	104773
19) HUB USED (2req)	204226USEI
20) REAR TRUNNION KIT (2 req)	QSK151
21) AXLE SHAFT LOCK NUT	510618
22) WASHER (2req) not included with #26	142333
23) OUTER HUB SEAL (2req)	GHS111
24) GASKET (2req)	GFG117
25) INNER HUB SEAL (2req)	128978
26) WHEEL BEARING KIT (2req) #22 not incl	GHK1029
27) GREASE FITTING (2req)	56935
28) OIL FLINGER (2req)	128469
29) WOODRUFF KEY	104581
30) HALF SHAFT MK3 (2req)	155928
30) HALF SHAFT MK1 (2req)	129003
31) U JOINT (2req)	HS150
31) U JOINT hardy spicer (2req)	GUJ101
32) BOLT & LOCK NUT (8req)	132023/LN
33) DRIVE FLANGE (2req)	37H4973
34) SPACER, BOLT, WASHER & NUT MK3	149190KIT
35) SPRING PIVOT BOX MK3 after KF20001	159641
36) PIVOT BOX SPRING PAD MK3 KF2000	149191
37) LEAF SPRING MK1	307324
37) LEAF SPRING MK3 after KF20000	159640
38) SPRING THRUST BUTTON (8req)	114006
39) SPRING BUSH (2req)	C8939

**MK1 & MK3  
after KF20001**

**MK2 & MK3  
up to  
KF20000**



## Front Suspension

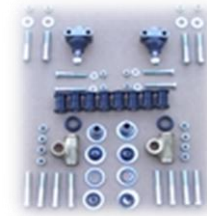
1) UPPER A ARM (4req)	119272
2) UPPER BALL JOINT (2req)	GSJ155
3) BOLT WASHER AND LOCK NUT (4req)	SHDW3
4) WISHBONE BUSH (8req)	119451
4) WISHBONE BUSH SET POLY	BAC12
5) LOCK NUT & WASHER (6req)	YN2907/W
6) SPRING TOP PLATE (2req)	122137
7) COIL SPRING STANDARD 200LBS (2req)	212425
7) COIL SPRING UPRATED 25% 1" LOWER (2req)	212425U
8) FRONT SHOCK ABSORBER (2req)	GSA267
8) SPAX SHOCK ABSORBER (2req)	G210-S
8) GAZ SHOCK ABSORBER	GSO2269
8) GAZ SHOCK ABSORBER adjustable seat	GP4-2271
9) LOWER A ARM RH	206685
9) LOWER A ARM LH	206686
10) BOLT WASHER AND LOCK NUT (4req)	SHDW2
11) MINOR TRUNNION KIT (2req)	QSK140S
12) TRUNNION LH OE	140920
12) TRUNNION RH OE	140919
13) TRUNNION SEAL (2req)	122126
14) LOWER BUSH SHOCK (2req)	119450
15) WHEEL BEARING GREASE CAP (2req)	132665
16) CASTLE NUT (2req)	LN2211
17) SPLIT PIN (2req)	PC020
18) WASHER (2req)	102690
19) WHEEL BEARING KIT (2req)	GHK1011
20) WHEEL STUD (16 req)	158729
21) STUB AXLE (2req)	132065
22) HUB SEAL (2req)	GHS146
23) ALUMINUM FRONT HUB (2req)	145007A
24) VERTICAL LINK LH	GSJ264
24) VERTICAL LINK RH	GSJ267
25) TIE ROD LEVER RH	205504
25) TIE ROD LEVER LH	205505
26) OIL NIPPLE VERTICAL LINK (2req)	LN30041
27) LOCK NUT (2req)	YN2912
28) BOLT & WASHER TOP (4req)	HU806/LW
28) BOLT SHORT BOTTOM REAR (2req)	HB910
28) BOLT AND LOCK NUT BOTTOM FRONT (2req)	HB918/LN
29) SEAL (2req)	138051
30) LOCKNUT & THICK WASHER WP9 (4req)	YN2909/TW
31) BOLT AND LOCK NUT (8req)	SHDW1
32) SHIM	122022
33) FRONT PIVOT BRACKET (2req)	130757
34) REAR PIVOT BRACKET (2req)	130758
35) UPPER BUSH SHOCK (4req)	122324A

## Front Suspension Kits & Shock Kits

FRONT SUSPENSION KIT with rubber bushe QSK88  
*Above kits includes: ball joints (2), wishbone bush (8), lower shock bush (2), trunnion (2), trunnion seal (2), trunnion kit (2), bolts & locknuts (16).*



FRONT SUSPENSION KIT (Poly Bushes) QSK88POLY  
*Above kits includes: ball joints (2), poly wishbone bush (8), trunnion (2), trunnion seal (2), trunnion kit (2), bolts & locknuts (16).*



SPAX SHOCK KIT SBK52  
*Above kit includes 2 X G210 & 2 X G211 shocks.*

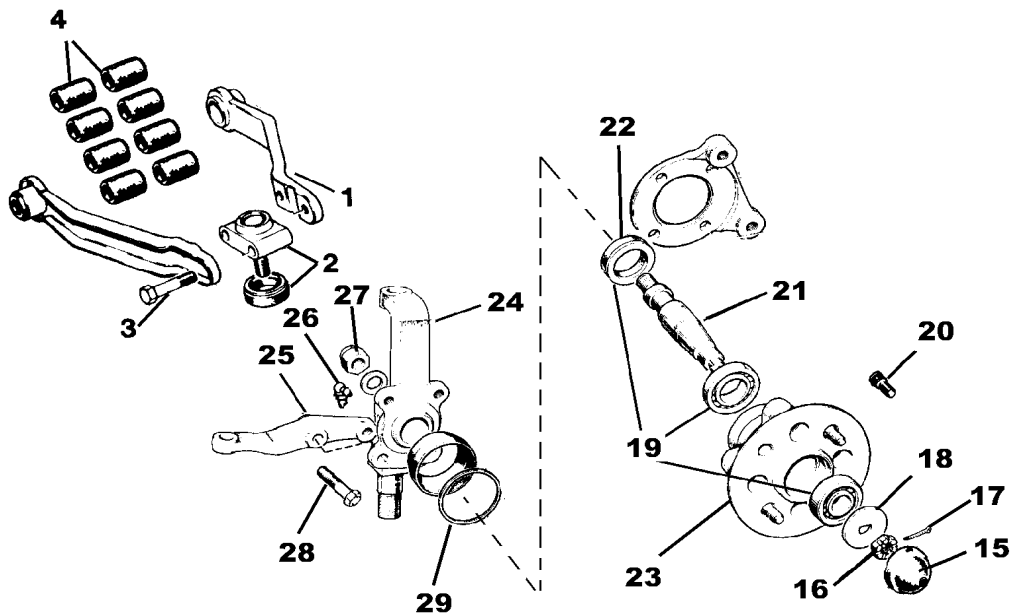
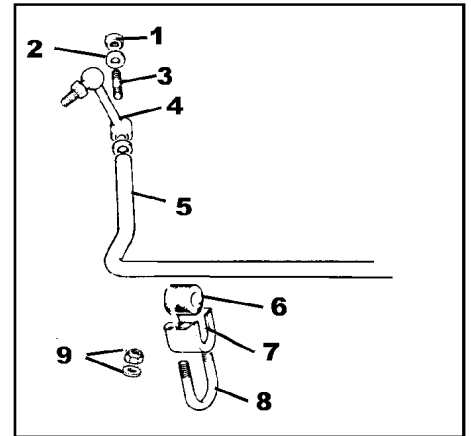
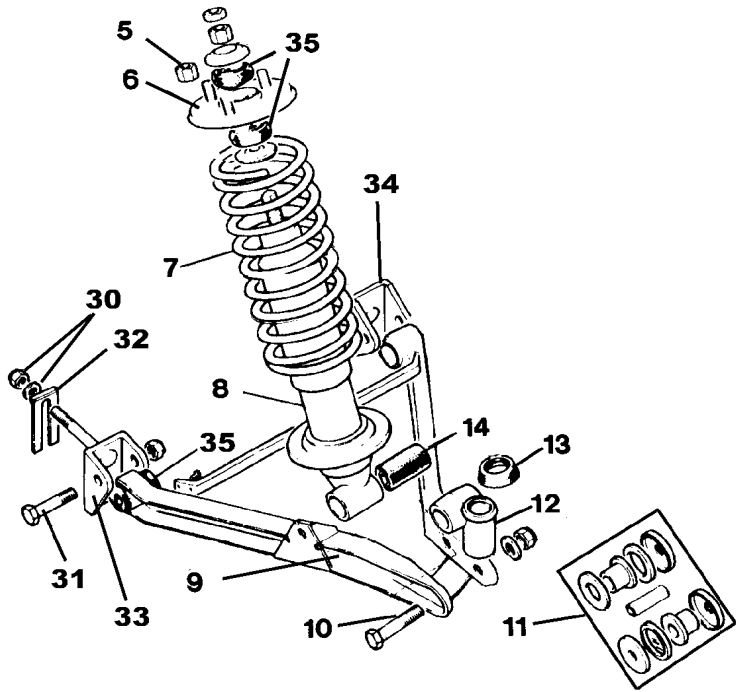
STANDARD SHOCK KIT SBK53  
*Above kit includes 2 front and 2 rear shocks.*

## Anti Sway Bar

1) LOCK NUT (2req)	YN2909
2) WASHER (2req)	WP110
3) STUD (2req)	125074
4) RIGHT HAND LINK	125481
4) LEFT HAND LINK	125482
5) ANTI SWAY BAR 7/8" MK3 from KF20001	217033
6) MOUNTING RUBBER 1966-1973 KF2000(	123998
6) MOUNTING RUBBER MK3 1973 KF20,00	155310
6) SWAY BAR KIT (POLY) 1966-73 KF2000(	BAC13/A
6) SWAY BAR KIT (POLY) MK3 from KF20,0	BAC13
7) SADDLE CLAMP 1966-73 up to KF20000 (	123502
7) SADDLE CLAMP from 1973 KF20,001 (2r	155308
8) U BOLT 1966-1973 KF20,000 (2req)	123694
8) U BOLT MK3 from KF20,001 on (2req)	155307
9) LOCK NUT & WASHER (4req)	YN2908/W

# Front Suspension

# Anti Sway Bar





## Rebuilt Steering Rack

REBUILT STEERING RACK (\$35 Core Charge)	307831
NEW 3.75 RATIO STEERING RACK (quick rack)	307831/3.75

## Steering Rack

1) TIE ROD END (2req)	GSJ158
2) CIRCLIP	509537
3) SEAL	128021
4) PINION BUSH	127998
5) INNER TIE ROD (2req)	128023
6) SOCKET BALL JOINT (2req)	158732
7) SHIM .002"	130031
7) SHIM .010"	130032
7) SHIM .004"	153516
8) LOCK TAB (2req)	120957
9) SPRING (2req)	120953
10) STEERING RACK BOOT KIT (with clamps)	QG1010
11) RACK BOOT CABLE TIE	512781
12) BOOT CLAMP SMALL (2req)	CS4009
13) TIE ROD END JAM NUT (2 req)	128022
14) BOOT CLAMP LARGE (1req)	CS4020
15) BLANKING PLUG	145108
16) DAMPER	120946
17) CAP	132053
18) RACK MOUNT CLAMP (2req)	156024
19) RUBBER MOUNT (RACK) (2req)	139386
19) RACK MOUNT KIT (POLY) PAIR	BAC14
20) REINFORCEMENT PLATE (2req)	133875
21) LOCK NUT & PLAIN WASHER (4req)	YN2908/W
22) BUSH	128002

## Factory Wheels and Alloy Wheels

1) USED PRIMED STEEL WHEEL MK3	151539
2) WHEEL CENTER SPRING (16req) MK3	628097
3) CHROME WHEEL CENTER MK3	716181
4) LUG NUT WASHER MK3 (16req)	155753
5) LUG NUTS MK3 (16req)	155751
5) LUG NUT SET WITH WASHERS	155751 SET
6) WHEEL CENTER (GT6) MK3 (4req)	624632
7) WIRE WHEEL ADAPTER RH (2req)	142597
7) WIRE WHEEL ADAPTER LH (2req)	142598
8) ADAPTER LUG NUTS (16req)	113087
9) TWO EAR KNOCK OFF RH (2req)	107948
9) TWO EAR KNOCK OFF LH (2req)	107949
10) WIRE WHEELS PAINTED	514518/P
10) WIRE WHEELS CHROME	514518/C
11) USED PRIMED STEEL WHEEL MK1 & MK2	307405
12) NAVE PLATE (HUB CAP) MK1 & MK2 (4req)	122806
13) LUG NUTS MK1 & MK2 (16req)	113087

## Steering Column

1) WHEEL CENTER PAD MK3	156170
2) STEERING WHEEL MK3	160038
2) MOUNTNEY STEERING WHEEL & BOSH SWSW1	
2) CLASSIC WOOD STEERING WHEEL & EWSW13	
3) NUT	105438
4) WASHER	WP8027
5) SIGNAL CANCELING CLIP	140549
6) INNER STEERING COLUMN	155621
7) SHEAR BOLTS (2req)	152597
8) BRACKET	UKC894
9) GRUB SCREW	125781
10) JAM NUT	JN2110
11) PLATE	125782
12) END CAP	122718
13) WASHER	122719
14) BOLT & LOCK WASHER (2req)	HB710/LW
15) BOLT (2req)	HU704
16) BOLT WASHER & LOCK WASHER (2req)	HU705
17) BOLT, WASHERS AND NUT (2req)	HU706/WN
18) SCREW (2req)	510273
19) SPIRE CLIP (2req)	FC2803
20) SWITCH ESCUTCHEON LH 1966-1973	708479
20) SWITCH ESCUTCHEON RH NON O/D & 708479	
20) ESCUTCHEON RH O/D 1966-1970	611974
21) STEERING COLUMN BUSH (2req)	209423
22) HORN SLIP RING AND INSULATOR	608462
23) SPRING CLAMP	609639
24) FELT PAD	608223
25) NUT, WASHER & LOCK WASHER (2req)	HN2007/W
26) BOLT, WASHER & LOCK NUT (2req)	HB810/WLN
27) STEERING FLEX JOINT	142140
28) SPIRE CLIP (2req)	GHF701
29) STEERING COLUMN LOWER SEAL	613466
30) PLATE	601597
31) SCREW (2req)	AD608041
32) IGN SWITCH	39415
33) IGN LOCK	UKC2719
34) COLUMN WIRE COVER	611369

ALLOY STEERING RACK CLAMP SET SBK55



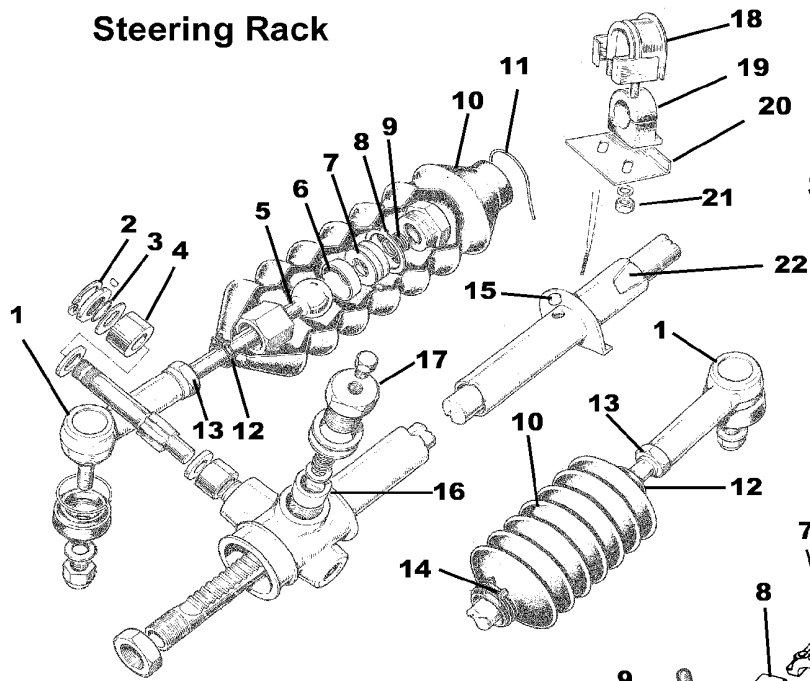
## Alloy Wheels

13" MINILITE REPLICA WHEEL SET SILVER	SBAW1
13" MINILITE REPLICA WHEEL SET GUN METAL	SBAW3
14" MINILITE REPLICA WHEEL SET (including center caps)	SBAW2
15" MINILITE REPLICA WHEEL SET SILVER	SBAW4
13" REVOLUTION WHEEL SET	SBAW5

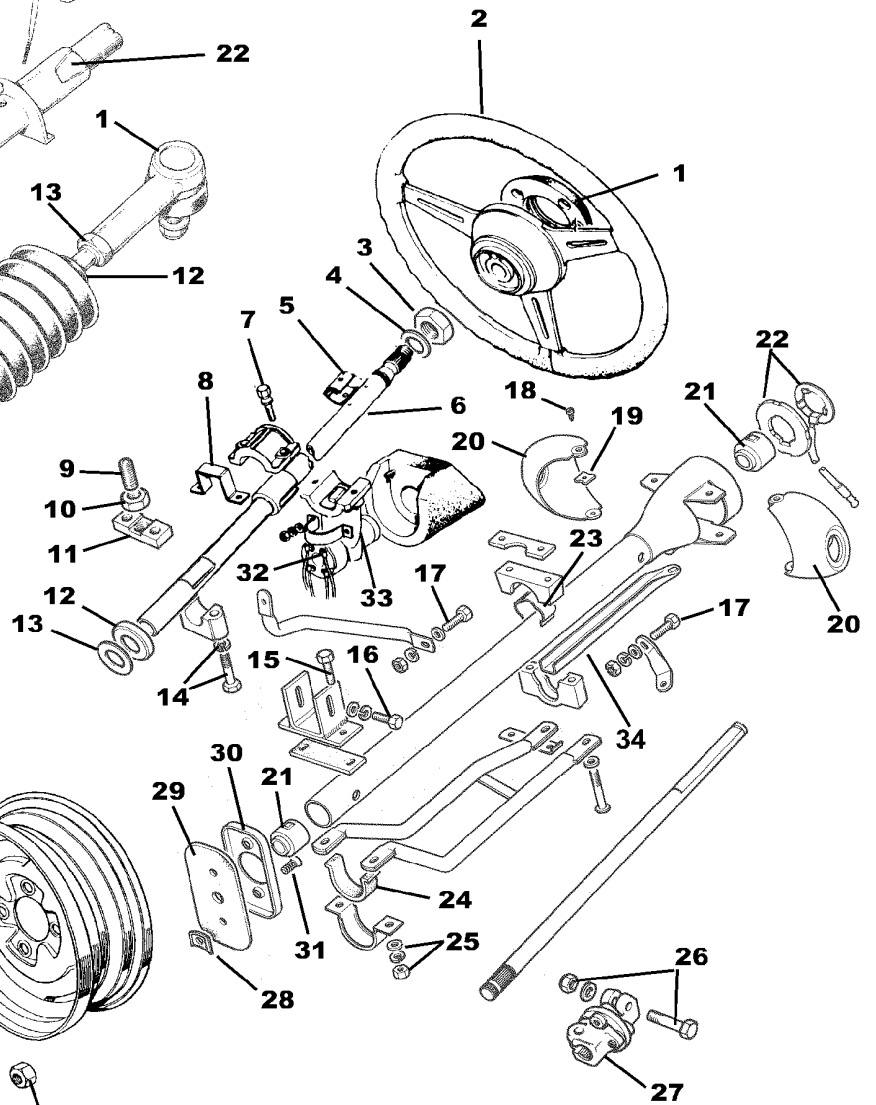
above wheels come with chrome lug nuts and center caps for 4 wheels.



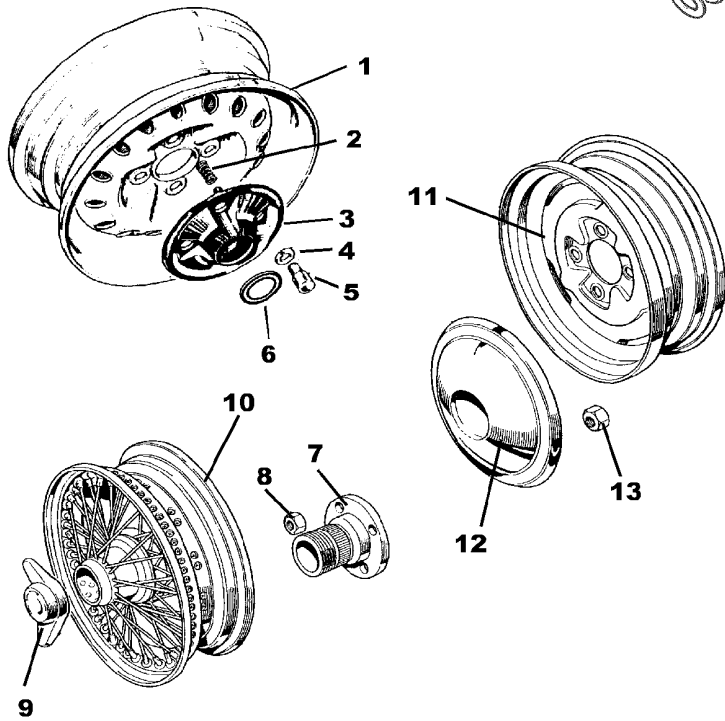
# Steering Rack



# Steering Column



# Wheels



## Front Bodywork MK1 & MK2 GT6

1) REAR BONNET SEAL	610675
2) BONNET CONE NUT & WASHER (2req)	JN2108/ W
3) BONNET CONE (2req)	612962
4) REINFORCEMENT ASSEMBLY RH	818626
4) REINFORCEMENT ASSEMBLY LH	818625
5) FRONT FENDER RH MK1	907155
5) FRONT FENDER LH MK1	907154
5) FRONT FENDER RH MK2	908114
5) FRONT FENDER LH MK2	908113
6) BONNET CATCH (2req)	607663
6a) BONNET CATCH SCREW & NUT (6req)	PX454/N
7) BONNET CATCH LATCH (2req)	607664
8) FRONT CORNER D PANEL RH	706312
8) FRONT CORNER D PANEL LH	706311
9) PANEL ASSEMBLY CLOSING GRILL RH	613598
9) PANEL ASSEMBLY CLOSING GRILL LH	613597
10) HEAD LIGHT MOUNTING LH	612873
10) HEAD LIGHT MOUNTING RH	612874
11) VALANCE BRACKET OUTER LH MK2	612829
11) VALANCE BRACKET OUTER RH MK2	612830
12) FRONT VALANCE MK1 (UPS oversize)	807136
12) FRONT VALANCE MK2 (UPS oversize)	811676
13) VALANCE MOUNTING BRACKET RH MK2	712568
13) VALANCE MOUNTING BRACKET LH MK2	712567
14) FRONT VALANCE SEAL (2req)	610676
15) ENGINE VALANCE LH	VP1643
16) ENGINE VALANCE RH	VP1642
17) NOSE PANEL REPAIR MK1 LH	903090
17) NOSE PANEL REPAIR MK1 RH	903091
18) NOSE PANEL MK2 RH	907158
18) NOSE PANEL MK2 LH	907157
19) FRONT WHEEL WELL OUTER RH	903138
19) FRONT WHEEL WELL OUTER LH	903137
20) FRONT WHEELARCH SEAL (2req)	613666
21) FRONT WHEELARCH SEAL CLIP (18req)	608520

## Door & Fender Mirrors

STAINLESS STEEL DOOR MIRROR RH	GAM213
STAINLESS STEEL DOOR MIRROR LH	GAM214
BULLET MIRROR 4.5" HEAD	HAC1528
LUCAS STYLE DOOR MIRROR (round)	GAM1001X
LUCAS STYLE FENDER MIRROR (round convex)	WM1904
USA STYLE RACING MIRROR	SBK58

## Front Bodywork Continued

22) FRONT WHEEL WELL INNER RH	TS37RH
22) FRONT WHEEL WELL INNER LH	TS37LH
24) FRONT GRILL MK2 (black plastic)	817252
23) PANEL WHEELARCH TO FENDER LH	612659
23) PANEL WHEELARCH TO FENDER RH	612660
24a) CAPTIVE NUTS (for mounting grill)	FZ3404
25) HOOD SUPPORT STAY LOWER	613751
25a) BOLT WASHERS & LOCKNUT	HB710/WLN
26) HOOD SUPPORT STAY UPPER	613045
27) HINGE TUBE RH MK2	811680
27) HINGE TUBE LH MK2	811679
28) BUSH BRACKET TO CHASSIS	621418
29) BONNET HINGE BRACKET	712726
30) HINGE TUBE PIVOT BUSH MK1	607910
30) HINGE TUBE PIVOT BUSH MK2	621419
31) GT6+ BADGE	622496
32) TRIUMPH SHIELD BADGE MK1	608380
33) (TRIUMPH) LETTER SET MK1	703862/S
34) BADGE FASTENER	GHF1532
35) BONNET LOCK KIT	562116



## Bonnet Assembly MK2

BONNET ASSEMBLY MK2	908116
---------------------	--------

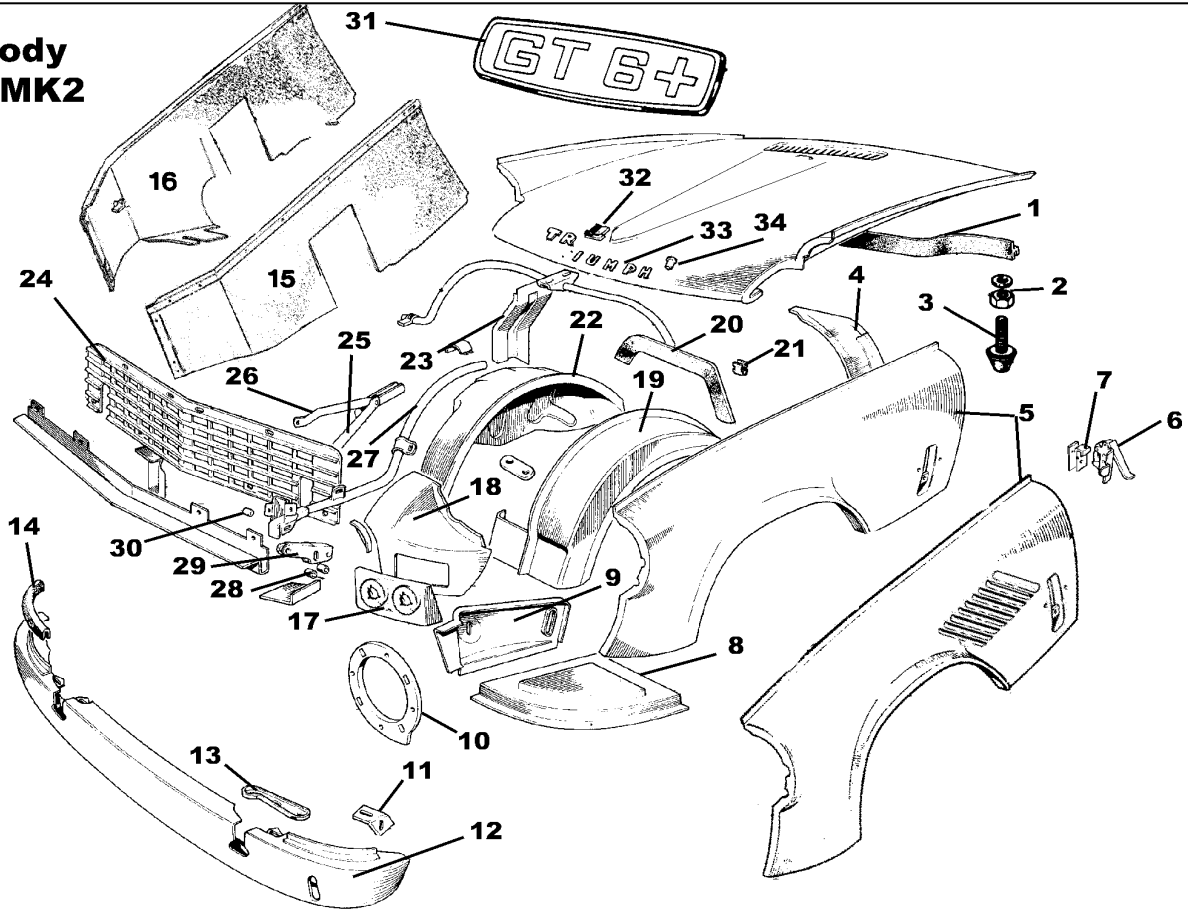
## Front Bumper & Underiders

FRONT BUMPER MK1 GT6	806956
FRONT BUMPER MK2 GT6	811660
FRONT OVERIDER MK1 RH	710717
FRONT OVERIDER MK1 LH	710716
FRONT OVERIDERS MK2 RH	712706
FRONT OVERIDERS MK2 LH	712705
OVERIDER RUBBER BUFFER MK2 (2req)	709753

**Note:** bumpers are triple plated rechromed and sold on an exchange basis.



**Front Body  
MK1 & MK2**



**Bonnet Catch**



**BL House Badge**



**Bonnet Lock Kit**





## Front Body MK3

1) BONNET CONE (2req)	612962	24) CENTER LOWER RETURN EDGE	815010
2) BONNET CONE NUT & WASHER (2req)	JN2108/ W	25) HINGE ASSEMBLY TUBE LH	911107
3) REAR BONNET SEAL	610675	25) HINGE ASSEMBLY TUBE RH	911108
4) FRONT WHEEL ARCH SEAL (2req)	613666	25a) HINGE TUBE SADDLE CLAMP (4req)	607869
5) FRONT WHEEL ARCH SEAL CLIP (18req)	608520	25b) SADDLE CLAMP BACKING PLATE (4r	607711
6) BONNET CATCH (2req)	607663	26) CENTER SUPPORT	WKC3414
7) BONNET CATCH LATCH (2req)	607664	27) GT6 MK3 BADGE	624737
8) FRONT FENDER OEM RH	909664	28) FASTENER	GHF1532
8) FRONT FENDER OEM LH	909663	30) REINFORCEMENT ASSEMBLY RH	818626
8) FRONT FENDER STEELCRAFT RH	TS32RH	30) REINFORCEMENT ASSEMBLY LH	818625
8) FRONT FENDER STEELCRAFT LH	TS32LH	35) BONNET LOCK KIT	562116
9) B L HOUSE BADGE (2req)	725525		
10) FRONT WHEEL WELL OUTER RH	TS36RH		
10) FRONT WHEEL WELL OUTER LH	TS36LH		
11) FRONT WHEEL WELL INNER LH	TS37LH		
11) FRONT WHEEL WELL INNER RH	TS37RH		
12) HINGE TUBE PIVOT BUSH (2req)	624508		
112a) BONNET MOUNTING BRKT BOLT & WASHERS	HU807/WLW		
12b) BOLT WASHERS & LOCKNUT (2req)	HU915/WLN		
13) FRONT QTR VALANCE SEAL (2req)	716200		
14) QUARTER VALANCE RH	TS31RH		
14) QUARTER VALANCE LH	TS31LH		
14a) QTR VALENCE BRACKETS & BOLTS (2req)	TS31/KIT		
14a) SCREW (2req)	521176		
14b) GRILL ENDS LH & RH MK3 1971-1972	715863/4		
15) FRONT GRILL USED	815026/USED		
16) FRONT LOWER VALANCE MK3 up to KF20000	715889		
17) FRONT SPOILER MK3 KF20001 onward	GLZ608		
18) HOOD SUPPORT STAY UPPER	613045		
19) HOOD SUPPORT STAY LOWER	613751		
19a) BOLT WASHERS & LOCKNUT	HB710/WLN		
20) OUTER HEADLAMP COVER RH	911102		
20) OUTER HEADLAMP COVER LH	911101		
21) ENGINE VALANCE LH	VP1643		
22) ENGINE VALANCE RH	VP1642		
22a) RADIATOR COWL MOUNTING SCREW (4req)	GHF425		
22b) RADIATOR COWL MOUNTING SPIRE CLIP (4req)	FU2566/4		
22c) WIRING HARNESS TO VALANCE CLIP	153227		
23) HEADLAMP MOUNT PANEL RH	TS38RH		
23) HEADLAMP MOUNT PANEL LH	TS38LH		



## Complete Bonnet Assembly

BONNET ASSEMBLY MK3 913766

## Front Bumper & Underiders

FRONT UNDERIDER RH 1971-1973	815278
FRONT UNDERIDER LH 1971-1973	815277
FRONT BUMPER MK3	WKC2543
REAR BUMPER MK3 up to KF20,001	914698RC
REAR BUMPER MK3 from KF20,001	920050RC
TRIUMPH PLINTH MK3 from KF20,001	632300



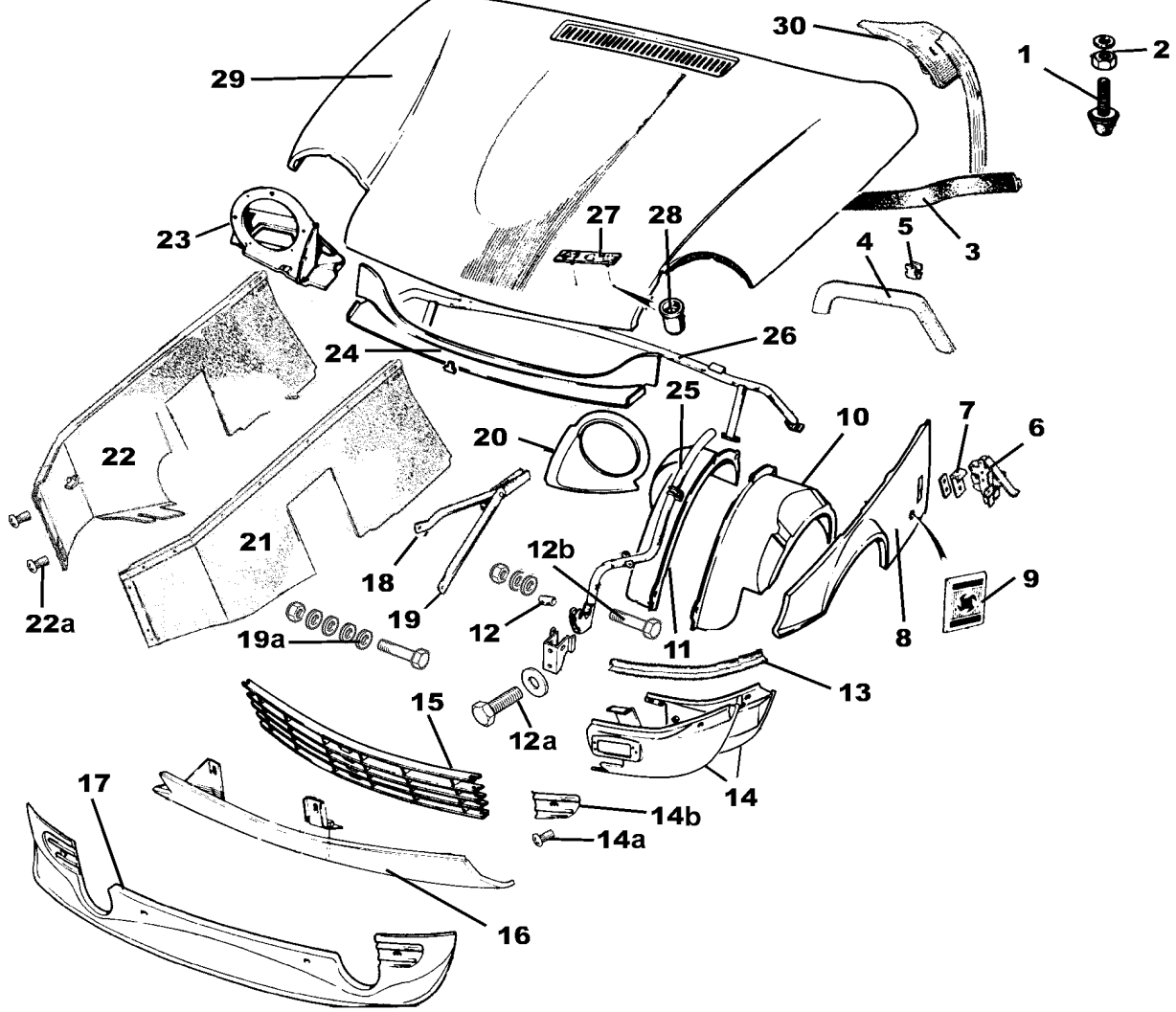
**Note:** bumpers are triple plated rechromed and sold on an exchange basis.

## Door Mirrors MK3 GT6

STAINLESS STEEL DOOR MIRROR RH	GAM213
STAINLESS STEEL DOOR MIRROR LH	GAM214
BULLET MIRROR 4.5" HEAD	HAC1528



# Front Body MK3



**Bonnet Catch**



**BL House Badge**



**Bonnet Lock Kit**



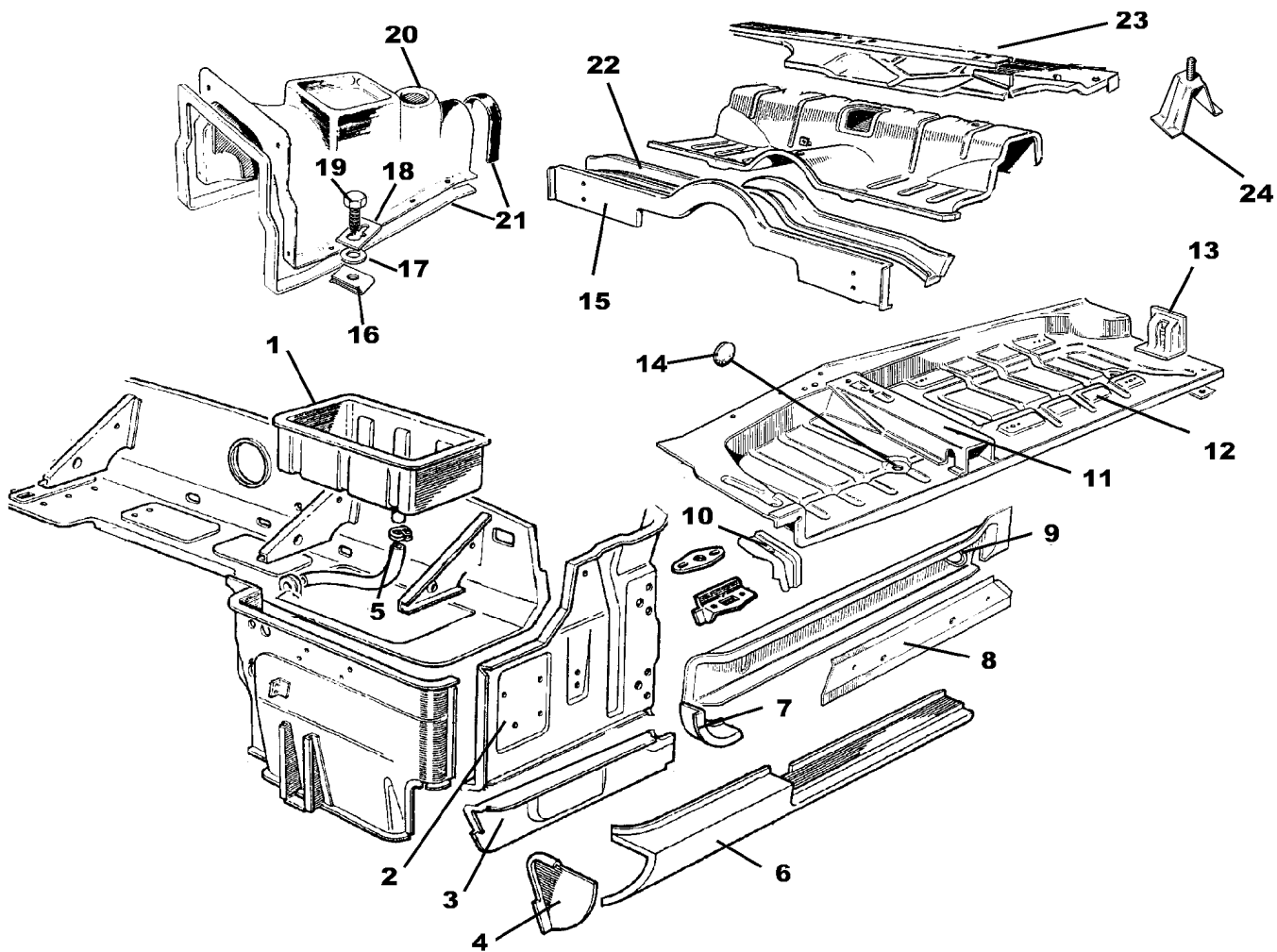
## Center Body and Floor

- 1) BATTERY BOX
- 2) A POST UPPER REPAIR PANEL LH
- 2) A POST UPPER REPAIR PANEL RH
- 3) A POST LOWER REPAIR PANEL LH
- 3) A POST LOWER REPAIR PANEL RH
- 4) SILL CLOSING RH
- 4) SILL CLOSING LH
- 5) CLAMP
- 6) ROCKER PANEL LH
- 6) ROCKER PANEL RH
- 7) A POST FILLER PANEL LH
- 7) A POST FILLER PANEL RH
- 8) INNER SILL STRENGTHENER LH
- 8) INNER SILL STRENGTHENER RH
- 9) INNER SILL LH
- 9) INNER SILL RH

## All Models

- |          |                                       |          |
|----------|---------------------------------------|----------|
| TS43     | 10) FRONT BRACKET MOUNTING RH         | TS53RH   |
| TS52A/LH | 10) FRONT BRACKET MOUNTING LH         | TS53LH   |
| TS52A/RH | 11) FLOOR CROSS MEMBER RH & LH (2req) | TS25     |
| TS52LH   | 12) FLOOR PAN LH (UPS oversize box)   | TS22LH   |
| TS52RH   | 12) FLOOR PAN RH (UPS oversize box)   | TS22RH   |
| TS13RH   | 13) HEEL BOARD BRACKET ASSY           | TS55     |
| TS13LH   | 14) DRAIN PLUG (4 req)                | BW548    |
| CS4012   | 15) HEEL BOARD                        | TS54     |
| TS16LH   | 16) SPIRE CLIP (8req)                 | GHF713   |
| TS16RH   | 17) WASHER (10req)                    | WP5      |
| TS10LH   | 18) COVER RETAINING PLATE (8req)      | 608383   |
| TS10RH   | 19) SCREW (10req)                     | YH6507   |
| TS17LH   | 20) ABS GEARBOX COVER (UPS oversize)  | CC1076   |
| TS17RH   | 21) GEARBOX COVER SEALING STRIP       | 611957/K |
| TS18LH   | 22) CROSS MEMBER ASSEMBLY TO HEEL     | TS62     |
| TS18RH   | 23) TRUNK FLOOR                       | TS30     |
|          | 24) SPARE WHEEL BRACKET WITH NUT      | TS40     |

## Floor Components





# Doors

1) EXTERIOR HANDLE RH & LH MK1 & MK2 (2 req) 712837



2) HANDLE GASKET SET MK1 & 2 (1req per car) 617402/3  
 3) DOOR LOCK MK1 & MK2 PAIR 621773  
 4) SHIM 66-73 621714  
 5) STRIKE PLATE RH LATE MK1 onward CZA3310  
 5) STRIKE PLATE LH LATE MK1 onward CZA3311  
 6) STRIKE PLATE SCREW LONG 1 1/4" (2req) ZKC37  
 6) STRIKE PLATE SCREW SHORT 5/8" (4req) ZKC38  
 7) DOOR LOCK SCREW 1" (4req) ZKC36  
 7) DOOR LOCK SCREW LONG 1 1/4" (2req) ZKC37  
 8) USED DOOR LOCK ASSEMBLY LH LATE MK1 on 907177USED  
 8) USED DOOR LOCK ASSEMBLY RH LATE MK1 on 907178USED  
 9) DOOR TRIM FURFLEX BLACK 66-73 (2 req) 724031  
 10) DRAIN PLUG (4req) BW547  
 11) RUBBER SILENT RUN REAR (2 req) 710650  
 12) DOOR PULL ASSEMBLY MK1 & 2 (2 req) 619680  
 12) DOOR PULL SCREW MK1 & 2 (4 req) 511664  
 13) CLIP REMOTE CONTROL LINK TO DOOR LOCK 608703  
 14) BOLT AND LOCK WASHER HU705  
 15) CLIP FOR DOOR LOCK ROD (4req) GHF1180  
 16) CLIP DOOR ROD TO HANDLE MK3 (2req) 937609  
 17) BEZEL SCREW MK3 (2req) 509278  
 18) HANDLE BEZEL LH MK3 819803  
 18) HANDLE BEZEL RH MK3 819804  
 19) BOLT, WASHER & LOCK WASHER MK3 (6req) HU704/LW  
 20) INTERIOR HANDLE ASSEMBLY LH MK3 819801  
 20) INTERIOR HANDLE ASSEMBLY RH MK3 819802  
 21) INTERIOR HANDLE LEVER ONLY LH MK3 819801/REPAIR  
 21) INTERIOR HANDLE LEVER ONLY RH MK3 819802/REPAIR  
 22) DOOR CHECK SEAL (2req) 602821  
 23) CHECK SEAL CLIP (4req) 553121  
 24) DOOR CHECK STRAP 66-73 (2req) 613024  
 25) WINDOW WINDER HANDLE MK2 & MK3 (2 req) 621811  
 26) HANDLE ESCUTION MK3 (2 req) 623843  
 27) SPRING MK3 (2 req) 603382  
 28) WINDOW WINDER HANDLE MK1 (2 req) 613017  
 29) DOOR HANDLE MK1 (2 req) 608454  
 29) DOOR HANDLE MK2 (2 req) 621770  
 30) PIN 66-73 600832  
 31) HANDLE ESCUTION MK1 (4 req) 650261  
 31) HANDLE ESCUTION MK2 (4 req) 623843  
 32) SPRING MK1 & MK2 (4 req) 603382  
 33) WASHER 66-73 (2 req) 609649  
 34) WINDOW REGULATOR LH 66-73 810400/USED  
 34) WINDOW REGULATOR RH 66-73 810401/USED  
 35) HINGE PIN 66-73 (4req) 607823  
 36) DOOR HINGE GASKET (4 req) 610042

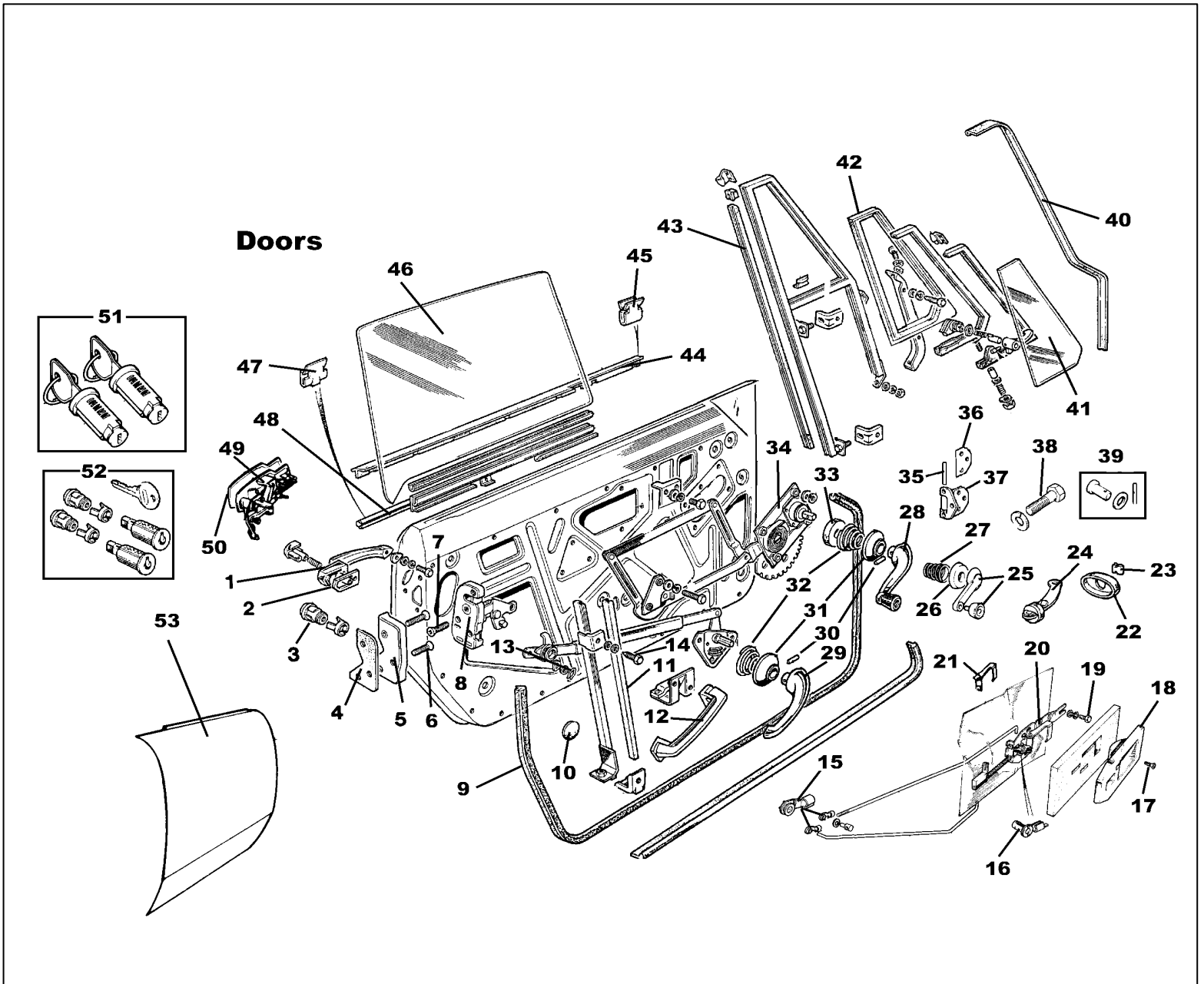
37) DOOR HINGE 66-73 (4req) 607824  
 37) SCREW COUNTERSUNK (4req) KX4806  
 38) DOOR HINGE BOLT & LOCK WASHER HU807/LW  
 39) DOOR CHECK STRAP PIN KIT (2req) 613239  
 40) DOOR SEAL TO WINDSHIELD FRAME (630755  
 41) QUARTER LIGHT GLASS RH 574064  
 41) QUARTER LIGHT GLASS LH 574063  
 42) QUARTER WINDOW SEAL PAIR 574098/9  
 43) RUBBER SILENT RUN FRONT (2 req) 710651  
 44) OUTER WAIST SEAL (2req) 612792  
 45) OUTER WAIST SEAL CLIPS (14req) 613169  
 46) WINDOW GLASS RH 810042  
 46) WINDOW GLASS LH 810041  
 47) INNER WAIST SEAL CLIPS (8req) GHF1582  
 48) INNER WAIST SEAL (2req) 612806  
 49) EXTERIOR HANDLE LH MK3 915633  
 49) EXTERIOR HANDLE RH MK3 915634  
 49) HANDLE PAIR (matching locks MK3 ) 915633/4



50) HANDLE GASKET MK3 (2 req) 577473  
 51) DOOR HANDLE LOCK MK3 PAIR 576469  
 52) MATCHED LOCK KIT MK1 & MK2 not 19 SBK47A



53) DOOR SKIN LH MK1 & MK2 TS11LH  
 53) DOOR SKIN RH MK1 & MK2 TS11RH  
 53) DOOR SKIN LH MK3 TS12LH  
 53) DOOR SKIN RH MK3 TS12RH  
 53) COMPLETE DOOR ASSEMBLY LH MK1, TS78  
 53) COMPLETE DOOR ASSEMBLY LH MK3 TS77



**MK3 GT6**

**MK1 and MK2 GT6**

**Interior Handle**

**Window Winder**

**Grab Handle**



## Body Mouldings & Trim

1) FRONT FENDER MOULDING MK1 (2 req)	710086	9) GT6 BADGE MK1	619860
1) FRONT FENDER MOULDING MK2 (2 req)	706556	10) FIXING	GHF1532
2) CLIPS FRONT & REAR MOULDING (40req) MK1	614107	11) TRIUMPH LETTER SET	703862/S
2) CLIPS FOR FRONT MOULDING (32req) MK2	613766	12) STRIKE PLATE MOUNTING SCREWS (2) CX2506	
2) CLIPS FOR REAR MOULDING (16req) MK2/3	613766	13) TAILGATE LOCK STRIKE PLATE	619383
3) CLIPS FOR REAR MOULDING (4req) MK2/3	613886	14) TAILGATE HANDLE / LOCK MK1 & MK2	710497
3) CLIPS FOR FRONT MOULDING (4req) MK2	613886	14) TAILGATE HANDLE / LOCK MK3	722676
4) CLIPS FOR SILL MOULDING (16req)	GHF1154	15) MOUNTING SCREWS FOR TRUNK LOCK KX4505	
4a) SILL MOULDING RH	712986	16) SCREW	PX504
5) COMMISSION PLATE 1970 - 1972	CNP61	17) LOCK MECHANISM	710290
5) COMMISSION PLATE 1973	CNP62	18) TAILGATE HANDLE GASKET	624729
6) REAR FENDER MOULDING MK1 RH & LH	710686/7	19) TRUNK LOCK TUMBLER AND KEY MK3	722675/T
6) REAR FENDER MOULDING MK2 (2 req)	707319	20) TAILGATE SEAL 66-73	610657
6) REAR FENDER MOULDING MK3 Black (2 req)	715693	21) TAILGATE GLASS 66-73	722661
6) REAR FENDER MOULDING MK3 Stainless (2 req)	715693/SS	22) TAILGATE GLASS SEAL 66-73	904487
7) TRIUMPH BADGE MK2	622260	23) TAILGATE GLASS SEAL FINISHER 66-7	613955
8) GT6 + BADGE USA MK2	622497	24) FINISHER CLIP 66-73	611437

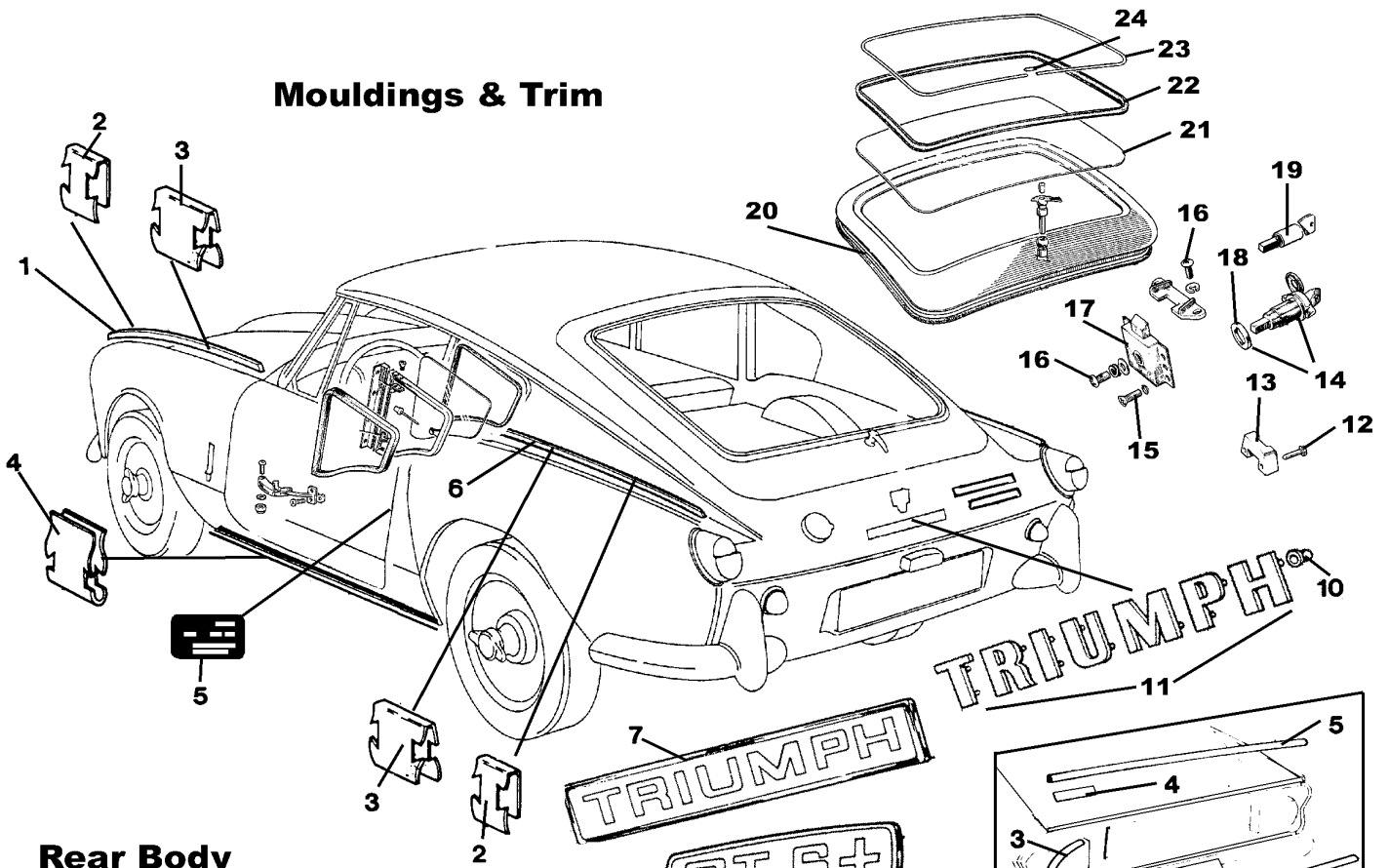
## Rear Bodywork

1) REAR LOWER REPAIR INNER RH MK3	TS51RH
1) REAR LOWER REPAIR INNER LH MK3	TS51LH
2) REAR VALENCE MK1 & MK2	TS27
2) REAR VALENCE O.E MK1 & MK2	569900
2) REAR VALENCE MK3	TS28
3) REAR LIGHT PANEL MK3	815395
4) INNER WHEEL WELL RH 66-73	TS64RH
4) INNER WHEEL WELL LH 66-73	TS64LH
5) TOP SHOCK MOUNT LH	714655
5) TOP SHOCK MOUNT RH	714656
6) OUTER WHEEL WELL RH 71-73	TS50RH
6) OUTER WHEEL WELL LH 71-73	TS50LH
6) OUTER WHEEL WELL RH 66-70	SB1477
6) OUTER WHEEL WELL LH 66-70	SB1478
7) REAR FENDER RH 66-70 (UPS Oversize charge)	576409
7) REAR FENDER LH 66-70 (UPS Oversize charge)	576408
7) REAR FENDER MK3 RH (UPS Oversize charge)	TS33RH
7) REAR FENDER MK3 LH (No fuel cutout) (UPS Oversize charge)	TS33LH
8) LOWER EDGE TRIM MK3 (2req)	715821
8) LOWER EDGE FENDER TRIM MK1 & MK2 (2 req)	706600
9) REAR LOWER REPAIR PANEL LH MK1 & MK2	TS66LH
9) REAR LOWER REPAIR PANEL RH MK1 & MK2	TS66RH
9) REAR LOWER REPAIR OUTER LH MK3	TS21LH
9) REAR LOWER REPAIR OUTER RH MK3	TS21RH
10) REAR FENDER REPAIR 66-73 RH	TS20RH
10) REAR FENDER REPAIR 66-73 LH	TS20LH
11) B POST ASSEMBLY RH	TS46RH
11) B POST ASSEMBLY LH	TS46LH
13) FRONT INNER FENDER MK1 - MK3 LH	909661F
13) FRONT INNER FENDER MK1 - MK3 RH	909662F
14) REAR INNER FENDER MK3 LH	909661R
14) REAR INNER FENDER MK3 RH	909662R
14) REAR INNER FENDER MK1 & MK2 LH	903148R
14) REAR INNER FENDER MK1 & MK2 RH	903149R

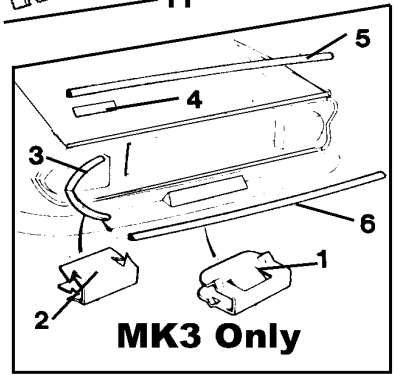
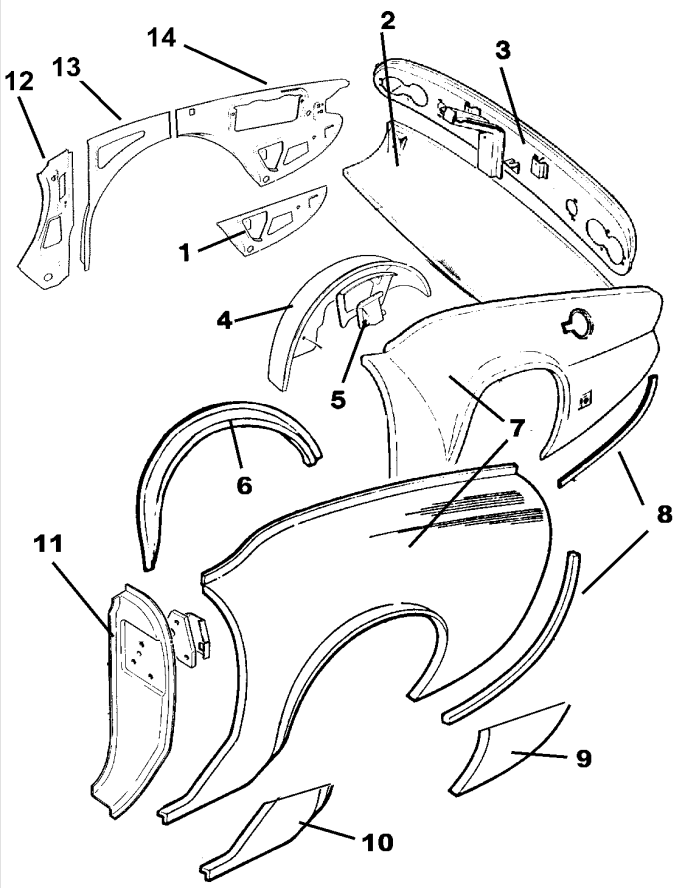
## MK3 Rear Light Panel Mouldings

1) CLIPS FOR VALANCE & TOP MLDG (14req)	GHF1154
2) CLIPS REAR MOULDING (8 req)	613886
3) REAR MOULDING LH	815023
3) REAR MOULDING RH	815024
4) MK3 GT6 BADGE	624738
5) TOP MOULDING	715696
6) REAR VALENCE MOULDING	715697

# Mouldings & Trim



# Rear Body



## MK1 & MK2 Front and Rear Bumpers

1) FRONT OVERIDERS MK1 GT6	706605/6
3) RUBBER MOULDING OVERIDER (4req)	552218
4) RECHROMED BUMPER MK1 GT6 (\$150.00 CORE)	806956/RC
5) CHROME BUMPER BOLT MK1 GT6 (2req)	550090
6) PACKING PIECE MK1 GT6 (4req)	607085
7) BOLT, WASHER AND LOCK WASHER (4req)	HU807/WLW
8) BOLT, WASHER AND LOCK WASHER (2req)	HB816/WLW
9) FRONT OVERIDER RUBBER BUFFER MK2 GT6 (2req)	709753
10) FRONT OVERIDERS MK2 GT6	712705/6
12) RECHROMED BUMPER MK2 GT6 (\$150.00 CORE)	811660
13) BOLT, WASHER AND LOCK WASHER (6req)	HU806/WLW
14) BOLT & WASHERS LOWER OVERIDER (2req)	HU906/WLW
15) BOLT & WASHERS UPPER OVERIDER (2req)	HU907/WLW
16) RUBBER WASHER	615829
18) BOLT, WASHER AND LOCK WASHER (2req)	HB820/WLW
19) REAR QUARTER BUMPER LH MK1 GT6	806900/RC
20) REAR QUARTER BUMPER RH MK1 GT6	806901/RC
21) RUBBER MOULDING OVERIDER MK1 GT6 (4req)	552218
22) REAR OVERIDER RH MK1 GT6	706584
23) REAR OVERIDER LH MK1 GT6	706583
24) BOLT, WASHER AND LOCK WASHER (2req)	HB830/WLW
25) REAR QUARTER BUMPER LH MK2 GT6	811476/RC
26) REAR QUARTER BUMPER RH MK2 GT6	811477/RC
27) BOLT, WASHER, LOCK WASHER (8req)	HU908/WLW
28) NUT (6req)	HN2009
29) BOLT & LOCK WASHER (2req)	HU808/LW
30) BOLT & LOCK WASHER (2req)	HU914/WLW
MK1 GT6 REAR BUMPER MOUNTING KIT	BHDW3

## Windshield

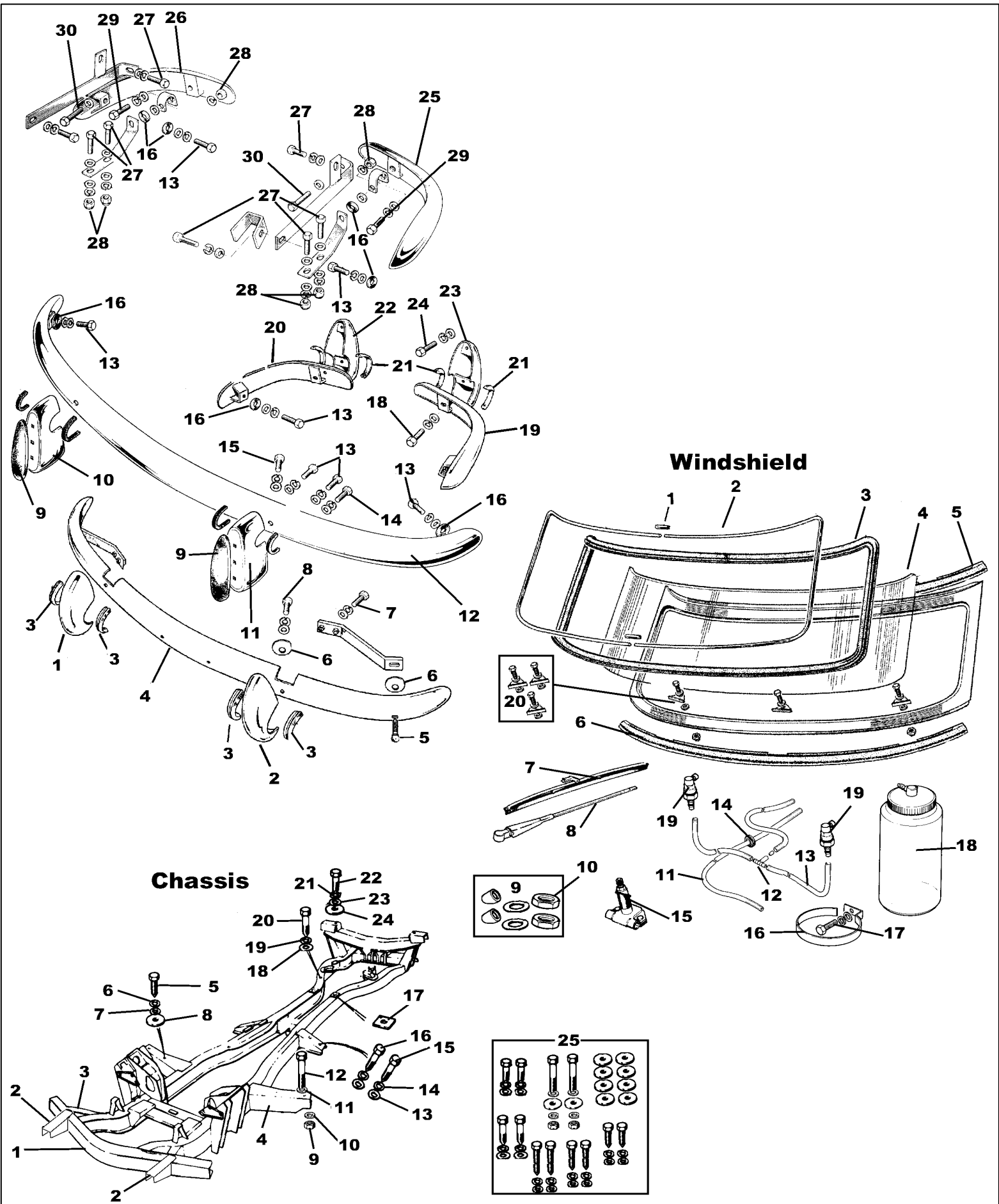
1) WINDSHIELD CLIP FINISHER MK1 & MK2	611437
1) WINDSHIELD CLIP FINISHER MK3 (2req)	ZKC2099
2) WINDSHIELD FINISHER MK1 & MK2	613954
2) WINDSHIELD FINISHER KIT MK3 (plastic)	SBK49
2) WINDSHIELD FINISHER LH MK3 (plastic)	917248
2) WINDSHIELD FINISHER RH MK3 (plastic)	917249
3) WINDSHIELD RUBBER MK1 & MK2	913442
3) WINDSHIELD RUBBER MK3 OE QUALITY	909029
4) WINDSHIELD GLASS MK1& 2 (\$30 packing)	906707
4) WINDSHIELD GLASS TINTED MK1& 2 (\$906707TINT)	
4) WINDSHIELD GLASS MK3 (\$30 packing c)	917668
4) WINDSHIELD GLASS TINTED not O.E (\$917668TINT)	
5) WINDSHIELD SEAL TO ROOF MK1 & MK2	806144
6) LOWER WINDSHIELD SEAL MK1 & MK2	650130
7) WINDSHIELD WIPER 11" (2 req)	GWB117
7) WINDSHIELD WIPER 10" (2 req)	GWB219
7) WINDSHIELD WIPER MK3 (2 req)	GWB168
8) WIPER ARM LH MK3	156308
8) WIPER ARM RH MK3	156307
9) WHEEL BOX FITTING KIT (1req) 66-73	519988
10) EIGHT SIDED WIPER NUT (2 req)	520205
10) SIX SIDED WIPER NUT (2 req)	ANK3459
11) WASHER HOSE SOLD BY THE FOOT	WWT1
12) "T" FITTING	612601
13) WASHER HOSE SOLD BY THE FOOT	WWT2
14) GROMMET	61917
15) WIPER WHEEL BOX 1966 - 1968 (2 req)	134746
15) WIPER WHEELBOX 1968 - 1973 (2req)	155430
16) WASHER BOTTLE CLAMP	RTC2392
17) BOLT & WASHERS	HU505/W
18) WASHER BOTTLE WITH CAP & "TUDOR"	609172
19) WINDSHIELD WASHER JETS (2 req)	GWW802
20) WINDSHIELD ATTACHMENT KIT MK1 & SBK44	

## MK3 Front and Rear Bumpers (not illustrated.)

FRONT BUMPER RECHROMED MK3 GT6	WKC2543RC
REAR BUMPER 1971-1972 MK3 GT6	914698RC
REAR BUMPER 1973 MK3 GT6	920050RC
FRONT UNDERIDER RH 71-73	815278
FRONT UNDERIDER LH 71-73	815277

## Chassis

FRONT CROSS RAIL	TS26
FRONT GUSSET ASSEMBLY RH	218526
FRONT GUSSET ASSEMBLY LH	218527
FRONT OUTRIGGER RH	TS45RH
FRONT OUTRIGGER LH	TS45LH
BODY MOUNTING PAD	621101
BODY MOUNTING SPACER	613178
BODY MOUNTING BOLT KIT WITH 8 X (621BHDWK1)	
BONNET PIVOT BOX RH MK2 GT6	311594
BONNET PIVOT BOX LH MK2 GT6	311595
BONNET PIVOT BRACKET RH MK1 GT6	147788
BONNET PIVOT BRACKET LH MK1 GT6	147789





## Rear Differential

1) RUBBER MOUNT UPPER (2 req)	133568	22) USED INNER AXLE SHAFT (2req)	139531USEI
2) RUBBER MOUNT LOWER (2 req)	131796	23) OIL SEAL INNER (2 req)	117952
3) MOUNTING WASHER (2req)	WM810	24) SCREW & WASHER (8req)	123803
4) MOUNTING LOCK NUT (2req)	YN3209	25) INNER BEARING (2 req)	533360A
5) PINION FLANGE	UKC764	26) CIRCLIP (2 req)	139532
6) PINION OIL SEAL	141242	27) REAR MOUNT BUSHING (2 req)	117578
7) PINION BEARING	134070	29) GASKET	114749
8) SHIM .010"	140791	30) MOUNTING BOLT, WASHER & LOCK NUT	136869
8) SHIM .005"	140792	32) STUD NON ROTO (6 req MK1 4req MK3)	131008
8) SHIM .003"	140793	32) STUD ROTOFLEX (6 req)	151824
9) PINION SPACER	145933	33) WASHER	WP110
10) BOLT & SHAKE PROOF WASHER (4req)	132856/SW	34) LOCK NUT	YN2909
11) BOLT & LOCK WASHER (8req)	HU808/LW	35) POLY DIFFERENTIAL FRONT MOUNT	IBAC11
12) SHIM .081"	145922		
12) SHIM .0885"	145927		
12) SHIM .0915"	145929		
12) SHIM .096"	145932		
13) REAR PINION BEARING	134065		
14) CROSS PIN	134072		
15) CROWN WHEEL & PINION 3.89:1	159801		
15) CROWN WHEEL & PINION 3.63:1not orig fitted	159802		
15) CROWN WHEEL & PINION 3.27:1 (21H5478 carrier)	159803		
16) SHIM	134075		
17) GEAR 16 teeth	134073		
18) PINION GEAR 10 teeth	134074		
19) THRUST WASHER PINION	148805		
20) CARRIER BEARING 1966 - 73 KF20,000 (2 req)	130355		
20) CARRIER BEARING MK3 1973 from KF20001 (2 req)	GHB105		
21) SHIM .003	156082		
21) SHIM .005	156083		

## Rebuilt Differentials

*Rebuilt Differentials come with a 12 month 12,000 mile warranty.*

### **MK3 from KF20,001 (4 stud diffs)**

REBUILT DIFFERENTIAL 3.89:1 (new ring & RTC2305N  
*(above diff comes with a NEW crown wheel & pinion set)*  
REBUILT DIFFERENTIAL 3.89:1 RTC2305R  
REBUILT DIFFERENTIAL 3.63:1 (not original TKC3718R)

### **MK1, MK2 and MK3 GT6 up to KF20,000 (6 stud diffs)**

REBUILT DIFFERENTIAL 3.89:1 515744N  
*(above diff comes with a NEW crown wheel & pinion set)*  
REBUILT DIFFERENTIAL 3.89:1 515744  
REBUILT DIFFERENTIAL 3.27:1 515743

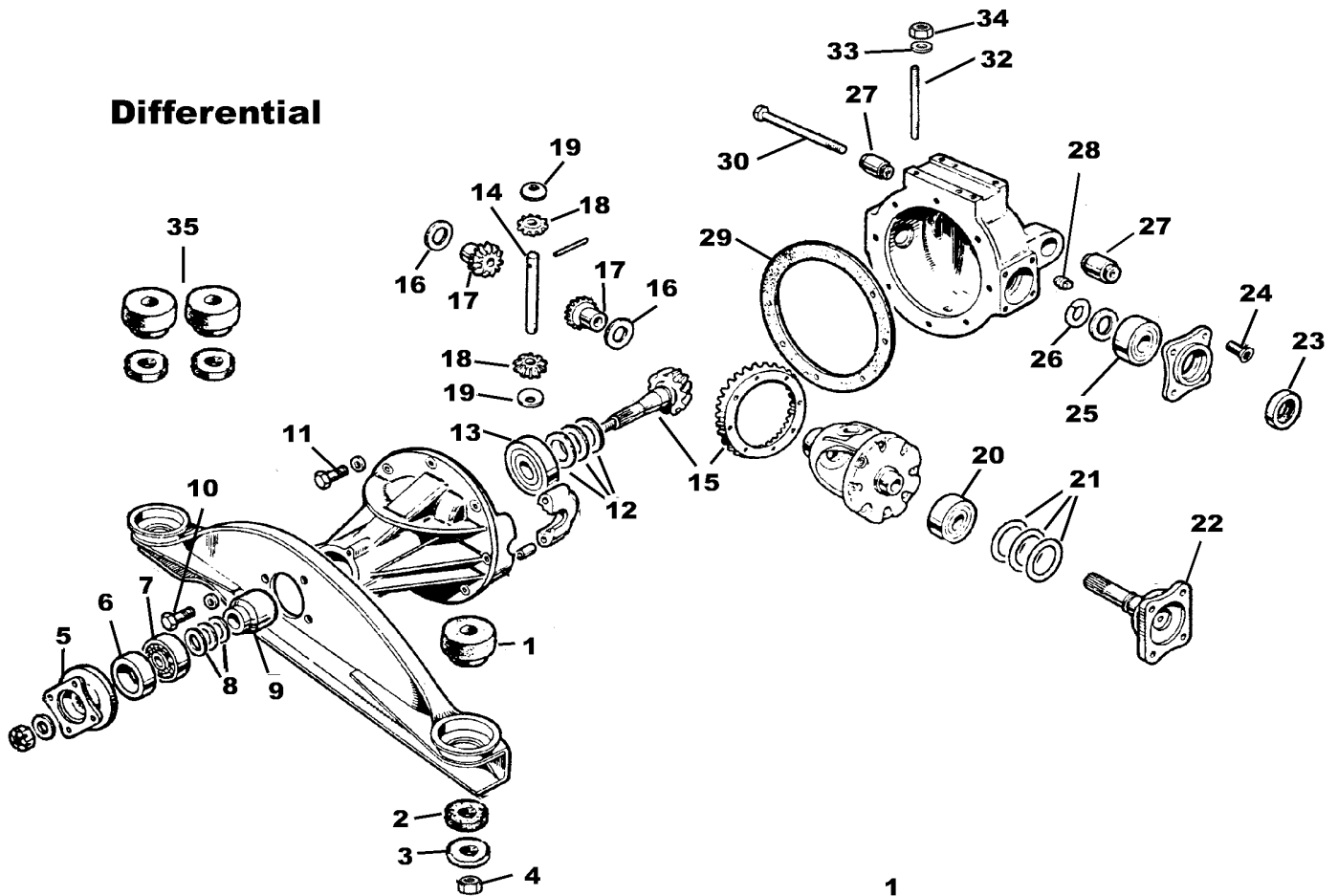
*\$200.00 core charge on rebuilt Differentials.*

***USE ONLY GL4 OIL in Differentials!!***

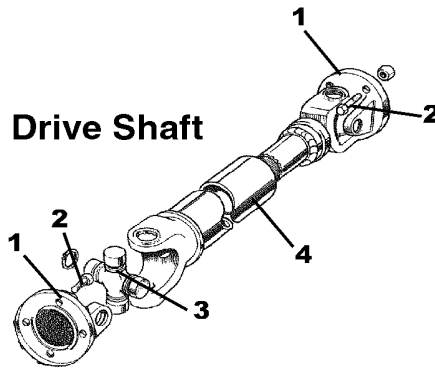
## Drive Shafts

1) DRIVE FLANGE (2req)	37H4973
2) BOLT & LOCK NUT (8req)	132023/LN
3) U JOINT (2req)	HS150
4) DRIVESHAFT OVERDRIVE 36"	213151
4) DRIVESHAFT NON OVERDRIVE 39.5"	213150

## Differential



## Drive Shaft



## Rebuilt Differential

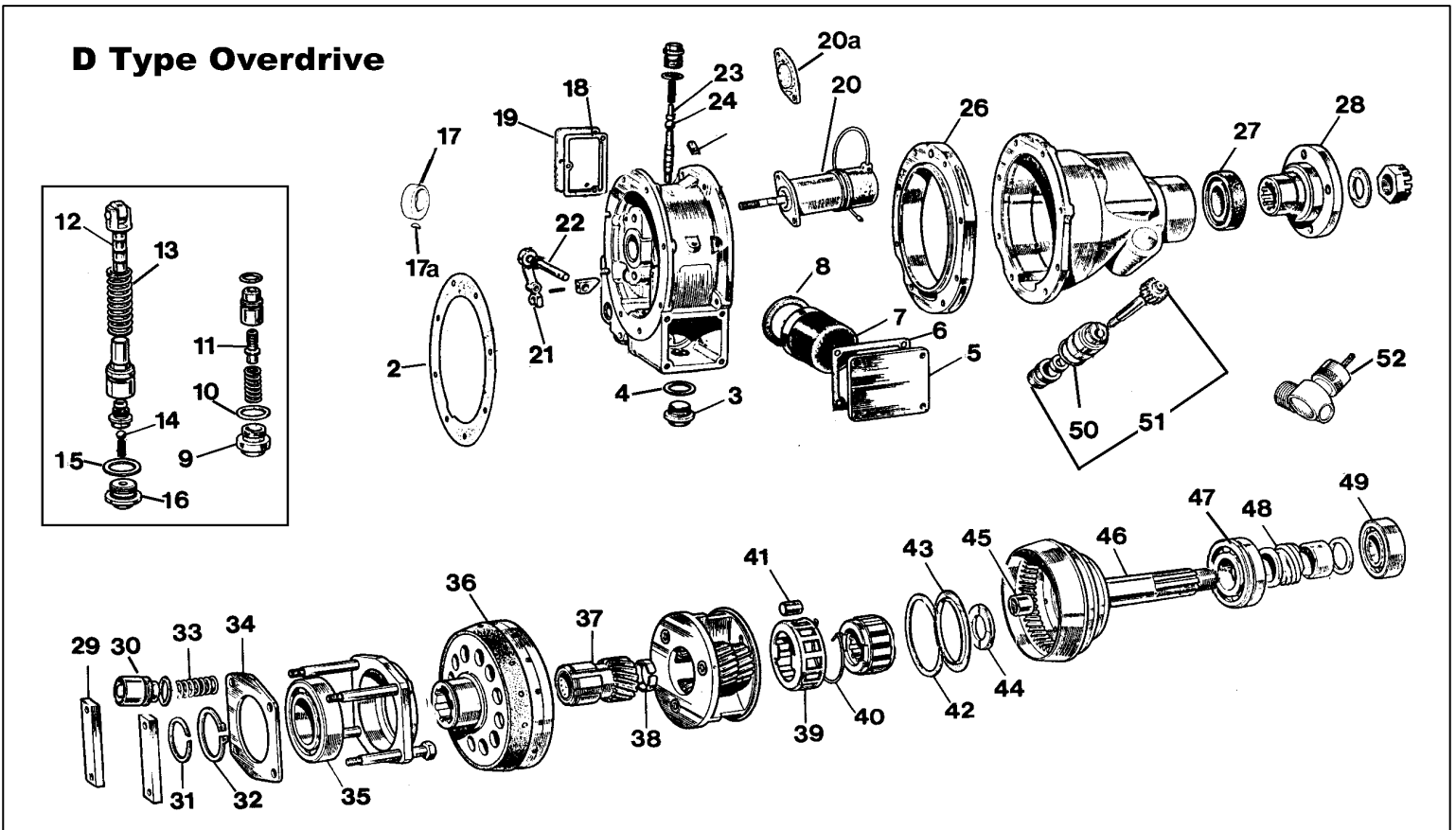


# Overdrive D Type

1) GASKET ADAPTER PLATE	106437	29) PISTON OPERATING CLUTCH (2req)	513220
2) GASKET MAIN CASING	37H1901	30) O RING PISTON OPERATING CLUTCH	506130
3) DRAIN PLUG	506114	31) SUNWHEEL CIRCLIP	506091
4) SEAL	506118	32) CIRCLIP	515356
5) FILTER COVER	506097	33) SPRING (4req)	513199
6) FILTER COVER GASKET	506098	34) CLUTCH RETAINING PLATE	506104
7) FILTER	513202	35) CLUTCH THRUST BEARING	506112
8) SEALING PLATE	506107	36) CLUTCH SLIDING MEMBER (\$90 core cl	513200
9) RELIEF VALVE PLUG	N/A	37) SUN WHEEL	506044
10) WASHER	506118	38) RING SPRING	513223
11) O RING	506129	39) CAGE ROLLER	502559
12) PLUNGER OIL PUMP	513196	40) SPRING FOR CAGE	513208
13) SPRING	500633	41) ROLLERS	506063
14) BALL BEARING	BL0014	42) CIRCLIP SUN WHEEL	513210
15) SEALING WASHER	506118	43) RETAINING PLATE	513215
16) PLUG	513206	44) THRUST WASHER	500613
17) O/D CAM	513216	45) NEEDLE ROLLER BEARING	506113
17a) KEY	KW316	46) ANNULUS	513195
18) GASKET	513204	47) BEARING FRONT ANNULUS	506111
19) COVER	506109	48) DRIVE GEAR	506099
20) SOLENOID	512114	49) REAR BEARING ANNULUS	533360A
20a) SOLENOID GASKET	513201	50) O RING	506115
21) OPERATING VALVE LEVER	506064	51) SPEEDO DRIVE GEAR ASSEMBLY	506067
22) O RING	500594	52) SPEEDOMETER ANGLE DRIVE	120694
23) PLUNGER BALL VALVE	500591	53) OVERDRIVE SWITCH BRACKET not illu:	133770
24) BALL BEARING	BL0020		
26) RING CLUTCH	513228		
27) REAR SEAL	513231		
28) OUTPUT FLANGE	513212		

## Rebuilt Overdrive D Type

REBUILT D TYPE O/D (\$200 Core charge) 307862



## Dash Controls

- |   |          |
|---|----------|
| 1) WASHER SWITCH KNOB MK2 & MK3   | 725374   |
| 2) WASHER SWITCH MK2 & MK3  | 155495/X |
| 3) TACHOMETER   | CALL     |
| 4) TACHOMETER CABLE 1966-1973   | 138316   |
| 5) HAZARD SWITCH MK2 & MK3  | 156044   |
| 6) VOLTAGE REGULATOR  | 148876   |
| 7) SPEEDOMETER CABLE MK1& MK2   | GSD169   |
| 7) SPEEDOMETER CABLE MK3 NON O/D  | GSD117   |
| 7) SPEEDOMETER CABLE MK3 O/D  | GSD115   |
| 8) CABLE GROMMET  | 600396   |
| 9) SPEEDOMETER  | CALL     |
| 10) INSTRUMENT BULB (screw in type)   | GLB987   |
| 11) FUEL GAUGE MK3 from KF20,001  | 159604   |
| 12) IGNITION SWITCH (reproduction) MK1 SOME MK2                                 | 127651X  |
| 12) IGNITION SWITCH BARREL with keys MK1  | 572540   |
| 13) IGNITION SWITCH MK1 & SOME MK2 (with keys)                                  | 34680    |
| 14) LIGHTING MASTER SWITCH MK1  | 145203   |
| 15) CHOKE KNOB MK1 "T"  | 143136   |
| 16) CHOKE KNOB LATE MK1, MK2 & MK3  | 712907   |
| 16) CHOKE KNOB LATE MK3 (CHOKE)   | 725373   |
| 17) TEMP GAUGE MK3 from KF20,001  | 159606   |
| 17) TEMPERATURE / OIL PRESSURE<br>GAUGE WITH TEMPERATURE FITTING (not original) | BHA4900  |

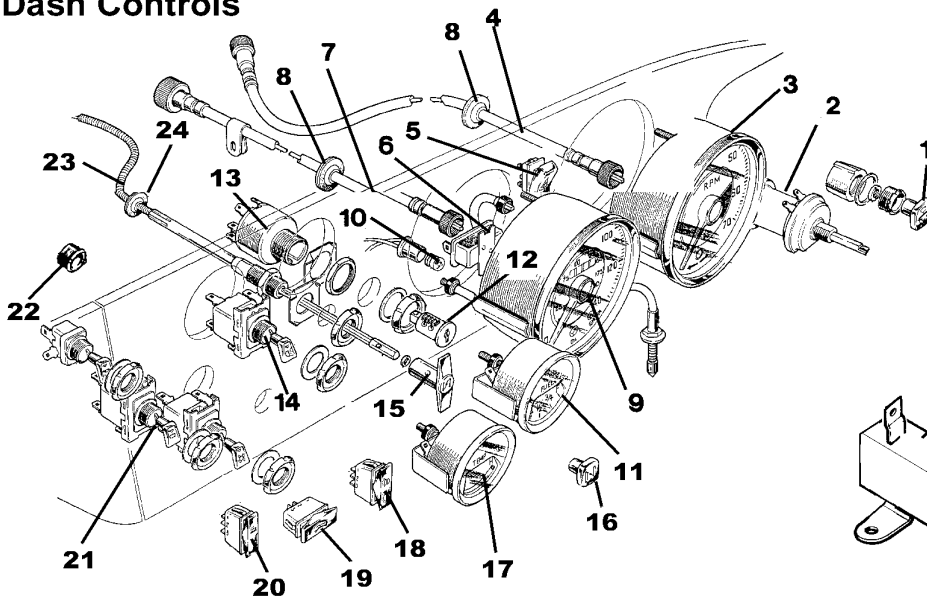
- |  |         |
|--|---------|
| 18) LIGHTING SWITCH MK2 & MK3          | 30731   |
| 19) DEFOG SWITCH MK2 & 3 (replacement) | 150377L |
| 20) DOME SWITCH MK2 & MK3 (replaceme   | 150379L |
| 21) WIPER SWITCH MK1 TWO SPEED         | 143841  |
| 22) WARNING LIGHT                      | 148830  |
| 23) CHOKE CABLE MK1 (includes knob)    | 214787  |
| 23) CHOKE CABLE MK2/3 (includes knob)  | 215502  |
| 23) CHOKE CABLE LATE MK3 (includes kno | 218304  |
| 24) CHOKE CABLE GROMMET                | 61917   |

## Ignition Components

- |   |         |
|---|---------|
| 1) TUNE UP KIT (POINTS, CONDENSER CA SBK43B |         |
| 2) ROTOR                                    | GRA110  |
| 3) CONDENSER                                | 33760   |
| 4) POINT SET                                | 22830   |
| 5) DISTRIBUTOR CAP                          | GDC109  |
| 6) SPARK PLUG WIRES                         | GHT144  |
| 7) SPARK PLUGS CHAMPION MK1 & MK2           | CHN9YC  |
| 7) SPARK PLUGS CHAMPION MK3                 | CHN12YC |
| 8) COIL LUCAS STOCK MK1 & MK2               | DLB101  |
| 8) COIL LUCAS STOCK MK3                     | DLB102  |
| 8) LUCAS SPORT COIL 12 VOLT MK1 & MK        | DLB105  |
| 8) LUCAS SPORT COIL 6 VOLT MK3              | DLB110  |
| 9) BALLAST RESISTER MK3                     | 134176  |
- CRANE ELECTRONIC IGNITION (not illus XR700-231

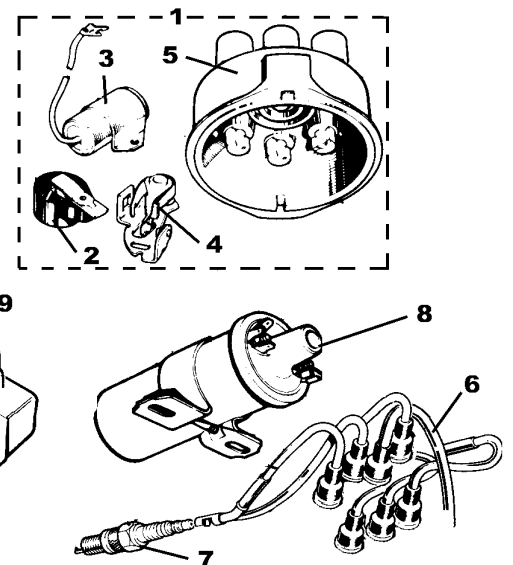


### Dash Controls



### Lighting

### Ignition Components



## Lighting

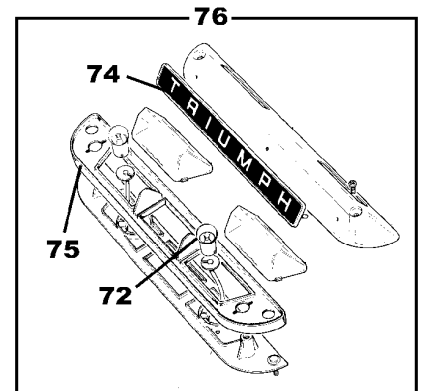
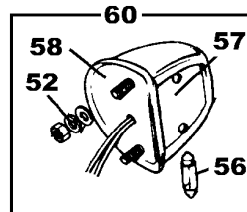
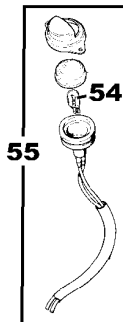
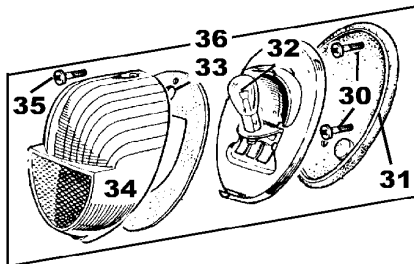
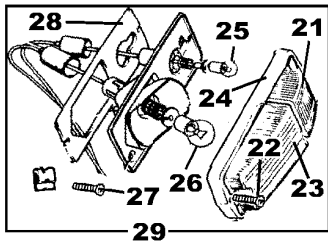
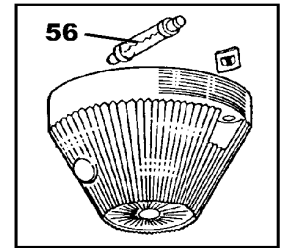
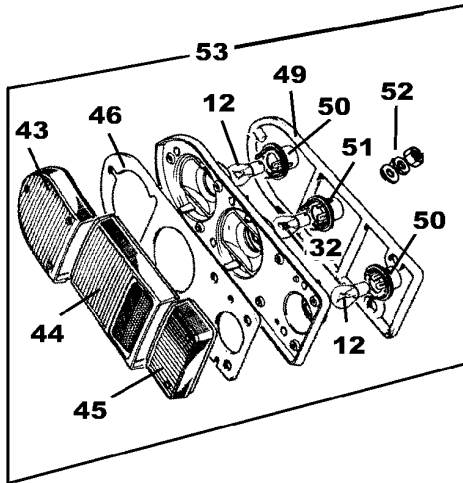
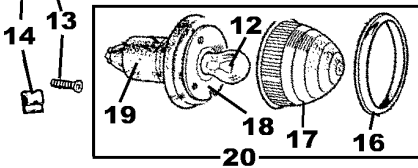
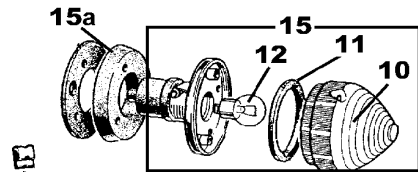
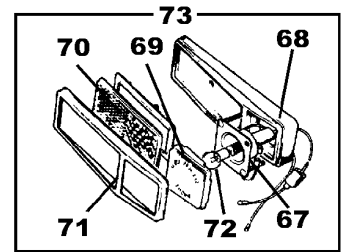
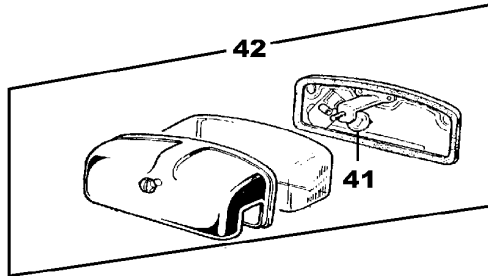
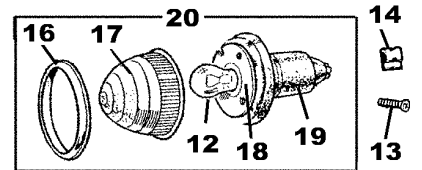
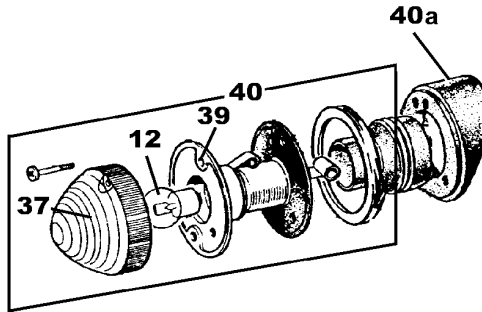
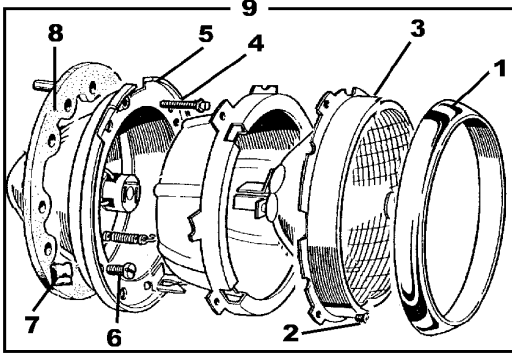
1) HEADLAMP RIM MK1 & MK2 (2req)	119072/X	41) BULB	GLB233
2) SCREW RIM MOUNTING (6req)	507086	42) LICENSE PLATE LAMP MK1 & MK2	127916
3) RETAINER RIM (2req)	515218	43) REAR TURN LENS (2req)	RTC1176
4) ADJUSTER KIT (2 req)	BHM7058	44) STOP LENS (2req)	RTC1177
5) HEADLAMP BOWL LUCAS (2req)	520080	45) REVERSE LENS (2req)	RTC1174
6) MOUNTING SCREW MK1 & 2 (6req)	YF7406	46) REAR LENS GASKET (2req)	520091
7) SPIRE CLIP MK1 & MK2 (6req)	FC2804	49) REAR LAMP GASKET MK3 1971-72 (2req)	158196
8) RUBBER SEAL MK1 & MK2 (2req)	512222	49) REAR LAMP GASKET MK3 1973 (2req)	RTC1175
8) RUBBER SEAL MK3 (2req)	149266	50) BULB HOLDER TURN LAMP & REVERS	518042
9) HEADLAMP & BOWL MK1 & MK2 (2req)	512224	51) BULB HOLDER STOP / TAIL LAMP	518041
9) HEADLAMP & BOWL MK3 (2req)	514579	52) MOUNTING NUT & WASHERS	HN2005/W
10) FRONT TURN LAMP LENS WHITE MK1 (2req)	514421	53) REAR LIGHT CLUSTER MK3 RH or LH	(TKC943
11) LENS GASKET TURN LAMP MK1 (2 req)	147553	54) BULB (2req)	GLB501
12) BULB	GLB382	55) REAR LICENSE PLATE LAMP 1970 YEA	142002
13) SET SCREW	YZ3304	56) BULB (2req)	GLB254
14) SPIRE CLIP	FU2583	57) LICENSE PLATE LAMP LENS MK3 1973	159838/LEN:
15) FRONT TURN LAMP MK1 WHITE (2req)	140690	58) LICENSE PLATE LAMP GASKET MK3	159838/GAS
16) CHROME RIM (4req)	505884	60) LICENSE PLATE LAMP MK3 1973 (2req)	159838
17) PARK LAMP LENS WHITE MK1 & REVERSE (4req)	505886	67) BULB HOLDER FRONT 1970 - 73 (2req)	506619F
18) BULB HOLDER (4req)	508165	67) BULB HOLDER REAR 1970 - 73 (2req)	506619R
19) RUBBER BODY (4req)	508162	68) MOUNTING RUBBER SET (1req)	158565/6
20) FRONT PARK LIGHT & REVERSE WHITE MK1 (4req)	121355	69) LENS RED 1970 - 73 (2req)	608224
21) AMBER PARK LENS LATE MK2 (2req)	518145	69) LENS AMBER 1970 - 73 (2req)	90/608222
21) WHITE PARK LENS MK2 (2req)	516308	70) REFLECTOR RED 1970 - 73 (2req)	589517
22) SCREW FIXING CHROME RIM (4req)	516305	70) REFLECTOR AMBER 1970 - 73 (2req)	90/608223
23) AMBER TURN LENS MK2 (2req)	516306	71) CHROME RIM 1970 - 73 USED (4req)	519364
24) CHROME RIM MK2 & MK3 (2req)	516304	72) BULB	GLB989
25) BULB PARK MK2 up to 1969 (2req)	GLB207	73) REFLECTOR AMBER 1969 ONLY	151872
26) BULB TURN MK2 up to 1969 (2req)	GLB382	73) REFLECTOR RED 1969 ONLY	153931
26) BULB 1970 - 1973 TURN & PARK (2req)	GLB380	73) FRONT RH SIDE MARKER 1972-73	158561
27) PAN HEAD MOUNTING SCREW (4req)	PX504	73) FRONT LH SIDE MARKER 1972-73	158562
28) GASKET MK2 EXCEPT 1970 (4req)	154049	74) TRIUMPH BADGE	626859
28) GASKET 1970 MK2 & all MK3 (2req)	518920	75) RUBBER GASKET 1971-1972	215823
29) FRONT PARK white / TURN LAMP amber MK2 (2req)	147547	76) LICENSE PLATE LAMP MK3 1971-72	718028
29) FRONT PARK / TURN LAMP MK3 (2req)	56159		
30) MOUNTING SCREW (4req)	PX505		
31) RUBBER GASKET LAMP TO BODY (2req)	511803		
32) BULB	GLB380		
33) STOP LAMP LENS GASKET (2req)	511802		
34) REAR STOP / TAIL LIGHT LENS (2req)	511800		
35) LENS SCREW (2req)	511801		
36) REAR STOP LIGHT ASSY MK1 & MK2 (2req)	217025		
37) REAR TURN LENS RED MK1 (2req)	514062		
37) REAR TURN LENS AMBER MK2 (2req)	516301		
37) REAR TURN LENS RED MK2 (2req)	516302		
39) LENS GASKET MK1 & 1970 ONLY	147553		
40) REAR TURN LIGHT MK1 with red lens (2req)	136581		
40) REAR TURN LIGHT MK2 with amber lens (2req)	147551		
40) REAR TURN LIGHT 1970 (not original) (2req)	153971/A		

### Reverse Lamp MK2 from KD75,001



REVERSE LIGHT from KD75001	153965
REVERSE LIGHT LENS from KD75001	510762
BULB from KD75001 (2req)	GLB989

# Lighting





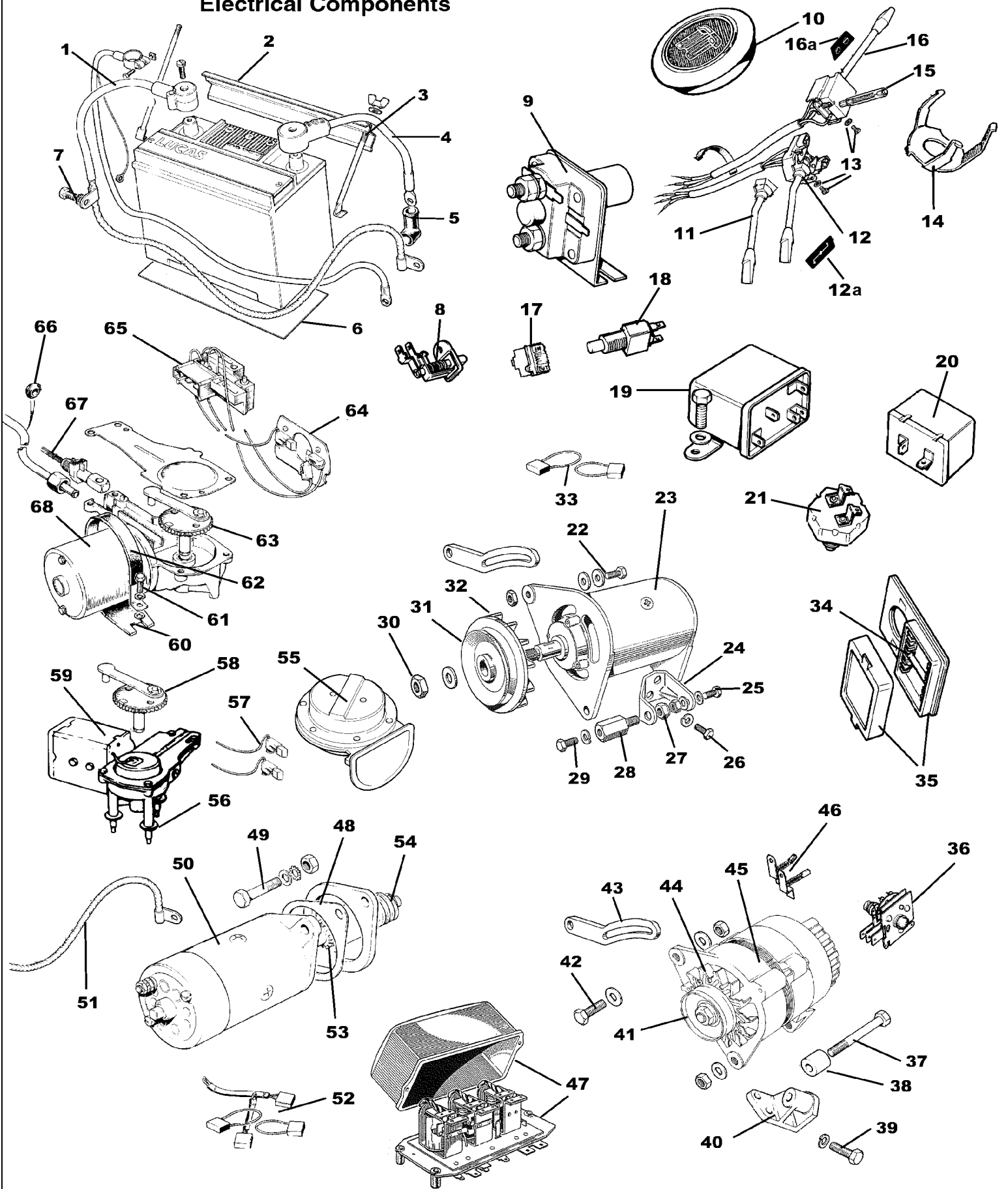
## Electrical Components

1) BATTERY CABLE NEGATIVE	515997	41) PULLEY	AEU1238
2) BATTERY RETAINER BAR	142087	42) BOLT, WASHERS & NUT	HU858/WN
3) J BOLT 5 3/4" , WASHER & WING NUT (2req)	613051/KIT	43) ADJUSTING LINK USED	150340USEI
4) BATTERY CABLE POSITIVE	515873	44) FAN BLADE	AAU3956
5) TERMINAL BOOT	115706	45) ALTERNATOR REBUILT 16 ACR	GEU207
6) BATTERY MAT (rubber)	613155	45) ALTERNATOR NEW 18 ACR	LRA100
7) BOLT & SHAKEPROOF WASHER (GHF321)	HU704/SW	46) ALTERNATOR BRUSH SET	GGB504
8) COURTESY LIGHT SWITCH MK1 & MK2	606240	47) CONTROL BOX MK1 ONLY	NCB132
8) TAILGATE LIGHT SWITCH	606240	48) SHIM	104549
8) COURTESY LIGHT SWITCH MK3 LH	627745	49) MOUNTING BOLT, WASHER & NUT (2req)	HB917/WN
9) STARTER SOLENOID MK1 & MK2	13H5952	50) STARTER MOTOR ASSEMBLY	LRS101N
9) STARTER SOLENOID MK3	RTC461R	51) STARTER MOTOR TO SOLENOID CABLE	UKC1363
10) CENTER HORN PUSH "TR SHIELD"	150277	52) STARTER MOTOR BRUSH SET	GSB102
10) CENTER HORN PUSH "TRIUMPH"	159761	53) DRIVE GEAR 9 TOOTH	67H5010
11) OVERDRIVE SWITCH MK1 & MK2	147281	54) SPRING	7H5045
12) TURN SIGNAL SWITCH LUCAS	158966	55) HORN HIGH NOTE	XDH112H
12a) TURN SWITCH LABEL	611011	55) HORN LOW NOTE	XDH112L
13) PAN HEAD SCREW & STAR WASHER (4req)	TP402/SW	55) LUCAS HORN PAIR	GGE164/5
14) HORN TOP CLIP MK1 & some MK2	204741	56) WIPER MOTOR MOUNT KIT MK1	17H5431K
15) HORN BRUSH (horn push) 2.6"	142534	57) WIPER MOTOR BRUSH SET MK1	508170
15) HORN BRUSH (horn push) 3.4"	108657	58) WIPER MOTOR GEAR & ROD MK1	513962
16) LIGHT DIM SWITCH MK1 & MK2	35782	59) WIPER MOTOR MK1 (exchange core)	513961
16) LIGHT DIM SWITCH MK3	35859	60) WIPER MOTOR MOUNTING PAD	150844
16a) LABEL LIGHT SWITCH up to KC50000	611013	61) BOLT PLAIN WASHER & LOCK WASHER	HU704/LW
16b) LABEL LIGHT SWITCH from KC50001	621968	62) WIPER MOTOR STRAP RUBBER	150845
17) OVERDRIVE SWITCH MK3	39166	62) WIPER MOTOR STRAP WITH RUBBER	BHA4790
18) BRAKE LIGHT SWITCH	34933	63) WIPER MOTOR GEAR	520101
19) HORN RELAY LUCAS	SRB411	64) WIPER MOTOR BRUSH SET	RTC198A
19) OVERDRIVE RELAY LUCAS	SRB111	65) WIPER MOTOR PARK SWITCH	520160A
20) FLASHER UNIT MK1	SFB105	66) GROMMET	131155
20) TURN FLASHER UNIT MK2 & MK3	GFU2125	67) WIPER RACK	37H5208
20) HAZARD FLASHER UNIT MK3	GFU2204	68) WINDSHIELD WIPER MOTOR MK2 & MK1	LRW110
21) REVERSE LIGHT SWITCH	UKC930		
21) OVERDRIVE INHIBITOR SWITCH	UKC930		
22) BOLT, WASHERS & NUT	HU857/WN		
23) REBUILT GENERATOR MK1 \$35.00 core charge	209000		
24) MOUNTING BRACKET	143437		
25) BOLT & WASHER	HB814/W		
26) BOLT AND LOCK WASHER (2req)	HU806/LW		
27) LOCK NUT	TN3211		
28) PEDESTAL	59015		
29) BOLT & WASHER	59115		
30) NUT	509309		
31) GENERATOR PULLEY	147906		
32) GENERATOR FAN	147333		
33) GENERATOR BRUSHES	509302		
34) FUSE 35AMP (3req)	GFS35		
35) FUSE BOX WITH COVER	521030		
36) ALTERNATOR RECTIFIER	AEU4152		
37) ALTERNATOR BOLT, WASHER & NUT	HB839/WN		
38) ALTERNATOR SPACER	147483		
39) BOLT & LOCK WASHER (2req)	HU808/LW		
40) MOUNTING BRACKET USED	214268		

## Connectors & Wiring Harnesses

SINGLE BULLET CONNECTING SLEEVE	BW311
DOUBLE BULLET CONNECTING SLEEVE	BW312
TRIPLE BULLET CONNECTING SLEEVE	BW323
BULLET CONNECTORS	BW309
STD ALTERNATOR PLUG KITS	CYB400
MAIN & BODY HARNESS MK1	308411
MAIN & BODY HARNESS MK2 from KC50000	308601
MAIN & BODY HARNESS MK2 1970 only	308601/70
MAIN & BODY HARNESS MK3 up to KF2000	312358
MAIN & BODY HARNESS MK3 from KF2000	313301
REVERSE LIGHT HARNESS NON O/D	147777
O/D HARNESS (inc relay harness) MK1 & MK2	145908
O/D RELAY HARNESS MK1 & MK2	147668
O/D GEARBOX HARNESS MK3	155985
OVERDRIVE EXTENSION HARNESS MK3	155984
OVERDRIVE SHIFT LEVER HARNESS MK3	153726
TAILGATE HARNESS (HEATER)	150516
EARTH LEAD RACK TO ENGINE	134301
HEADLAMP HARNESS (2req)	BAU2110

# Electrical Components



## Interior Components

1) BLACK DOOR PANELS MK1 & MK2 (1req)	DP1561A
1) BLACK DOOR PANELS MK3 (1req)	DP1635A
1) RED DOOR PANELS MK1 & MK2 (1req)	DP1561M
1) MIDNIGHT BLUE DOOR PANELS MK1 & MK2 (1req)	DP1561MB
1) LIGHT TAN DOOR PANELS MK1 & MK2 (1req)	DP1561LT
1) NEW TAN DOOR PANELS MK3 (1req)	DP1635NT
1) SHADOW BLUE DOOR PANELS MK3 (1req)	DP1635SB
2) DOOR PANEL CLIP KIT (44clips included)	DP1583
3) DOOR TOP CAPPING RH	DC1645A
3) DOOR TOP CAPPING LH	DC1644A
4) BLACK WHEEL ARCH KIT MK1 & MK2	WA1562A
4) BLACK WHEEL ARCH KIT MK3	WA1636A
4) RED WHEELARCH KIT MK1 & MK2	WA1562M
4) RED WHEELARCH KIT MK3	WA1636M
4) LIGHT TAN WHEEL ARCH KIT MK1 & MK2	WA1562LT
4) MIDNIGHT BLUE WHEEL ARCH KIT MK1 & 2	WA1562MB
4) NEW TAN WHEEL ARCH KIT MK1 & MK2	WA1562NT
4) SHADOW BLUE WHEEL ARCH KIT MK2	WA1562SB
4) SHADOW BLUE WHEEL ARCH KIT MK3	WA1636SB
4) NEW TAN WHEELARCH KIT MK3	WA1636NT
4a) WHEELARCH CLIPS (14req)	GHF1230
5) BLACK HEADREST COVER 1973 ONLY (2req)	THC1530A
5) CHESTNUT HEADREST COVER 1973 ONLY (2req)	THC1533
5) NEW TAN HEADREST COVER 1973 ONLY (2req)	THC1534NT
5) SHADOW BLUE HEADREST COVER 1973 ONLY (2req)	THC1534SB

### MK1 Lowback 1966-68 Seat Cover Kit

6) BLACK LOW BACK MK1 SEAT COVER KIT (1req)	SC1530A
6) RED LOW BACK MK1 SEAT COVER KIT (1req)	SC1530M
6) MIDNIGHT BLUE LOW BACK MK1 SEAT COVER KIT	SC1530MB

### GT6+ 1969-70 Seat Cover Kit

6) BLACK HIGH BACK NON RECLINING MK2 (diamond	SC1532A
6) BLACK HIGH BACK RECLINING MK2 (perforated flute	SC1537A
6) RED HIGH BACK RECLINING MK2 (plain flutes)	SC1538M
6) LIGHT TAN HIGH BACK RECLINING MK2 (plain flutes	SC1538LT
6) MIDNIGHT BLUE HIGH BACK RECLINING MK2 (plain	SC1538MB

### MK3 1971-72 Seat Cover Kit High Back

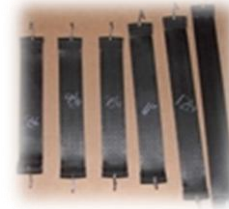
6) BLACK HIGHBACK (perforated flutes)	SC1535A
6) RED HIGHBACK (plain flutes)	SC1526M
6) SHADOW BLUE HIGHBACK (plain flutes)	SC1526SB
6) NEW TAN HIGHBACK (plain flutes)	SC1526NT

### MK3 1973 Seat Cover Kit

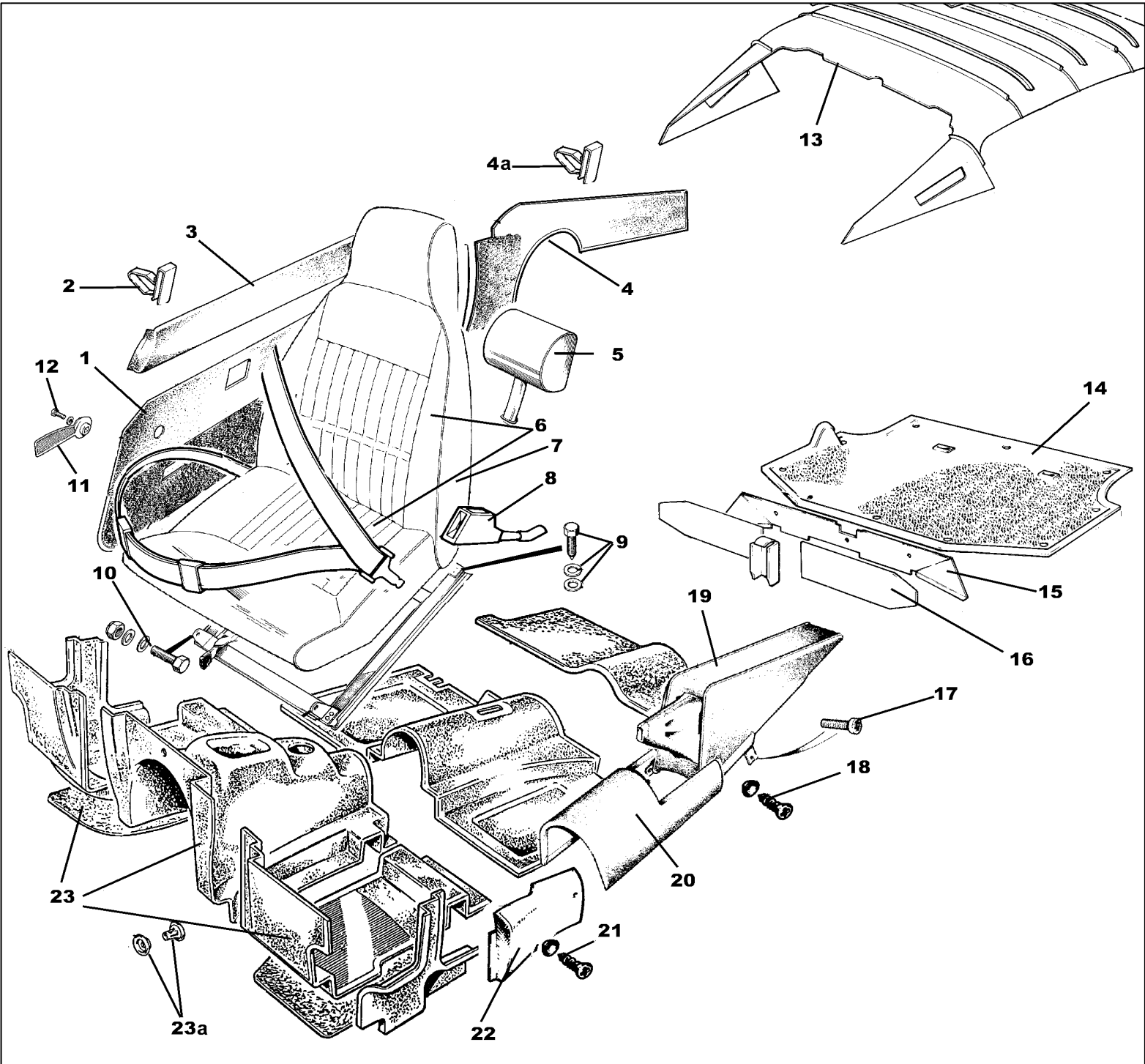
6) BLACK CLOTH FACED	SC1556A
6) NEW TAN CLOTH FACED	SC1556NT
6) BLACK VINYL (perforated)	SC1552A

## Seat Foams

7) SEAT FOAM KIT MK1 LOW BACK (1req)	SF121
7) SEAT FOAM KIT MK2 HIGH BACK (1req)	SF127
7) SEAT FOAM HIGH BACK 1971-72 (2req)	SF128
7) SEAT FOAM BACK 1973 (2req)	SF102
7) SEAT FOAM BASE 1971-73 RH (1req)	SF100
7) SEAT FOAM BASE 1971-73 LH (1req)	SF101
SEAT BASE STRAP KIT MK1 & MK2 GT6 (2)	ST668
SEAT BACK STRAP KIT MK1 & MK2 GT6 (2)	ST1530
SEAT BACK STRAP KIT MK3 GT6 (2req)	ST1540



8) RETRACTING SEAT BELT PAIR (1req)	XKC2528SA
8) LAP SEAT BELT KIT (2req)	712600
9) BOLT, WASHER & LOCK WASHER (8req)	HU707/W
10) BOLT, WASHER & LOCK NUT (4req)	HU807/LN
11) HANDLE MK3 (2req)	717105
12) SCREW & WASHER (2req)	508194
13) HEADLINING (white) MK2 & MK3	HL1638W
13) HEADLINING (black) MK2 & MK3	HL1638A
13) HEADLINING (white longhorn) MK1	HL1637L
14) REAR DECK CARPET MK1 & MK2 41.5"	CK1609A
14) REAR DECK CARPET MK1 & MK2 31.5"	CK1608A
14) REAR DECK CARPET MK3 ONLY	CK1610A
15) TAILGATE PANEL KIT MK3	TP1637
16) TAILGATE PANEL KIT MK1 & MK2	TP1563
17) SCREW	GHF425
18) SCREW (2req)	AD610053
19) ARMREST REC KIT (BLACK) MK1 & MK	AR1698A
19) ARMREST REC KIT (BLACK) MK3	AR1688A1
19) ARMREST REC KIT (SHADOW BLUE) MK	AR1695SB
19) ARMREST REC KIT (NEW TAN) MK3	AR1693NT
20) TUNNEL COVER (BLACK)	AR1632A1
20) TUNNEL COVER (SHDW BLUE) MK3	AR1632SB
20) TUNNEL COVER (NEW TAN) MK3	AR1632NT
20) TUNNEL COVER (RED) MK3	AR1632M
21) SCREW & CUP WASHER (2req)	CD2415
22) KNEE PAD LH (BLACK)	AR1633A1
22) KNEE PAD RH (BLACK)	AR1634A1
23) MOULDED CARPET (rear deck not includ	CK1606A
23) DELUXE CARPET KIT MK1 (includes rea	SBK822
23) DELUXE CARPET KIT MK2 (inc 31.5" re	SBK823A
23) DELUXE CARPET KIT MK2 (inc 41.5" re	SBK823B
23) DELUXE CARPET KIT MK3 1971-72 (inc	SBK824
23) DELUXE CARPET KIT MK3 1973 (inc re	SBK825
23a) CARPET SNAP KIT	SBK57
23b) RUBBER FLOOR MATS WITH TRIUMP	SBK620
23c) CARPET FLOOR MATS WITH TRIUMP	SBK620A



### Carpet Floor Mats



## Interior Components Continued.

24) REAR VIEW MIRROR MK1 NON DIPPING	614090/X	43) ASHTRAY ASSEMBLY	613186
25) REAR VIEW MIRROR BASE	RTC1006	44) ABS DASH TOP COVER MK3	DTSPIT4
26) SCREW BLACK (2req)	512461	44) COMPLETE CRASH PAD ASSEMBLY M	815281
27) SCREW	SG104161	45) DASHBOARD (Walnut)	SBK40/W
28) MIRROR STALK	632091STALK	46) SCREW CHROME MK1 (2req)	509556
29) REAR VIEW MIRROR	632091	46) SCREW BLACK MK2 & MK3 (4req)	AD608084
31) SCREW PIVOT MK2 (2req)	HU704	47) SPIRE CLIP (4req)	FU2554
32) WASHER MK2 (2req)	WP7	48) PASSENGERS GLOVE BOX MK1	GB1633A
33) SUN VISOR MOUNTING BRACKET RH MK2	812685	48) PASSENGER GLOVE BOX MK2 & MK3	GB1621B
33) SUN VISOR MOUNTING BRACKET LH MK2	812684	49) SET SCREW, WASHER & NUT (4req)	HN2005/N
34) SCREW ATTACHMENT (4req)	512156	50) BOLT & WASHERS (2req)	HU504/W
34) SCREW ATTACHMENT (2req)	AD608084	51) GLOVE BOX RAIL RH	CR1624A
35) SUN VISOR BAR OUTER RH MK2	812762	52) SCREW & WASHER (4req)	AB608055
35) SUN VISOR BAR OUTER LH MK2	812761	53) SPIRE CLIP (4req)	FU2564
36) SUN VISOR BAR INNER MK2 (2req)	812760	54) DASHBOARD SUPPORT RECOVER MA	CR1625A
37) SUN VISOR INNER BAR RETAINER MK2	622431	54a) USED DASHBOARD SUPPORT BRACK	810681/U
38) SCREW MOUNTING MK2 (2req)	511384	55) CHROME BOLT WITH WASHERS (4req)	624818/W
39) PASSENGER SUN VISOR MK2 & MK3 (black)	823321	56) SCREW, WASHERS & LOCK NUT(2req)	515279
39) DRIVER SUN VISOR MK2 & MK3 (black)	823381	57) GLOVE BOX RAIL LH	CR1623A
40) SCREW & WASHER MK3 (4req)	PX504/W	58) RIVET& WASHER (6req)	565756
41) SUN VISOR BRACKETS LH MK3 (2req)	630932	59) DRIVERS GLOVE BOX MK1	GB1632A
42) SUN VISOR BRACKETS RH MK3 (2req)	630933	59) DRIVERS GLOVE BOX MK2 & MK3	GB1621A

