

## Body Mouldings & Trim

1) FRONT FENDER MOULDING MK1 (2 req)	710086	9) GT6 BADGE MK1	619860
1) FRONT FENDER MOULDING MK2 (2 req)	706556	10) FIXING	GHF1532
2) CLIPS FRONT & REAR MOULDING (40req) MK1	614107	11) TRIUMPH LETTER SET	703862/S
2) CLIPS FOR FRONT MOULDING (32req) MK2	613766	12) STRIKE PLATE MOUNTING SCREWS (2) CX2506	
2) CLIPS FOR REAR MOULDING (16req) MK2/3	613766	13) TAILGATE LOCK STRIKE PLATE	619383
3) CLIPS FOR REAR MOULDING (4req) MK2/3	613886	14) TAILGATE HANDLE / LOCK MK1 & MK2	710497
3) CLIPS FOR FRONT MOULDING (4req) MK2	613886	14) TAILGATE HANDLE / LOCK MK3	722676
4) CLIPS FOR SILL MOULDING (16req)	GHF1154	15) MOUNTING SCREWS FOR TRUNK LOCK KX4505	
4a) SILL MOULDING RH	712986	16) SCREW	PX504
5) COMMISSION PLATE 1970 - 1972	CNP61	17) LOCK MECHANISM	710290
5) COMMISSION PLATE 1973	CNP62	18) TAILGATE HANDLE GASKET	624729
6) REAR FENDER MOULDING MK1 RH & LH	710686/7	19) TRUNK LOCK TUMBLER AND KEY MK3	722675/T
6) REAR FENDER MOULDING MK2 (2 req)	707319	20) TAILGATE SEAL 66-73	610657
6) REAR FENDER MOULDING MK3 Black (2 req)	715693	21) TAILGATE GLASS 66-73	722661
6) REAR FENDER MOULDING MK3 Stainless (2 req)	715693/SS	22) TAILGATE GLASS SEAL 66-73	904487
7) TRIUMPH BADGE MK2	622260	23) TAILGATE GLASS SEAL FINISHER 66-7	613955
8) GT6 + BADGE USA MK2	622497	24) FINISHER CLIP 66-73	611437

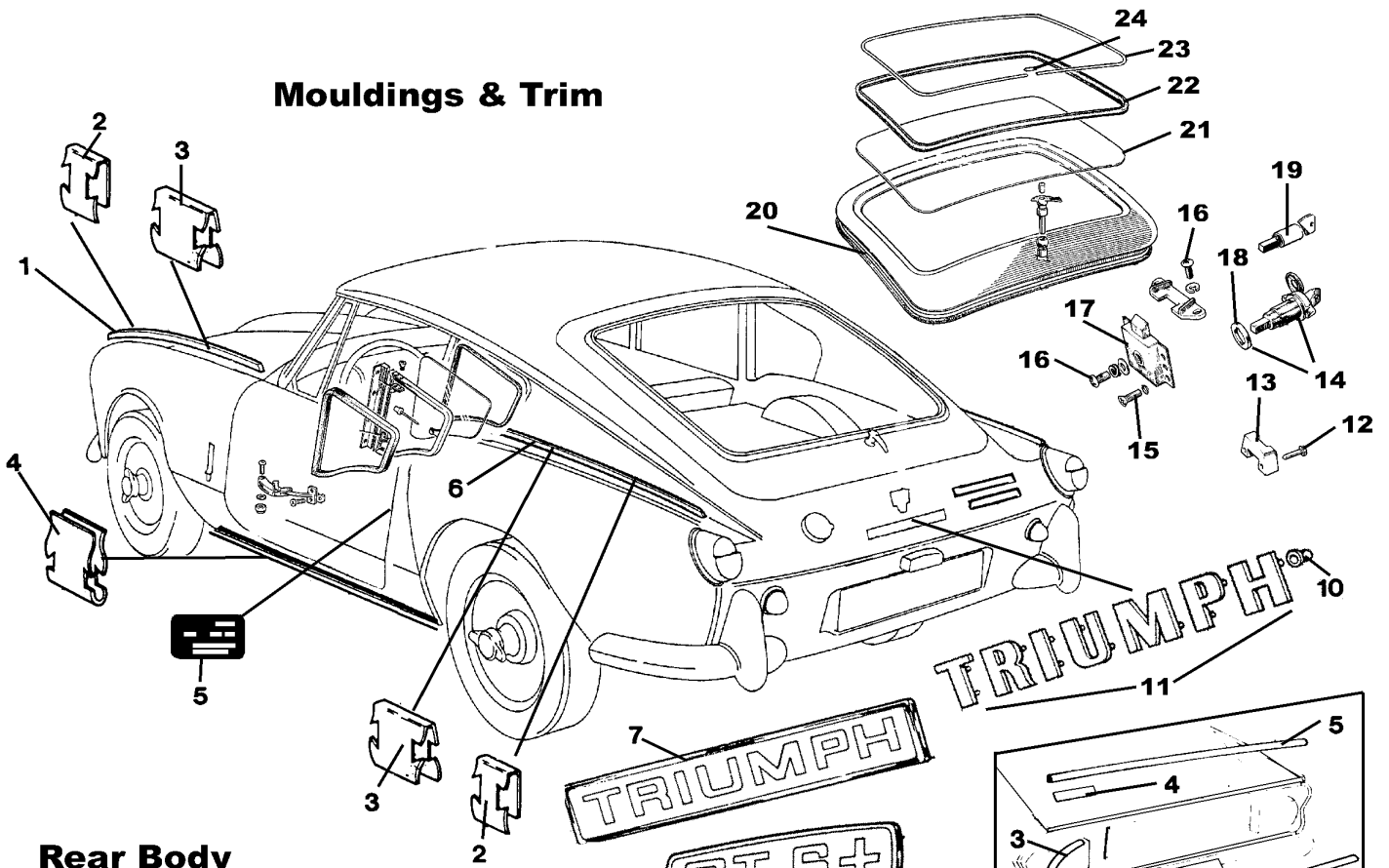
## Rear Bodywork

1) REAR LOWER REPAIR INNER RH MK3	TS51RH
1) REAR LOWER REPAIR INNER LH MK3	TS51LH
2) REAR VALENCE MK1 & MK2	TS27
2) REAR VALENCE O.E MK1 & MK2	569900
2) REAR VALENCE MK3	TS28
3) REAR LIGHT PANEL MK3	815395
4) INNER WHEEL WELL RH 66-73	TS64RH
4) INNER WHEEL WELL LH 66-73	TS64LH
5) TOP SHOCK MOUNT LH	714655
5) TOP SHOCK MOUNT RH	714656
6) OUTER WHEEL WELL RH 71-73	TS50RH
6) OUTER WHEEL WELL LH 71-73	TS50LH
6) OUTER WHEEL WELL RH 66-70	SB1477
6) OUTER WHEEL WELL LH 66-70	SB1478
7) REAR FENDER RH 66-70 (UPS Oversize charge)	576409
7) REAR FENDER LH 66-70 (UPS Oversize charge)	576408
7) REAR FENDER MK3 RH (UPS Oversize charge)	TS33RH
7) REAR FENDER MK3 LH (No fuel cutout) (UPS Oversize charge)	TS33LH
8) LOWER EDGE TRIM MK3 (2req)	715821
8) LOWER EDGE FENDER TRIM MK1 & MK2 (2 req)	706600
9) REAR LOWER REPAIR PANEL LH MK1 & MK2	TS66LH
9) REAR LOWER REPAIR PANEL RH MK1 & MK2	TS66RH
9) REAR LOWER REPAIR OUTER LH MK3	TS21LH
9) REAR LOWER REPAIR OUTER RH MK3	TS21RH
10) REAR FENDER REPAIR 66-73 RH	TS20RH
10) REAR FENDER REPAIR 66-73 LH	TS20LH
11) B POST ASSEMBLY RH	TS46RH
11) B POST ASSEMBLY LH	TS46LH
13) FRONT INNER FENDER MK1 - MK3 LH	909661F
13) FRONT INNER FENDER MK1 - MK3 RH	909662F
14) REAR INNER FENDER MK3 LH	909661R
14) REAR INNER FENDER MK3 RH	909662R
14) REAR INNER FENDER MK1 & MK2 LH	903148R
14) REAR INNER FENDER MK1 & MK2 RH	903149R

## MK3 Rear Light Panel Mouldings

1) CLIPS FOR VALANCE & TOP MLDG (14req)	GHF1154
2) CLIPS REAR MOULDING (8 req)	613886
3) REAR MOULDING LH	815023
3) REAR MOULDING RH	815024
4) MK3 GT6 BADGE	624738
5) TOP MOULDING	715696
6) REAR VALENCE MOULDING	715697

# Mouldings & Trim



# Rear Body

