

Engine Mounts

1) ENGINE MOUNTS (2req)	UKC5334
2) LOCK NUT & WASHER (2req)	YN2909/W
3) MOUNTING BOLTS & LOCK NUTS (2req)	MHDW1

Gearbox Mount O/D

1) BOLT, WASHERS & NUT (2req)	HU806/WN
2) BOLT & WASHERS (2req)	HU957/W
3) GEARBOX MOUNT O/D	159656
4) BOLT, LOCK WASHER & NUT (4req)	HU805/WN
5) MOUNTING PLATE J TYPE	TKC1407
5) MOUNTING PLATE D TYPE	148897

Gearbox Mount Non O/D

1) GEARBOX MOUNT (2req)	122689
2) MOUNTING CRADLE	136890
3) MOUNTING PLATE	TKC484
4) BOLT & WASHERS (2req)	HU806/W
5) BOLT, LOCK WASHER & NUT (4req)	HU805/WN
6) NUT & WASHERS (2req)	HN2008/W

Oil Filter

1) OIL FILTER ADAPTER 5/8" TO 3/4"	SLP178
2) OIL FILTER 5/8"	GFE150
2) OIL FILTER 3/4" (needs adapter # 1)	GFE121

Oil Cooler

1) OIL COOLER 13 ROW	SBK23
1) OIL COOLER 16 ROW	SBK24

Oil Cooler Hose Kit

1) STAINLESS STEEL HOSE KIT	SBK21
1) RUBBER HOSE KIT	SBK22

Engine Lifting Eye

REAR ENGINE LIFTING EYE	UKC3653
-------------------------	---------

Engine Gaskets

1) HEAD GASKET SET up to FK25000E (1972)	CCK525
1) HEAD SET (payen head gasket) up to FK25000E (1972)	CCK525PAY
1) HEAD GASKET SET from FK25000E 1972 -1980	CCK261
1) HEAD SET (payen head gasket) from FK25000E 1972-1980	CCK261PAY
2) MANIFOLD GASKET	GEG648
2) MANIFOLD GASKET HEAVY DUTY	AJM648
3) HEAD GASKET 1300 up to FK25000E (1972)	GEG374
3) HEAD GASKET 1300 up to FK25000E PAYEN	AK520
3) HEAD GASKET from FK25000E (1972-80) REPRO	GEG373
3) HEAD GASKET from FK25000E (1972-80) PAYEN	AK260
4) VALVE COVER GASKET	GEG414
5) WATER PUMP HOUSING GASKET	138702
6) DISTRIBUTOR HOUSING GASKET (.006)	104939
7) THERMOSTAT GASKET	GTG103
8) EXHAUST GASKET CARS WITHOUT CATALYST	GEG701
8) EXHAUST GASKET CARS WITH CATALYST	GEG742
9) LOWER GASKET SET	CEG091
10) TIMING COVER GASKET	211126
11) ENGINE PLATE GASKET	215350
12) FUEL PUMP GASKET	138791
13) OIL PAN GASKET	GEG517
14) WATER PUMP GASKET	138701
15) HORSE SHOE GASKET	105321
16) ALUMINUM BLOCK GASKET	UKC8321
17) WOOD PACKING PIECE	36234

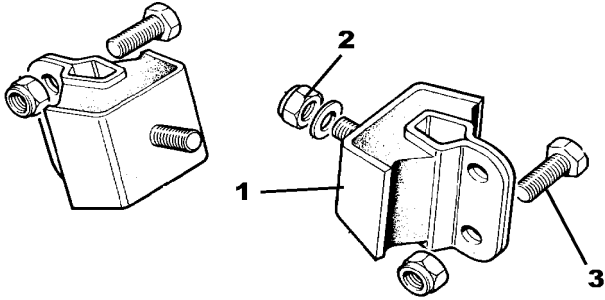
Performance Parts (not illustrated)

HEAVY DUTY INLET/EXHAUST MANIFOLD GASKET	AJM648
ROCKER OIL FEED KIT	TRIRFP4
CAM FOLLOWER DRILLED & PHOSPHATED	143552DRILL
LARGE INTAKE VALVE 1.44"	V34487
LARGE EXHAUST VALVE 1.23" STAINLESS STEEL	V34488
LIGHTENED FLYWHEEL 3/8" OR 7/16" BOLT HOLES	TKC1840L
weighs 10.2 LBS Standard flywheel weighs 16.6 LBS 40% less weight!!	

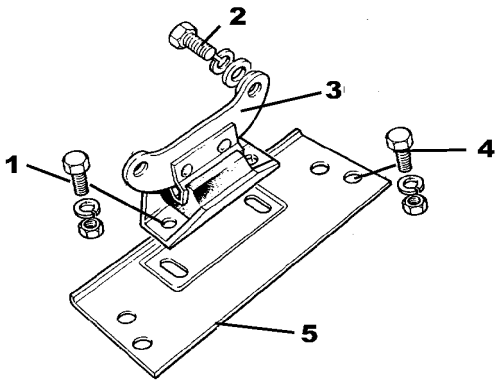
Heavy Duty Tri Metal Engine Bearings

ROD BEARING SET STD .010, .020	CB91611
MAIN BEARING SET STD .010, .020	CB91612

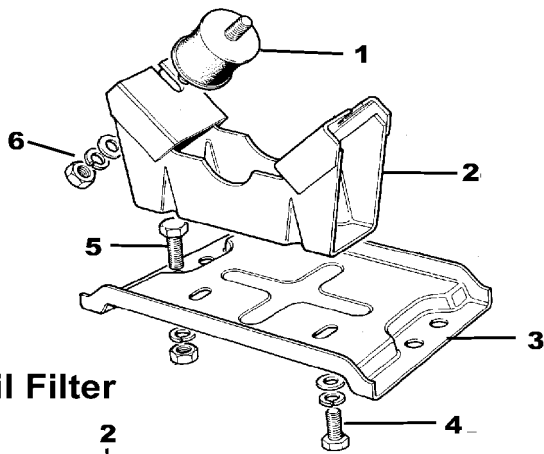
Engine Mounts



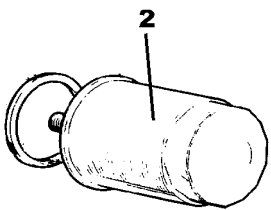
Gearbox Mount O/D



Gearbox Mounts Non O/D



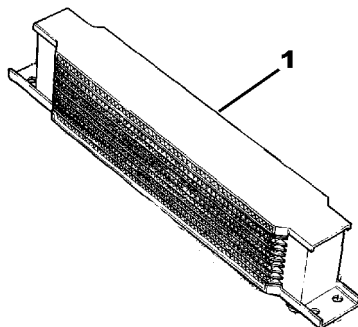
Oil Filter



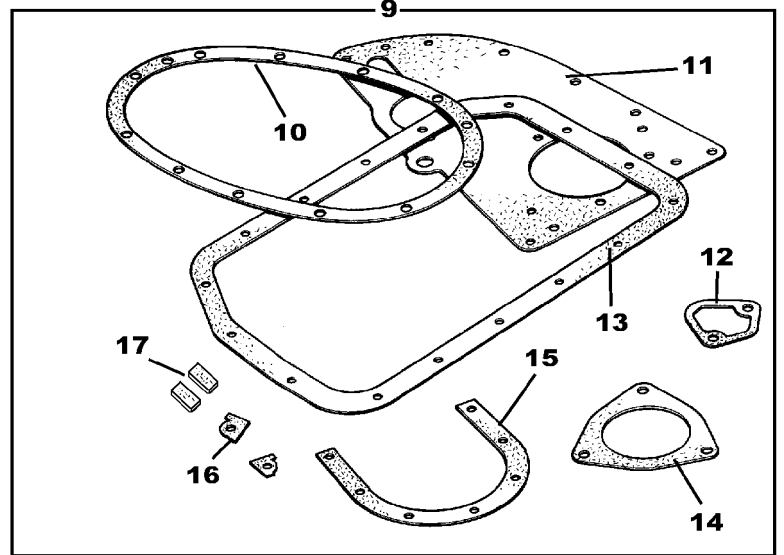
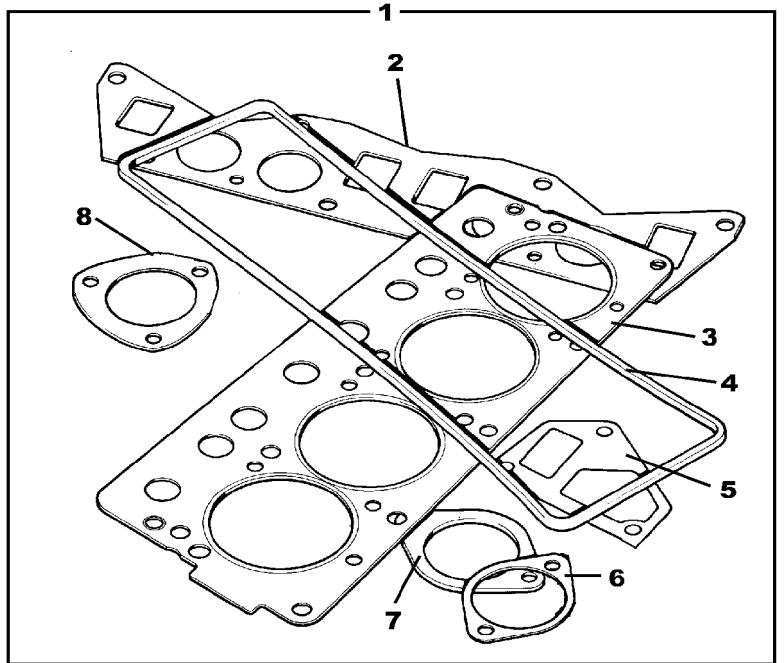
Oil Filter Adapter



Oil Cooler



Engine Gaskets



Oil Cooler Hose Kit

