

Manifolds & Components

1) MANIFOLD GASKET	GEG648
2) EXHAUST MANIFOLD CATALYST	TKC6428
2) EXHAUST MANIFOLD NON CATALYST	308086
3) EXHAUST MANIFOLD STUD INNER (6req)	105125
3) EXHAUST MANIFOLD STUD OUTER (2req)	105124
4) MANIFOLD CLAMP LARGE (2req)	137845
5) MANIFOLD CLAMP SMALL (4req)	58258
6) WASHER (8req)	WP9
7) NUT NON CATALYST (8req) CATALYST (6)	100498
8) NUT CATALYST EQUIPPED CARS (2req)	CHA360
9) HEATER PIPE STAINLESS (manual choke)	212935/SS
9) HEATER PIPE (auto choke equipped cars)	TKC1855
10) HOSE CLAMP (4req)	UKC6723
11) WATER HOSE 1971-1974	149700
11) WATER HOSE from 75 (manual choke cal)	UKC5285
12) ROLL PIN	DS2512
13) PLUG CA FM80001>, FED FM110001>	122132
14) ADAPTER CA < FM80000, FED < FM1100	159942
15) FIBER WASHER (when item 13 is used)	WF513
15) FIBER WASHER (when item 14 is used)	WF524
16) INTAKE MANIFOLD	
17) EXHAUST STUD NON CATALYST (3req)	101962
18) LOCK WASHER NON CATALYST (3req)	WL208
19) BRASS NUT NON CATALYST (3req)	515369
20) STUD	129383
21) SLEEVE NUT	101302
22) OLIVE	TL11
23) ADAPTER	101343
24) WATER RETURN HOSE up to FM80001	149700
25) ADAPTER	138530
26) WASHER	WF524

Emission System USA & CA up to FM80,001

1) AIR INJECTION RAIL	RKC1883
2) CHECK VALVE	UKC2643
3) HOSE CHECK VALVE	UKC5916
4) DIVERTER VALVE	TKC1424
5) GASKET	UKC2683
6) HOSE	UKC-3126
7) AIR PUMP \$15.00 core charge	RKC698
8) AIR PUMP BELT	TKC1615
11) CARBON CANISTER	TKC1331
12) ANTI RUN ON VALVE	12H4295
EGR VALVE	TKC1470
T FITTING BREATHER HOSE 1973-74	154211
EMISSION LABEL CATALYST 1978	ELS578

(above label fits on driver side b post)

Sports & Stainless Steel Exhaust Systems

BELL STAINLESS STEEL HEADER	SBK36
DOUBLE 'S' STAINLESS STEEL HEADER	SBK35
BELL STAINLESS STEEL SPORTS SYSTEM	SBK48
BELL INSTALL KIT (includes clamps and hang	BSIK1

Exhaust System

1) EXHAUST GASKET (cars without catalytic convert	GEG701
1) EXHAUST GASKET (cars with catalytic converter)	GEG742
2) FRONT PIPE 1971 - 1977 STAINLESS STEEL	SU2283
4) INTERMEDIATE PIPE STAINLESS STEEL	BSTH1149
5) FLANGE BOLT, WASHER & NUT	EHDW5
5a) FLANGE	90/557379
6) CATALYTIC CONVERTER FEDERAL CARS	TR3301
6) CATALYTIC CONVERTER CALIFORNIA	TR83301
7) EXHAUST COUPLING	GEX7623
8) EXHAUST BRACKET	GEX7511
9) EXHAUST CLAMP (2req)	GEX7509
10) BOLT,NUT AND WASHERS	EHDW1
11) HANGER PLATE (4req)	105290
12) HANGER STRAP (2req)	GEX7359
13) SLEEVE (4req)	155249
14) BOLT, NUT AND WASHERS (4req)	EHDW2
15) MUFFLER UP TO FM10,000U (1973)	SU2313
15) MUFFLER AFTER FM10,000U (1974-1980)	SU3391
15) MUFFLER AFTER FM10,000U STAINLESS STEE	TH171
STAINLESS SYSTEM 1971 - 1978 NON CATALYST	SBK51
16) MUFFLER CLAMP	GEX7506
17) BOLT, WASHERS AND LOCK NUT	EHDW3
18) GROMMET STEPPED & FLAT	GEX7329/30
19) BOLT, WASHERS & NUT	EHDW7
20) EXHAUST BRACKET	GEX7496

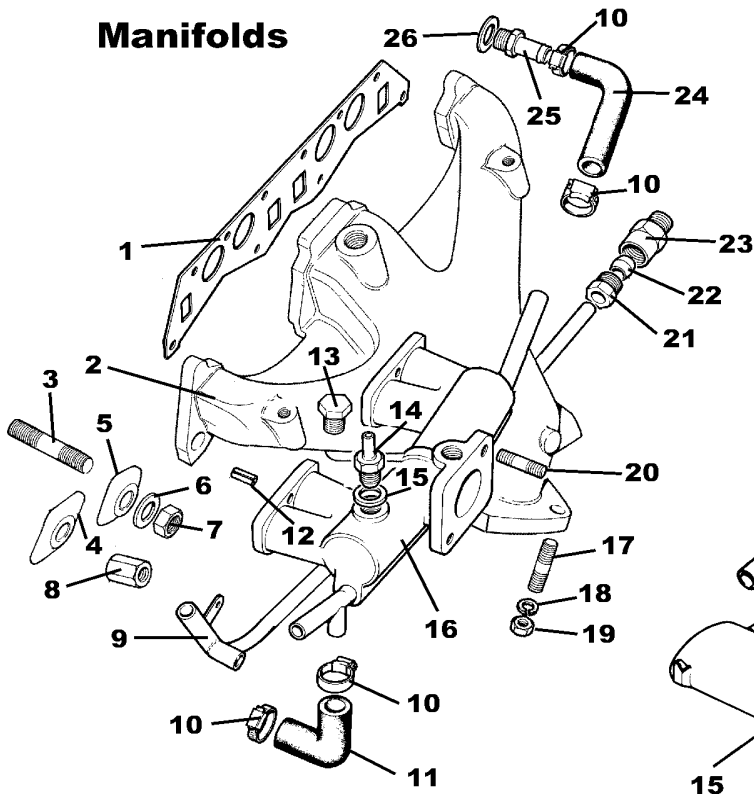
Emission System USA & CA from FM80,001

1) AIR INJECTION RAIL FED from FM 110001	PKC506
1) AIR INJECTION RAIL CA from FM 109890	PKC506
2) AIR INTAKE BLEED VALVE	ULC1637
USA from FM 110001 CA from FM 109890	
3) CHECK VALVE	UKC2643
4) PIPE (CHECK VALVE to EXH MANIFOLD)	TKC3201
5) HOSE (CHECK VALVE to PUMP)	UKC9265
FM 80001 to FM 109890	
5) HOSE CHECK VALVE to PUMP	TKC5479
from FM 109890	
6) UNION	UKC1413
7) OLIVE	TL11
8) EGR PIPE	UKC7722
9) EGR ELBOW	UKC7764
10) EGR VALVE	
11) CARBON CANISTER	TKC1331
12) ANTI RUN ON VALVE	12H4295
AIR PUMP \$15.00 core charge	RKC3137
AIR PUMP BELT	TKC1615
FUEL TRAP	156607

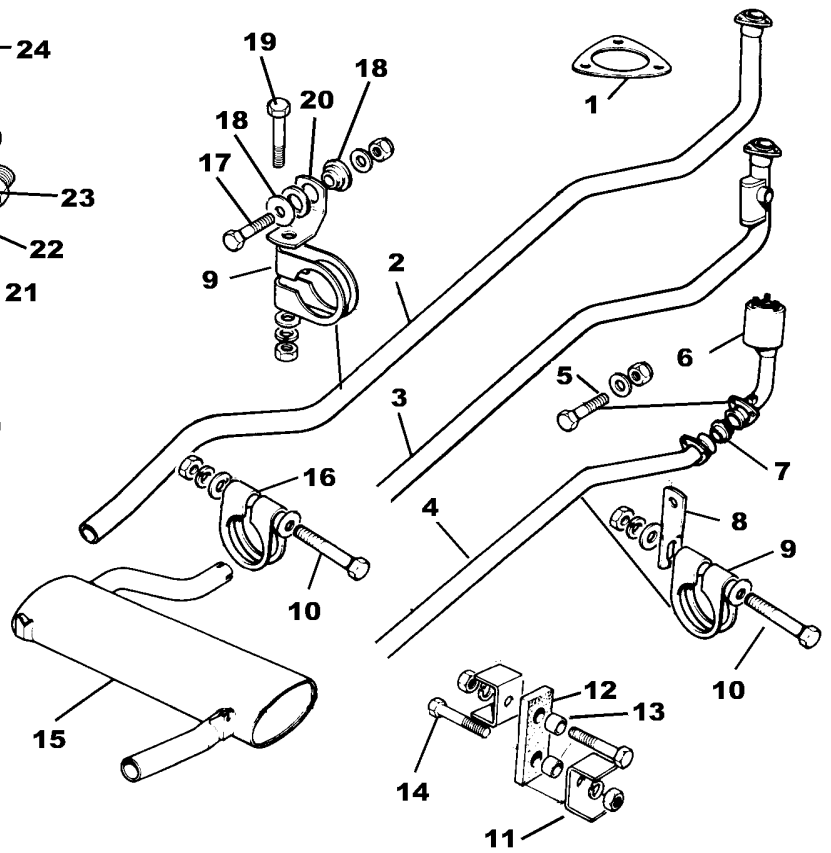
DOUBLE 'S' STAINLESS SPORTS MUFFLER	TH171S
-------------------------------------	--------

Our stainless steel systems are manufactured by Bell Silencers and Double 'S' and are of the highest quality available.

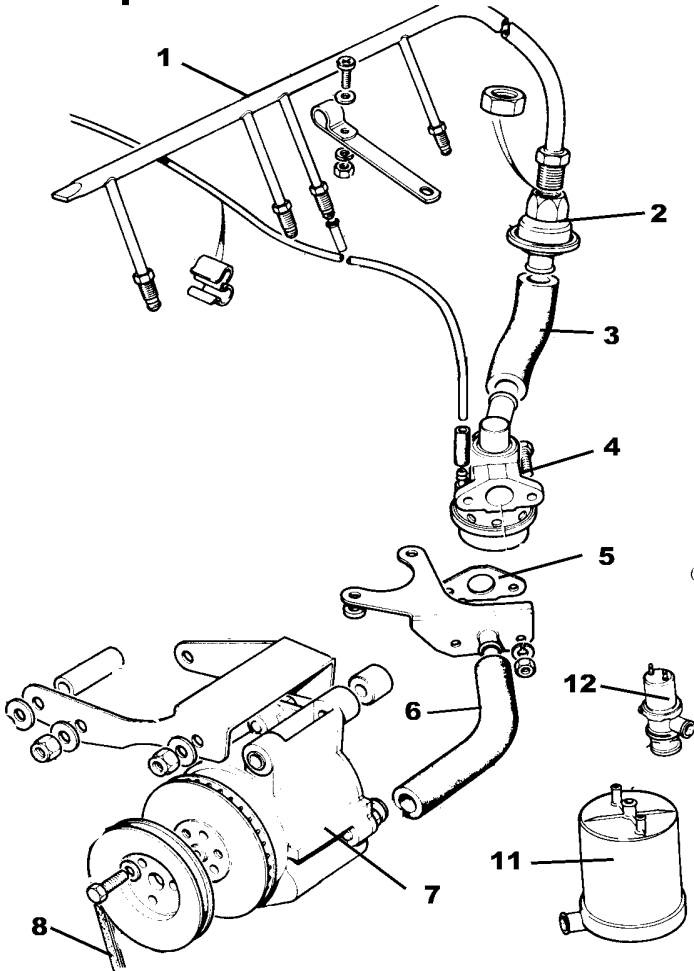
Manifolds



Exhaust System



Emission Controls up to FM80001



Emission Controls from FM80001

