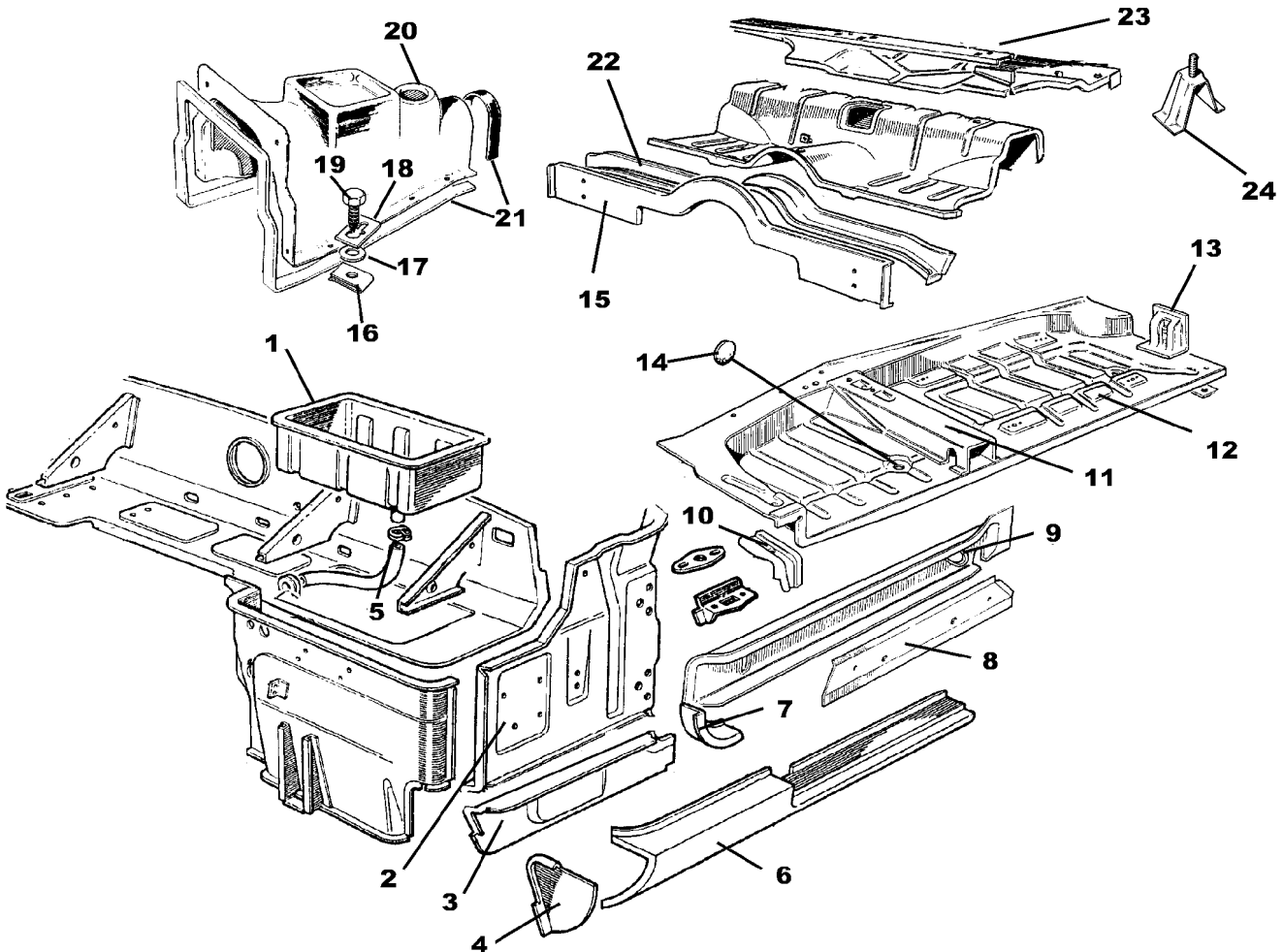


Floor Components

1) BATTERY BOX	TS43	9) INNER SILL LH	TS18LH
2) A POST UPPER REPAIR PANEL LH	TS52A/LH	9) INNER SILL RH	TS18RH
2) A POST UPPER REPAIR PANEL RH	TS52A/RH	10) FRONT BRACKET MOUNTING RH	TS53RH
3) A POST LOWER REPAIR PANEL LH	TS52LH	10) FRONT BRACKET MOUNTING LH	TS53LH
3) A POST LOWER REPAIR PANEL RH	TS52RH	11) FLOOR CROSS MEMBER RH & LH (2req)	TS25
4) SILL CLOSING RH	TS13RH	12) FLOOR PAN LH (UPS oversize 2)	TS22LH
4) SILL CLOSING LH	TS13LH	12) FLOOR PAN RH (UPS oversize 2)	TS22RH
5) CLAMP	CS4012	13) HEELBOARD BRACKET ASSY	TS55
6) ROCKER PANEL LH	TS16LH	14) DRAIN PLUG	BW548
6) ROCKER PANEL RH	TS16RH	15) HEELBOARD	TS54
7) A POST FILLER PANEL LH	TS10LH	16) SPIRE CLIP (8req)	GHF713
7) A POST FILLER PANEL RH	TS10RH	17) WASHER (10req)	WP5
8) INNER SILL STRENGTHENER LH	TS17LH	18) COVER RETAINING PLATE (8req)	608383
8) INNER SILL STRENGTHENER RH	TS17RH	19) SCREW (10req)	YH6507
		20) ABS GEARBOX COVER (UPS oversize)	CC1050
		21) GEARBOX COVER SEALING STRIP	611957
		22) CROSS MEMBER ASSEMBLY TO HEELBOARD	TS62
		23) TRUNK FLOOR	TS30
		24) SPARE WHEEL BRACKET WITH NUT	TS40

Floor Components



Doors

1) EXTERIOR HANDLE LH 1971-76 (CHROME 915633	27) GLAZING STRIP (2req)	613417
1) EXTERIOR HANDLE RH 1971-76 (CHROME 915634	28) PIN (2req)	600832
1) HANDLE PAIR / MATCHING LOCKS (CHROME 915633/4	29) WINDOW WINDER HANDLE (2req)	621811
1) HANDLE PAIR / MATCHING LOCKS (BLACK YKC2837/8	30) HANDLE ESCUTION (2req)	623843
1) EXTERIOR HANDLE LH 1977-80 (black) YKC2837	31) SPRING (2req)	603382
1) EXTERIOR HANDLE RH 1977-80 (black) YKC2838	32) FOAM SEAL (2req)	609649
1a) HANDLE GASKET (2req) not illustrated 577473	33) WINDOW REGULATOR LH	911271
2) STRIKE PLATE SCREW LONG (2req) ZKC37	33) WINDOW REGULATOR RH	911272
2) STRIKE PLATE SCREW SHORT (4req) ZKC38	34) SPACER BLOCK (4req)	613326
3) DOOR LOCK SCREW SHORT (4req) ZKC36	35) WINDOW GLASS RH & LH (2req)	WKC4647
3) DOOR LOCK SCREW LONG (2req) ZKC37	36) DOOR TO WINDSHIELD SEAL (2req)	620403
4) STRIKE PLATE SHIM 621714	37) OUTER WAIST SEAL CLIPS (14req)	613169
5) STRIKE PLATE RH CZA3310	38) OUTER WAIST SEAL (2req)	612792
5) STRIKE PLATE LH CZA3311	39) DRAIN PLUG	BW547
6) DOOR LOCK ASSEMBLY LH USED 907177/U	40) INNER WAIST SEAL (2req)	612806
6) DOOR LOCK ASSEMBLY RH USED 907178/U	41) INNER WAIST SEAL CLIPS (10req)	GHF1582
7) DOOR TRIM FURFLEX BLACK (2req) 707931	42) DOOR HANDLE LOCK MATCHING PAIR	576469
8) BOLT WASHER & LOCK WASHER HU705/LW	43) DOOR SKIN LH	TS12LH
9) CLIP FOR DOOR LOCK ROD (4req) GHF1180	43) DOOR SKIN RH	TS12RH
10) BOLT WASHER & LOCK WASHER (20req) HU705/LW	44) DOOR MIRROR CHROME LH	726385 LH
11) INTERIOR HANDLE LEVER ONLY LH 819801REPAIR	44) DOOR MIRROR CHROME RH	726385 RH
11) INTERIOR HANDLE LEVER ONLY RH 819802REPAIR	45) COMPLETE DOOR LH	TS77LH
12) INTERIOR HANDLE ASSEMBLY LH 819801		
12) INTERIOR HANDLE ASSEMBLY RH 819802		
13) CLIP DOOR ROD TO HANDLE (2req) 937609		
14) BEZEL SCREW (2req) 509278		
15) HANDLE BEZEL LH 819803		
15) HANDLE BEZEL RH 819804		
16) DOOR CHECK SEAL (2req) 602821		
17) CHECK SEAL CLIP (4req) 553121		
18) DOOR CHECK STRAP (2req) 613024		
19) DOOR CHECK STRAP PIN KIT (2req) 613239		
20) SCREW COUNTERSUNK (4req) KX4806		
20) HINGE BOLT & LOCK WASHER (20req) HU807/LW		
21) DOOR HINGE (4 req) 607824		
22) HINGE PIN (4req) 607823		
23) DOOR HINGE GASKET (4 req) 610042		
24) STUD RETAINER (4req) 607867		
25) LEATHER WASHER (8req) 607902		
26) WINDOW GLASS LOWER CHANNEL RH 706790USED		
26) WINDOW GLASS LOWER CHANNEL LH 706789USED		

Door Mirrors

STAINLESS STEEL DOOR MIRROR RH	GAM213
STAINLESS STEEL DOOR MIRROR LH	GAM214
BLACK DOOR MIRROR LH	GAM262
BLACK DOOR MIRROR RH	GAM261
BULLET MIRROR 4.5" HEAD	HAC1528



Bullet Mirror

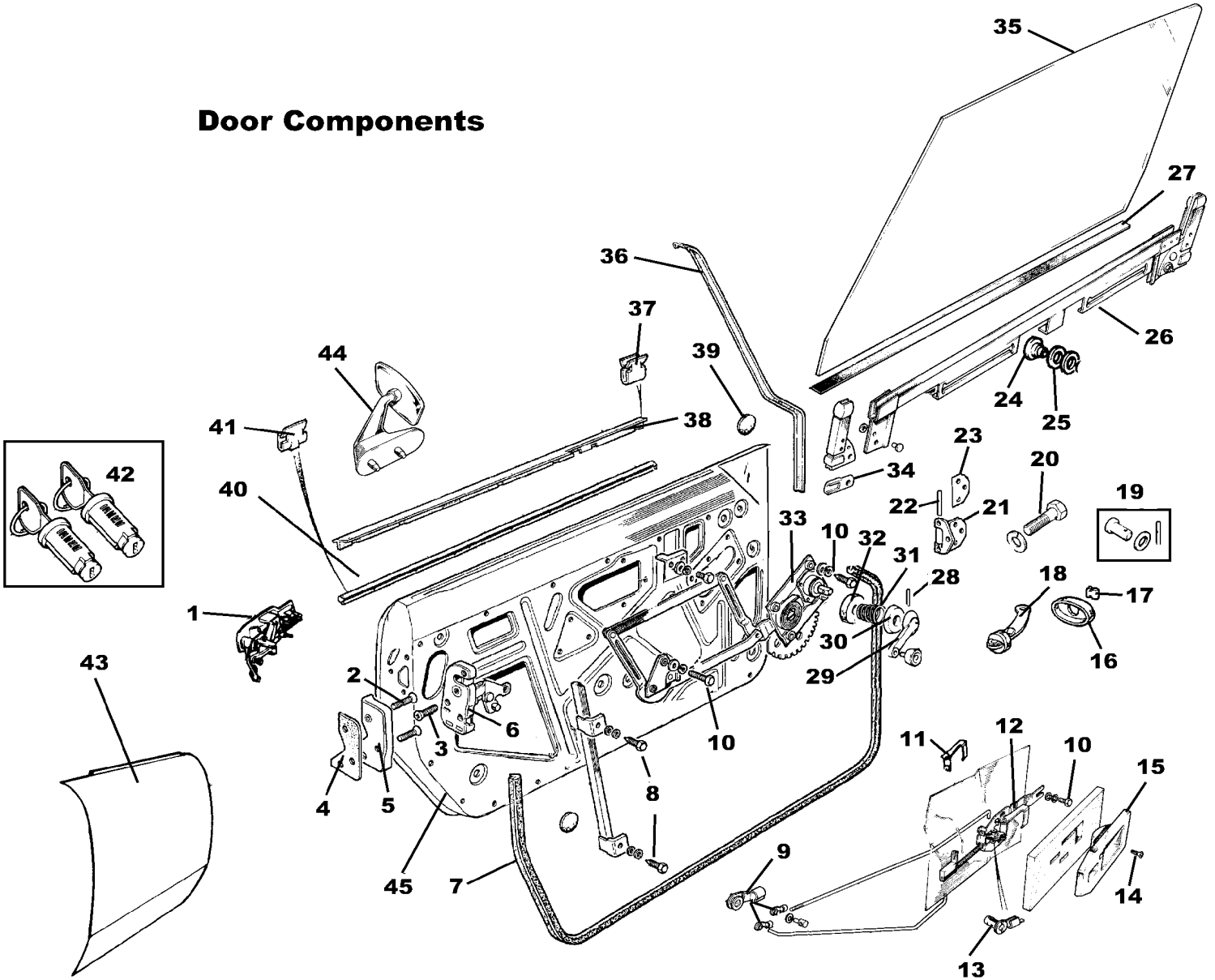
Stainless Steel Tex Mirrors



Black Tex Mirrors



Door Components



Exterior Handle Set



Interior Handle

