

Three Rail Gearbox 71-74

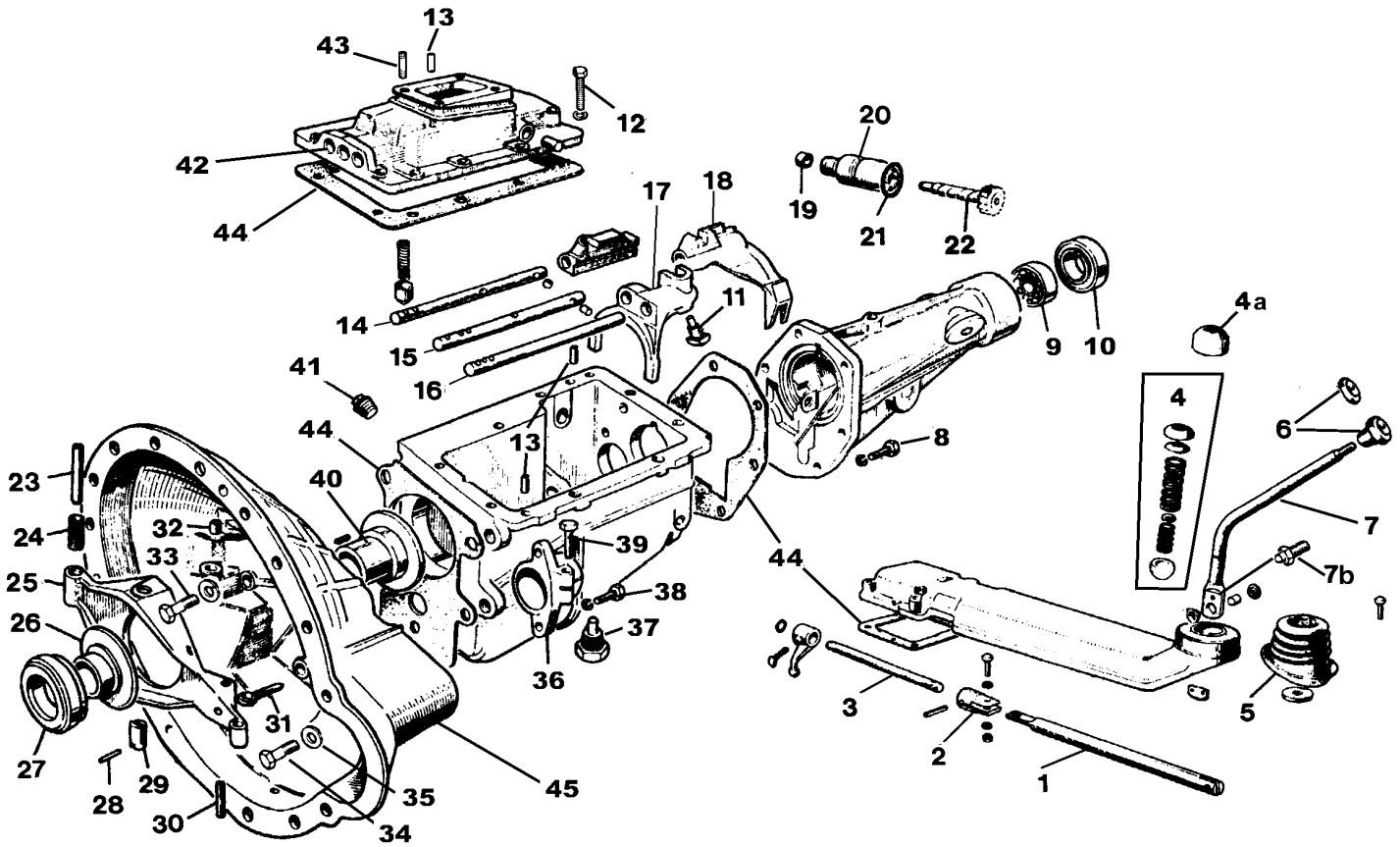
1) OPERATING SHAFT	129120	40) COVER FRONT	122566
2) OPERATING SHAFT COUPLING	127741	41) FILL PLUG	114774
3) OPERATING SHAFT	127740	42) DISH CORE PLUG 5/8" (6req)	104449
4) SHIFT REPAIR KIT	519770	43) STUD (4req)	158003
4a) SHIFT LEVER RETAINER USED	126607	44) GASKET SET NON O/D	515122
5) GEARSHIFT BOOT	710820	44a) GASKET SET O/D	SBK444
5a) GEARSHIFT BOOT RETAINER RING	613607	45) ALLUMINUM BELLHOUSING	312151a
6) WALNUT GEAR SHIFT KNOB NON O/D	SBK619	50) 3 PIECE CLUTCH KIT MK4 1971-1972	CCK8856
6a) LEATHER GEAR SHIFT KNOB NON O/D	150383	50a) 3 PIECE CLUTCH KIT 1500 1973-1974	SBK101
6b) GEAR KNOB O/D (without cap)	153515	50b) CLUTCH PLATE MK4 1971-1972	GCP222
6c) GEARSHIFT CAP O/D	155030	50c) CLUTCH PLATE 1500 1973-1974	GCP103
6d) GEARSHIFT O/D SWITCH	39166	50d) PRESSURE PLATE MK4 1971-1972	GCC197
6e) CHROME GEAR KNOB NUT	C30505	50e) PRESSURE PLATE 1500 1973-1974	GCC196
6f) GEAR KNOB INTERNAL LOCKNUT	C30623	51) PRESSURE PLATE BOLT/ WASHER MK4 (6req)	HU805LW
7) GEAR LEVER O/D	155173	51a) PRESSURE PLATE SCREW 1500 (6req)	146176
7a) USED GEAR LEVER NON O/D	134814	52) MASTER CYL "TRW" (girling)	GMC205
7b) REVERSE STOP SCREW & JAM NUT	118054	52a) CLUTCH MASTER CYL (reproduction)	GMC205Z
8) BOLT AND LOCK WASHER (7req)	HU807/LW	52b) MASTER CYLINDER CAP (reproduction)	106094
9) REAR MAINSHAFT BEARING	157732	53) CLEVIS PIN, WASHER & SPLIT PIN	PJ8808/KIT
10) REAR SEAL	117510	54) MASTER REBUILD KIT O.E (girling)	SP1963
11) SET SCREW SQUARE (2req)	122653	54a) MASTER REBUILD KIT (reproduction)	SP1963X
12) BOLT & WASHER LONG (2req)	HB711	55) SLAVE CYL REBUILD KIT (reproduction)	SP2348X
12) BOLT & WASHER SHORT (7req)	HU707	55a) SLAVE CYL REBUILD KIT O.E	SP2348
13) DOWEL (4req)	DP411	56) CLUTCH LINE (copper nickel)	308160
14) SELECTOR SHAFT REVERSE	154945	57) SLAVE CYL up to 1977 O.E (alloy)	64068370
15) SELECTOR SHAFT 1st & 2nd	146240	57a) SLAVE CYL up to 1977 REPRO (alloy)	144716/X
16) SELECTOR SHAFT 3rd & 4th	108021	57b) SLAVE CYL from 1978 REPRO (cast iron)	GSY103X
17) SELECTOR FORK 3rd & 4th	106268	58) MASTER CYL DUST BOOT	125217
18) SELECTOR FORK 1st & 2nd	113868	59) BOLT & LOCK WASHER (6req)	HU705 / LW
19) OIL SEAL SPEEDO	108757	60) BOLT & 2 WASHERS (2req)	HU705 / W
20) SPEEDO DRIVE BEARING USED	138092/USED	61) CLUTCH PEDAL RETURN SPRING	114438
21) OIL SEAL (2req)	119099	62) PEDAL PAD (2req)	150881
22) PINION SPEEDO DRIVE USED	119100/USED		
23) PIN RELEASE FORK	129410	Items not Illustrated	
23a) IMPROVED RELEASE FORK PIN	129410IMPRO	CLUTCH ALIGNMENT TOOL 10 SPLINE	KB33-07
24) SLEEVE	129412	CLUTCH ALIGNMENT TOOL 20 SPLINE	KB33-29
25) CLUTCH RELEASE LEVER	213032		
26) USED SLEEVE THROWOUT BEARING	139563USED		
27) RELEASE BEARING	GRB207		
28) DOWEL (2req)	DS914		
29) PLUG SLEEVE TO LEVER (2req)	112509		
30) PIN PUSH ROD	112516		
31) PUSH ROD	109182		
32) BUSH RELEASE FORK (2req)	129358		
33) BOLT & LOCK WASHER (4req)	HU909/LW		
34) BELLHOUSING BOLT with shoulder (1req)	509860		
35) COPPER WASHER	500464		
36) BOSS SLAVE CYL USED	206175/U		
37) DRAIN PLUG	155660		
38) BOLT AND WASHER (2req)	HU807/LW		
39) BOLT WASHER & LOCK NUT	HB818/WLN		

Rebuilt Gearbox

REBUILT 3 RAIL NON O/D 1971-74	521069
REBUILT 3 RAIL O/D 1971-73 ("D" type)	521068

(\$150.00 core charge on above rebuilt gearboxes)

Three Rail Gearbox 1971 - 1974



Clutch Components

