

## Rebuilt Steering Rack

REBUILT STEERING RACK (\$35 Core Charge)	307831
NEW 3.75 RATIO STEERING RACK (quick rack)	307831/3.75

## Steering Rack

1) TIE ROD END (2req)	GSJ158
2) CIRCLIP	509537
3) SEAL	128021
4) PINION BUSH	127998
5) INNER TIE ROD (2req)	128023
6) SOCKET BALL JOINT (2req)	158732
7) SHIM .002"	130031
7) SHIM .010"	130032
7) SHIM .004"	153516
8) LOCK TAB (2req)	120957
9) SPRING (2req)	120953
10) STEERING RACK BOOT KIT (with clamps)	QG1010
11) RACK BOOT CABLE TIE	512781
12) BOOT CLAMP SMALL (2req)	CS4009
13) TIE ROD END JAM NUT (2 req)	128022
14) BOOT CLAMP LARGE (1req)	CS4020
15) BLANKING PLUG	145108
16) DAMPER	120946
17) CAP	132053
18) RACK MOUNT CLAMP (2req)	156024
19) RUBBER MOUNT (RACK) (2req)	139386
19) RACK MOUNT KIT (POLY) PAIR	BAC14
20) REINFORCEMENT PLATE (2req)	133875
21) LOCK NUT & PLAIN WASHER (4req)	YN2908/W
22) BUSH	128002

## Factory Wheels and Alloy Wheels

1) USED PRIMED STEEL WHEEL MK3	151539
2) WHEEL CENTER SPRING (16req) MK3	628097
3) CHROME WHEEL CENTER MK3	716181
4) LUG NUT WASHER MK3 (16req)	155753
5) LUG NUTS MK3 (16req)	155751
5) LUG NUT SET WITH WASHERS	155751 SET
6) WHEEL CENTER (GT6) MK3 (4req)	624632
7) WIRE WHEEL ADAPTER RH (2req)	142597
7) WIRE WHEEL ADAPTER LH (2req)	142598
8) ADAPTER LUG NUTS (16req)	113087
9) TWO EAR KNOCK OFF RH (2req)	107948
9) TWO EAR KNOCK OFF LH (2req)	107949
10) WIRE WHEELS PAINTED	514518/P
10) WIRE WHEELS CHROME	514518/C
11) USED PRIMED STEEL WHEEL MK1 & MK2	307405
12) NAVE PLATE (HUB CAP) MK1 & MK2 (4req)	122806
13) LUG NUTS MK1 & MK2 (16req)	113087

## Steering Column

1) WHEEL CENTER PAD MK3	156170
2) STEERING WHEEL MK3	160038
2) MOUNTNEY STEERING WHEEL & BOSH	SBSW1
2) CLASSIC WOOD STEERING WHEEL & E	WSW13
3) NUT	105438
4) WASHER	WP8027
5) SIGNAL CANCELING CLIP	140549
6) INNER STEERING COLUMN	155621
7) SHEAR BOLTS (2req)	152597
8) BRACKET	UKC894
9) GRUB SCREW	125781
10) JAM NUT	JN2110
11) PLATE	125782
12) END CAP	122718
13) WASHER	122719
14) BOLT & LOCK WASHER (2req)	HB710/LW
15) BOLT (2req)	HU704
16) BOLT WASHER & LOCK WASHER (2re	HU705
17) BOLT, WASHERS AND NUT (2req)	HU706/WN
18) SCREW (2req)	510273
19) SPIRE CLIP (2req)	FC2803
20) SWITCH ESCUTCHEON LH 1966-1973	708479
20) SWITCH ESCUTCHEON RH NON O/D &	708479
20) ESCUTCHEON RH O/D 1966-1970	611974
21) STEERING COLUMN BUSH (2req)	209423
22) HORN SLIP RING AND INSULATOR	608462
23) SPRING CLAMP	609639
24) FELT PAD	608223
25) NUT, WASHER & LOCK WASHER (2re	HN2007/W
26) BOLT, WASHER & LOCK NUT (2req)	HB810/WLN
27) STEERING FLEX JOINT	142140
28) SPIRE CLIP (2req)	GHF701
29) STEERING COLUMN LOWER SEAL	613466
30) PLATE	601597
31) SCREW (2req)	AD608041
32) IGN SWITCH	39415
33) IGN LOCK	UKC2719
34) COLUMN WIRE COVER	611369

ALLOY STEERING RACK CLAMP SET SBK55

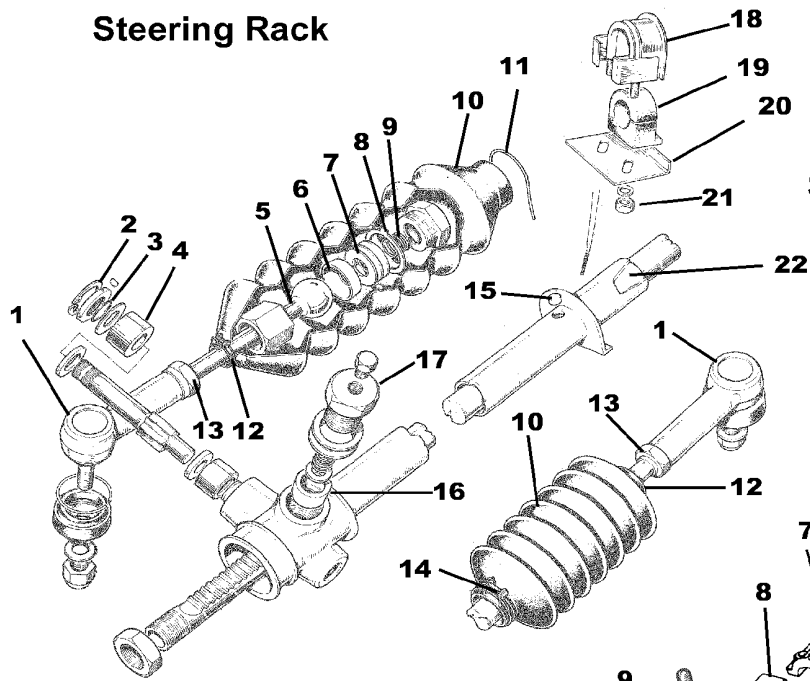


## Alloy Wheels

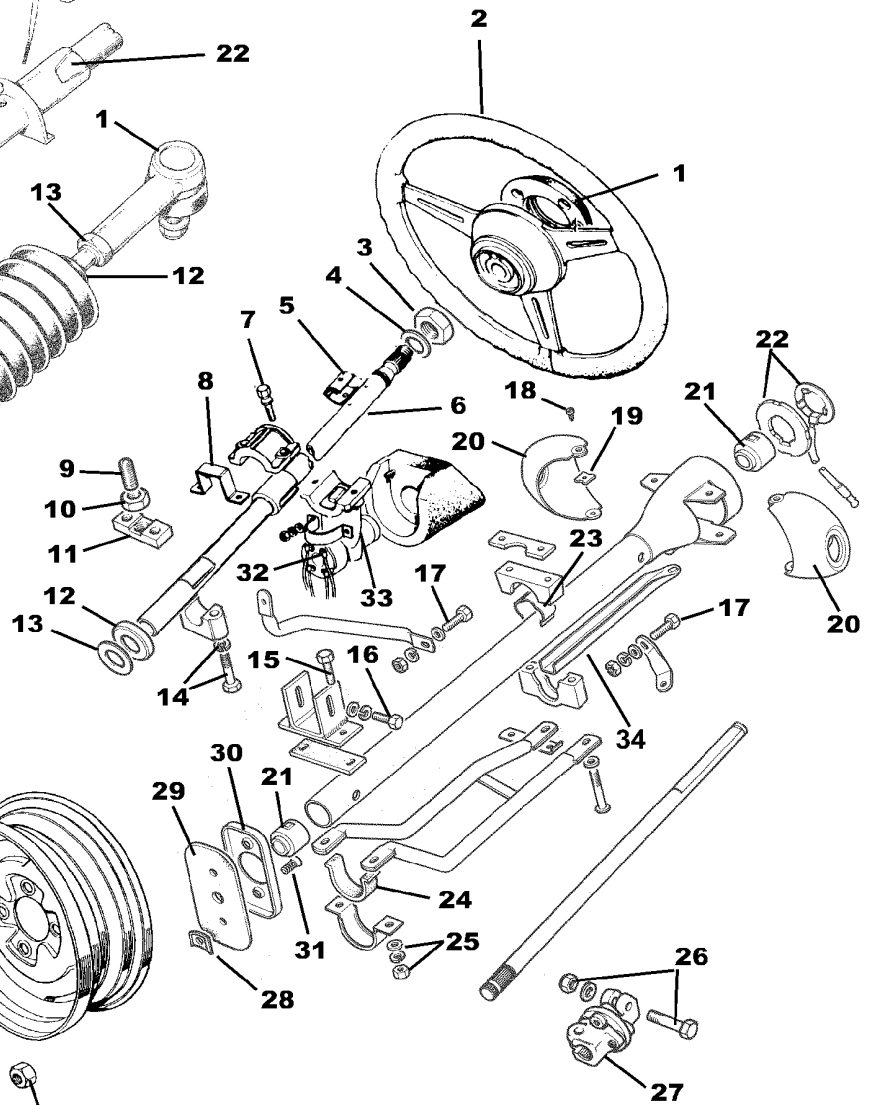
13" MINILITE REPLICA WHEEL SET SILVE	SBAW1
13" MINILITE REPLICA WHEEL SET GUN	M SBAW3
14" MINILITE REPLICA WHEEL SET ( includ	SBAW2
15" MINILITE REPLICA WHEEL SET SILVE	F SBAW4
13" REVOLUTION WHEEL SET	SBAW5

*above wheels come with chrome lug nuts and center caps for 4 wheels.*

# Steering Rack



# Steering Column



# Wheels

