

Gearbox

1) OPERATING SHAFT 1971-1973	129120	27) FULCRUM PIN 1966-1973	132079
2) OPERATING SHAFT COUPLING 1966-1973	127741	28) COPPER WASHER (1req) 1966-1973	500464
3) OPERATING SHAFT 1966-1973	127740	29) FRONT OIL SEAL 1966-1973	132292
4) SHIFT REPAIR KIT 1966-1973	519770	30) CLUTCH SLEEVE USED 1966-1973	143707
4a) SHIFT LEVER RETAINER USED 1966-1973	126607	31) OPERATING LEVER USED 1966-1973	132080/USE
5) GEARSHIFT BOOT 1966-1973	710820	32) BOLT & LOCK WASHER (5req) 1966-1973	HU908/LW
5a) GEARSHIFT BOOT RETAINER RING 1966-1973	613607	35) SELECTOR SHAFT 3rd & 4th 1966-73	108021
6) WALNUT GEARKNOB 1966-73 (not MK3 Overdrive)	SBK619	36) SELECTOR SHAFT 1st & 2nd 1966-73	146240
6a) LEATHER GEARKNOB 1966-1973 (not MK3 Overdrive)	150383	37) SELECTOR SHAFT REVERSE 1971-73	154945
6b) GEAR KNOB MK3 with overdrive	153515	38) FILL PLUG 1966-1973	114774
6c) GEARSHIFT CAP MK3 with overdrive	155030	39) BOLT, WASHER & NUT BELLHOUSING	HB812/LWN
6d) GEARSHIFT O/D SWITCH MK3 with overdrive	39166	40) FRONT COVER 1966-1973	132078
6e) CHROME GEAR KNOB NUT MK3 with overdrive	C30505	41) 3 PIECE CLUTCH KIT COVENTRY CLASSIC	CCK8910
6f) GEAR KNOB INTERNAL LOCKNUT MK3 with overdrive	C30623	41a) 3 PIECE CLUTCH KIT BORG & BECK	HK8910
7) GEAR LEVER MK3 GT6 (with overdrive)	155031	41b) CLUTCH PLATE	HB8715
7a) USED GEAR LEVER NON O/D 1966-1973	148906	41c) PRESSURE PLATE	HE4787
7b) REVERSE STOP SCREW 1966-1973	118054	41d) CLUTCH RELEASE BEARING	GRB209
8) BOLT AND LOCK WASHER (7req) 1966-1973	HU807/LW	42) BOLT & LOCK WASHER (6req)	HU856
9) REAR MAINSHAFT BEARING 1971-1973	157732	43) MASTER CYLINDER CAP	106094
9) REAR MAINSHAFT BEARING 1966-1970	117511	44) MASTER CYL "TRW"	GMC205
10) REAR SEAL 1966-1973	117510	44a) MASTER CYLINDER REPRODUCTION	GMC205/Z
11) SET SCREW SQUARE (2req) 1966-1973	122653	45) CLEVIS PIN, WASHER & SPLIT PIN	PJ8808/KIT
12) GASKET SET NON O/D 1966-1973	515122	46) MASTER CYL REBUILD KIT O.E	SP1963
12) GASKET SET O/D 1966-1973	SBK444	46) MASTER CYL REBUILD KIT REPRO	SP1963X
13) SLAVE CYL PUSH ROD 1966-1973	132239	47) CLUTCH LINE (copper nickel)	308158
14) SLAVE CYL REBUILD KIT 1966-1973	SP2487/X	48) MASTER CYL DUST BOOT	125217
15) SLAVE CYL 1966-1973	64068867	49) BOLT & LOCK WASHER (6req)	HU705 / LW
16) DRAIN PLUG 1966-1973	155660	50) BOLT & 2 WASHERS (2req)	HU705 / W
17) SELECTOR FORK 3rd & 4th 1966-1973	106268	51) CLUTCH PEDAL PAD MK1 & MK2 "T"	122289
18) SELECTOR FORK 1st & 2nd 1966-1973	113868	51a) CLUTCH PEDAL PAD MK3	150881
19) OIL SEAL SPEEDO 1966-1973	108757	52) CLUTCH PEDAL RETURN SPRING	114438
20) SPEEDO DRIVE BEARING USED 1966-1973	144621		
21) OIL SEAL (2req) 1966-1973	119099	CLUTCH ALIGNMENT TOOL	KB3319
22) PINION SPEEDO DRIVE USED 1966-1973	119100/USED		
23) BOLT & WASHER LONG (2req) 1966-1973	HB711		
23) BOLT & WASHER SHORT (7req) 1966-1973	HU707		
24) DOWEL (3req) 1966-1973	DP411		
25) STUD (4req) 1966-1973	158003		
26) DISH CORE PLUG 5/8 (6req) 1966-1973	104449		

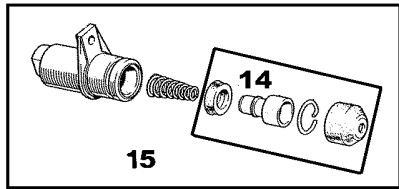
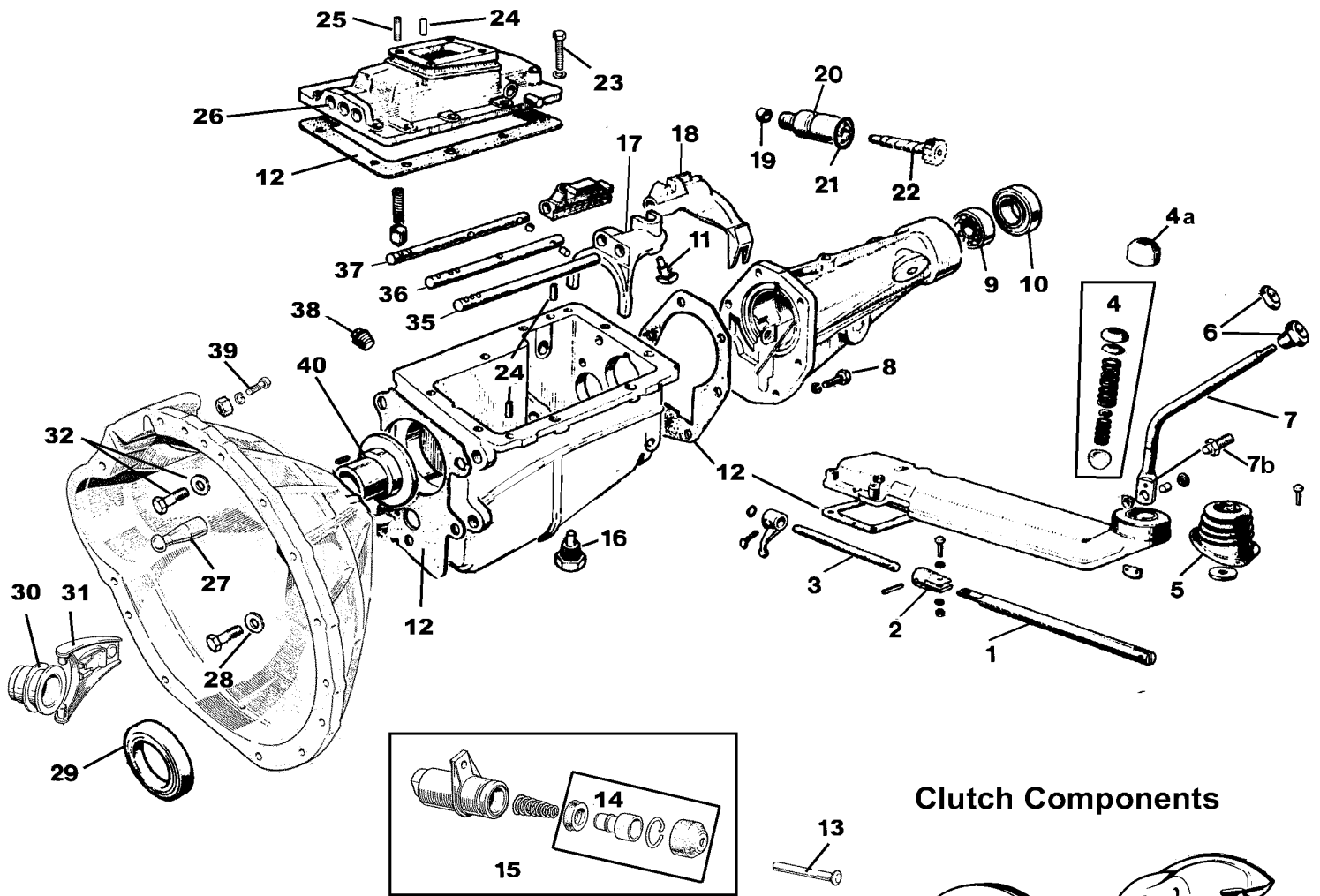
Rebuilt Gearbox

REBUILT GEARBOX NON O/D (exchange)	UKC1602/R
REBUILT GEARBOX O/D (exchange)	520681

Rebuilt Overdrive Gearbox



Gearbox External



Clutch Components

