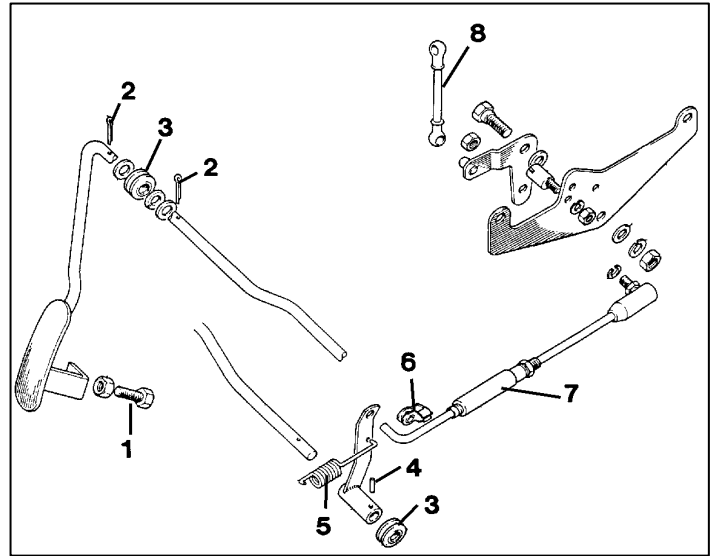


Gas Tank & Fittings

1) GAS CAP MK1	613506
1) GAS CAP MK2	714774
1) LOCKING GAS CAP MK1 & MK2	571086
1) LOCKABLE GAS CAP MK3	718750
1a) GAS CAP SEAL MK3	725414
2) LOCK TUMBLER & KEY MK3	519352
3) SEAL MK1	619420
3) SEAL MK2	622683
3) SEAL MK3	619122
4) RETAINER MK3	710709
5) FILLER HOSE MK1 & MK2	144795
5) FILLER HOSE MK3	155409
6) LOCK RING	ARA1501
7) FUEL SENDER 1966-72	307474
8) SEAL	ARA1502
9) GAS TANK	
10) FUEL PUMP REPRO up to KC5,000E MK1	206623
10) FUEL PUMP REPRO MK1 from KC5,001	213577R
10) FUEL PUMP WITH LEVER MK2 & MK3	213577R
11) NUT & LOCKWASHER (2req)	HN2008/LW
12) FUEL PUMP GASKET	138791
13) FUEL PUMP OLIVE 5/16" PIPE	TL8
14) FUEL PIPE NUT 5/16" PIPE	60142
15) FUEL FILTER	F6M

Accelerator Linkage MK1 & MK2

1) STOP BOLT	HU0809
2) SPLIT PIN	PC009
3) BUSHING (2req)	138490
4) DOWEL	DS1312
5) RETURN SPRING	149025
6) CLIP	606698
7) CONTROL ROD	149777
8) CONNECTING LINK (improved design)	149028



Accelerator Control MK3

1) ACCELERATOR CABLE MK3	156353
2) BOLT, WASHER & LOCKNUT	HB812/WLN
3) BOLT, WASHER & LOCKWASHER (2req)	HU704/WLW
4) ACCELERATOR PEDAL RETURN SPRING	57950
5) CLIP (2req)	153957
6) ACCELERATOR CABLE CLIP MK3	153041

