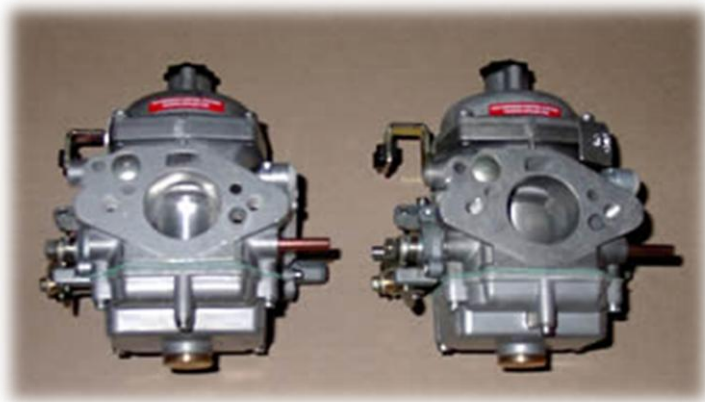


New Carburetors

NEW PAIR OF CD150 STROMBERGS from KF10,000 3426AT
above carburetors can be fitted to earlier cars with appropriate needles.



Carburetor Components

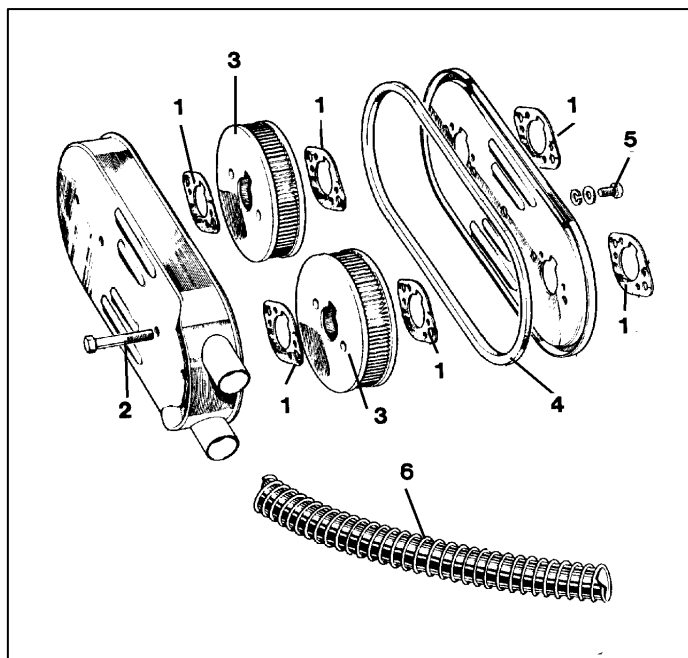
1) DAMPER ASSEMBLY (2req)	B16911
2) DAMPER O RING (2req)	516988
3) SCREW PACK (4 screws & washers included)	512274
4) PISTON SPRING (2req) up to KC10001E	B18276
4) PISTON SPRING (2req) from KC10001E	B18274
5) SCREW (8req)	B18008
6) RETAINING RING (2req)	513707
7) DIAPHRAGM MK2 / MK3 (2req)	B20924
8) SCREW MK1 (2req)	512280
8) SCREW MK2/MK3 (2req)	B20108
9) BIAS NEEDLE ADJUSTING SCREW/ O RING (2req)	B20042
10) FUEL NEEDLE MK1 up to KC10001E 6J (2req)	B17316
10) FUEL NEEDLE MK1 from KC10001E B5AH (2req)	517452
10) FUEL NEEDLE MK2 B5A (2req)	B19101
10) FUEL NEEDLE MK3 to KF10,000 B5AJ (2req)	B20660
10) FUEL NEEDLE MK3 from KF10,001 B5CF (2req)	B21769
11) BYPASS VALVE ASSY. KC50001 -1971 (2req)	517766
11) BYPASS VALVE ASSY. 72-73 (2req)	B23362
12) BYPASS REBUILD KIT KC10001E onward (2req)	64-014A
13) SCREW (4req)	518429
14) SCREW COUNTERSUNK (2req)	518439
15) IDLE MIXTURE SCREW	B18479
16) SPRING	B18480
17) COVER & SCREWS	B17933P
18) TEMPERATURE COMPENSATOR	B19656
19) FLOAT BOWL GASKET (2req)	516980
20) FLOAT VALVE ASSEMBLY (2req)	BHM1075
21) FLOAT ASSY. (2req)	B19470
22) FLOAT PIN (2req)	B18613
23) PLASTIC SEALING PLUG (2req)	B20767
24) EMISSION CONTROL LABEL (2req)	ABF313
25) CARBURETOR REBUILD KIT royze (2req)	ZE14/K
25) O.E CARBURETOR REBUILD KIT MK3 GT6	CDSK8
26) O RING SEALING PLUG (2req)	512311
27) FLOAT BOWL SCREW SHORT (4req)	B25435

Carburetor Components Continued

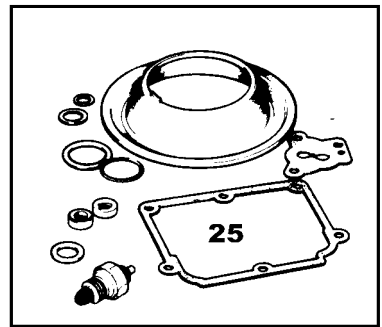
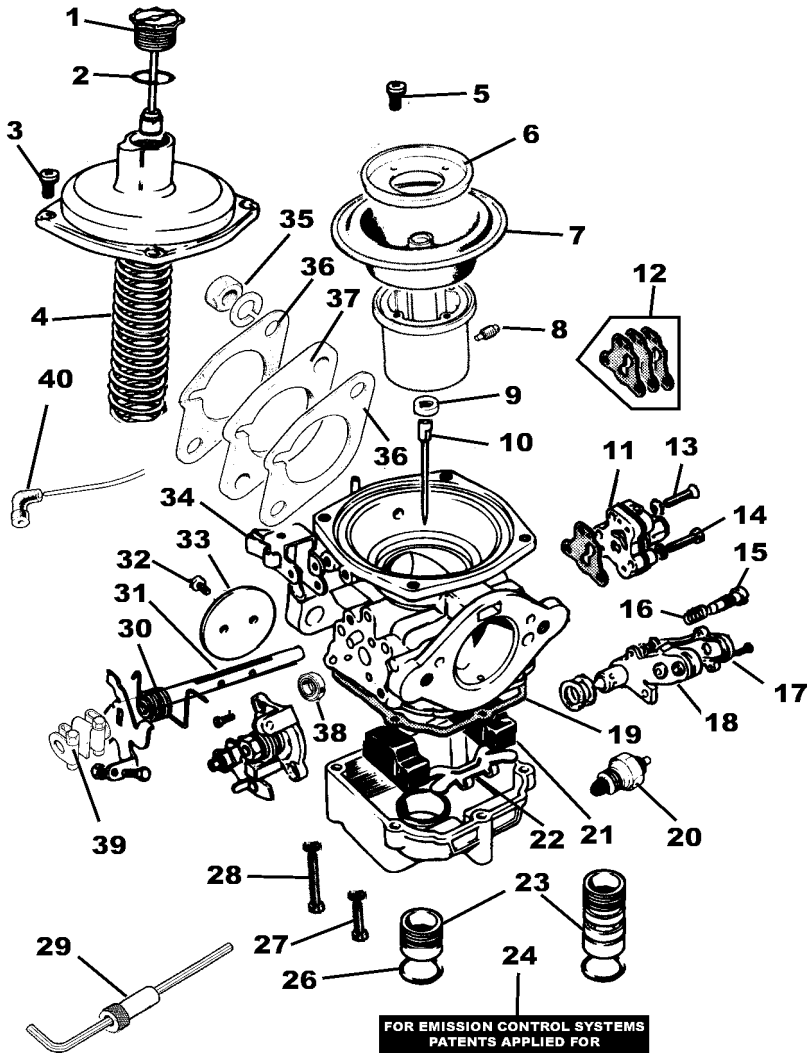
28) FLOAT BOWL SCREW LONG (8req)	B19224
29) CARB ADJUSTING TOOL	B20379
30) THROTTLE RETURN SPRING MK1 KC1	516951
30) THROTTLE RETURN SPRING MK2	517131
30) THROTTLE RETURN SPRING MK3	516951
31) THROTTLE SHAFT FRONT MK1 up to K ,020683	
31) THROTTLE SHAFT REAR MK1 up to KC ,021072	
31) THROTTLE SHAFT FRONT MK1 from KC B16760	
31) THROTTLE SHAFT REAR MK1 from KC B17964	
31) THROTTLE SHAFT FRONT MK2 & MK3	B16760
31) THROTTLE SHAFT REAR MK2	B17964
31) THROTTLE SHAFT REAR MK3 1971 - 1973	B20982
32) SCREW (4req)	516952
33) THROTTLE DISC 66-73 (2req)	,020352
34) CHOKE CABLE CLIP 66-73	516962
35) NUT & LOCKWASHER (4req)	HN2008/LW
36) MOUNTING GASKET MK3 (4req)	147659
37) MOUNTING SPACER MK1 & MK2 (2req)	137882
37) MOUNTING SPACER MK3 (2req)	147660
38) THROTTLE SHAFT SEAL (4req)	B18031
39) CARBURETOR SPINDLE COUPLER (2req)	512335
40) 90 DEGREE CONNECTOR ELBOW	128262

Air Filters

1) GASKET	148006
2) BOLT & LOCK WASHER (4req)	HB867/LW
3) AIR FILTER (2req)	GFE1051
4) AIR BOX SEAL	138311
5) BOLT, WASHER & LOCK WASHER	HU704/W
6) AIR HOSE MK3	616011



Carburetor



FOR EMISSION CONTROL SYSTEMS
PATENTS APPLIED FOR