

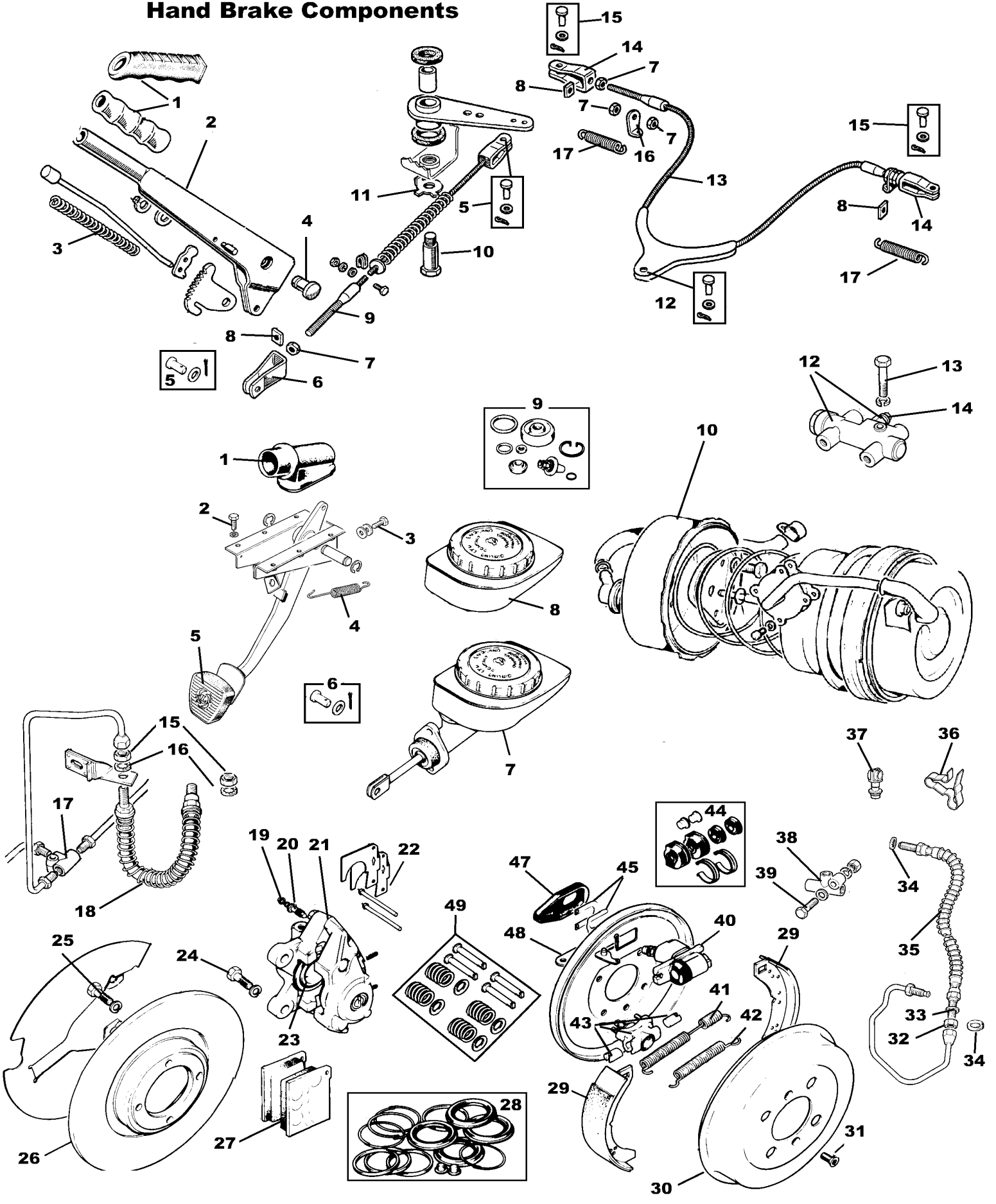
Hand Brake

1) GRIP HANDLE MK1-MK2	131312	11) TAB WASHER	121758
1) GRIP HANDLE MK3 up to KF20,140	152016	12) CLEVIS PIN, WASHER & SPLIT PIN	PJ8806
1) GRIP HANDLE MK3 from KF20,141	UKC3918	13) REAR CABLE MK1	133915
2) LEVER ASSEMBLY	132586	13) REAR CABLE MK2-MK3 up to KF20,000	149353
3) SPRING	104740	13) REAR CABLE MK3 from KF20001	159848
4) FULCRUM PIN	104743	14) FORK END (2req)	104749
5) CLEVIS PIN, WASHER & SPLIT PIN	104750/KIT	15) CLEVIS PIN, WASHER & SPLIT PIN (2req)	104750/KIT
6) CLEVIS FORK	104749	16) SPRING ANCHOR PLATE (2req)	131807
7) JAM NUT (6req)	JN2107	17) RETURN SPRING (2req)	131806
8) SQUARE NUT (3req)	NQ2707		
9) FRONT CABLE	121766		
10) PIVOT PIN	121759		

Brakes

1) DUST BOOT	125217	26) CROSS DRILLED ROTOR (2req)	BDC63D
2) BOLT & LOCK WASHER (6req)	HU706 / LW	27) CERAMIC BRAKE PADS up to KF12390	GP81/MM
3) BOLT & 2 WASHERS (2req)	HU706 / W	27) CERAMIC BRAKE PADS from KF12391	GP283/MM
4) BRAKE PEDAL RETURN SPRING	114438	28) CALIPER REBUILD KIT up to KC56077 (SP2501	
5) PEDAL PAD MK1 & MK2 with letter "T" (2req)	122289	28) CALIPER REBUILD KIT from KC56078 (1SP2589	
5) PEDAL PAD MK3 (2req)	150881	29) BRAKE SHOE KIT up to KF20000	GBS750
6) CLEVIS PIN, WASHER & SPLIT PIN (2req)	PJ8808/KIT	29) BRAKE SHOE KIT from KF20001	GBS746
7) REPLACEMENT MASTER CYLINDER up to KF20000	213690/X	30) BRAKE DRUM up to KF20000 (2req)	203077
Note: above master cylinder has a .7" bore and is made by TRW		30) BRAKE DRUM from KF20001 (2req)	215754
7) MASTER CYLINDER from KF20001	218947	31) SCREW (4req)	V5435
8) BRAKE MASTER CYLINDER RESERVOIR	517333	32) JAM NUT	516614
8) MK1 MASTER CYLINDER SINGLE not illustrated	PNC109	33) STAR WASHER 3/8"	GHF323
9) REBUILD KIT FOR ORIGINAL SINGLE MASTER CYL	SP2172	34) COPPER WASHER	107072
9) REBUILD KIT DUAL 1968-1972 .75"	SP2407A	35) REAR BRAKE HOSE RH & LH MK1 (2req)	GBH175
9) REBUILD KIT MK3 after KF20001	GWP128	35) BRAKE HOSE RH MK2 & 3 ROTO (1req)	GBH203
10) BRAKE SERVO (Replacement)	LE72696X	35) BRAKE HOSE LH MK2 & 3 ROTO (1req)	GBH204
Note: above brake servo works on the front brakes as original.		35) BRAKE HOSE MK3 KF20001 on (2req)	GBH166
12) PDWA ASSEMBLY WITH SWITCH	TKC2449	36) CLIP BRAKE PIPES	59191
13) BOLT & LOCK WASHER	HB711/LW	37) CLIP SINGLE	GHF1192
14) PDWA SWITCH	AAU1700A	38) 3 WAY BRAKE LINE UNION	136908
15) BRAKE HOSE JAM NUT (2req)	516614	39) BOLT NUT & WASHER	HB710
16) STAR WASHER 3/8" (2req)	GHF323	40) WHEEL CYL MK1 to KC7278 (2req)	GWC1208
17) 3 WAY BRAKE LINE UNION	136908	40) WHEEL CYL MK1 KC7279 - MK2 (2req)	GWC1202
17) 4 WAY BRAKE LINE UNION EARLY MK1	565719	40) WHEEL CYL MK3 up to KF20000 (2req)	GWC1110
18) FRONT BRAKE HOSE (2req)	GBH176	40) WHEEL CYL PAIR MK3 from KF20001	GWC1501A
19) BLEED SCREW DUST CAP (2req)	105676	41) UPPER SPRING up to KF20000 (2req)	105689
20) BLEED SCREW (2req)	601959	41) UPPER SPRING KF20001 on (2req)	519802
21) CALIPER ASSEMBLY RH NEW	27H2988	42) LOWER SPRING up to KF20000 (2req)	105690
21) CALIPER ASSEMBLY LH NEW	27H2989	42) LOWER SPRING KF20001 on (2req)	519801
22) ANTI SQUEAL KIT up to KF12390 (1/4" pins)	SP2750	43) ADJUSTER up to KF20000 (2req)	519762
22) ANTI SQUEAL KIT from KF12391 (3/16" pins)	SP2751	44) REPAIR KIT 3/4 bore to KC7278	SP2027
23) CALIPER PISTON P TYPE CALIPER (4req)	510792	44) REPAIR KIT 5/8 bore KC7279 & all MK2	SP2074
23) CALIPER PISTON PB TYPE CALIPER (4req)	518258	44) REPAIR KIT MK3 to KF20000 11/16 bore	SP2087
24) CALIPER MOUNTING BOLT (4req)	132439	44) REPAIR KIT KF20001 on 7/8 bore	SP2358
24) CALIPER BOLT for PB METRIC CALIPERS (4req)	158713	45) WHEEL CYLINDER CLIP KIT (all 4 piece)	SP2861
25) BRAKE ROTOR MOUNTING BOLT (8req)	113150	47) DUST COVER to KF20000 (2req)	120139
26) ROTOR STOCK (2req)	213227	47) DUST COVER from KF20001 (2req)	519695
27) BRAKE PADS STOCK up to KF12390	GP81	48) OPERATING LEVER to KF20000 (2req)	123135
27) BRAKE PADS STOCK from KF12391	GP283	49) PIN & SPRING KIT	SBK645

Hand Brake Components



Rear Brake Kits

REAR BRAKE KIT MK1 GT6

REAR BRAKE KIT MK2 & MK3 up to KF20,001

Note: not for the 1973 Car.

SBBK5

SBBK5a



Stainless Steel Brake Hoses

STAINLESS BRAKE HOSE KIT MK1

SSBHK3

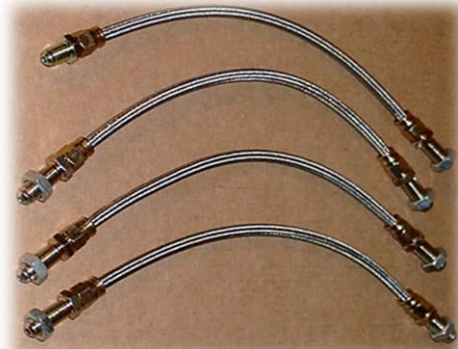
Note: above kit fits all MK1 GT6

STAINLESS BRAKE HOSE KIT MK2/3 rotofle SSBHK4

Note: above kit fits all MK2 and MK3 up to KF20,000

STAINLESS BRAKE HOSE KIT MK3 non rotc SSBHK5

Note: above kit fits all MK3 from KF20,001



Brake Tools & Brake Fluid

BRAKE ADJUSTING WRENCH

CASTROL BRAKE FLUID 1 LITRE

SBT1004

GBF303



Copper Nickel Brake Line Kits

COPPER BRAKE LINE KIT MK1 SINGLE SYGL6223

Note: above kit fits all single system MK1 GT6

COPPER BRAKE LINE KIT MK2 & 3 rotoflex GL6224

Note: above kit fits all MK2 and MK3 up to KF20,000

COPPER BRAKE LINE KIT MK3 non rotoreflex GL6225

Note: above kit fits all MK3 from KF20,001

Brake Booster

SERVO BRAKE BOOSTER KIT

LE72696X

