

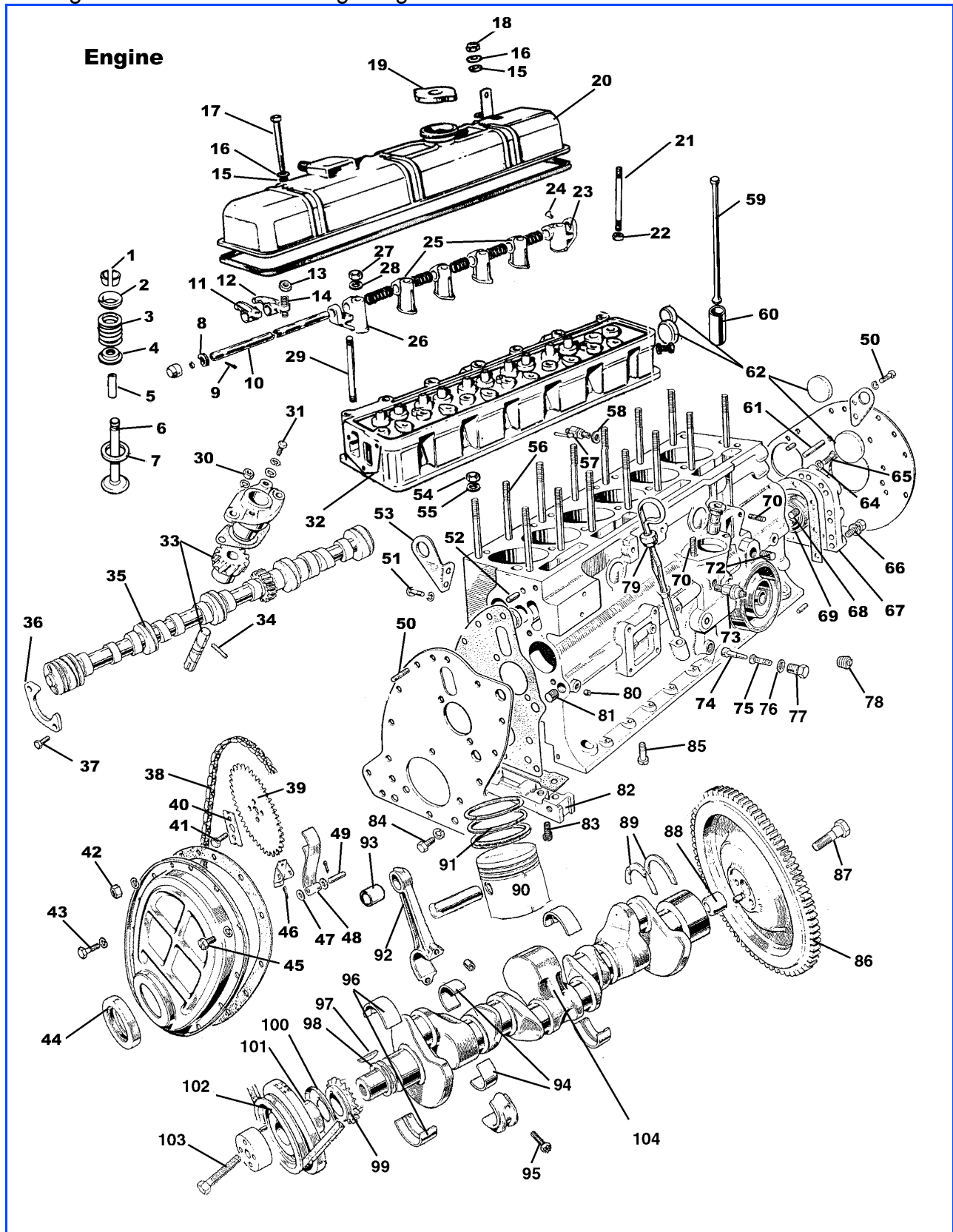


GT6 Mk1, GT6 +, & GT6 Mk3 Catalog

800.201.0494

[www.spitbits.com](http://www.spitbits.com)

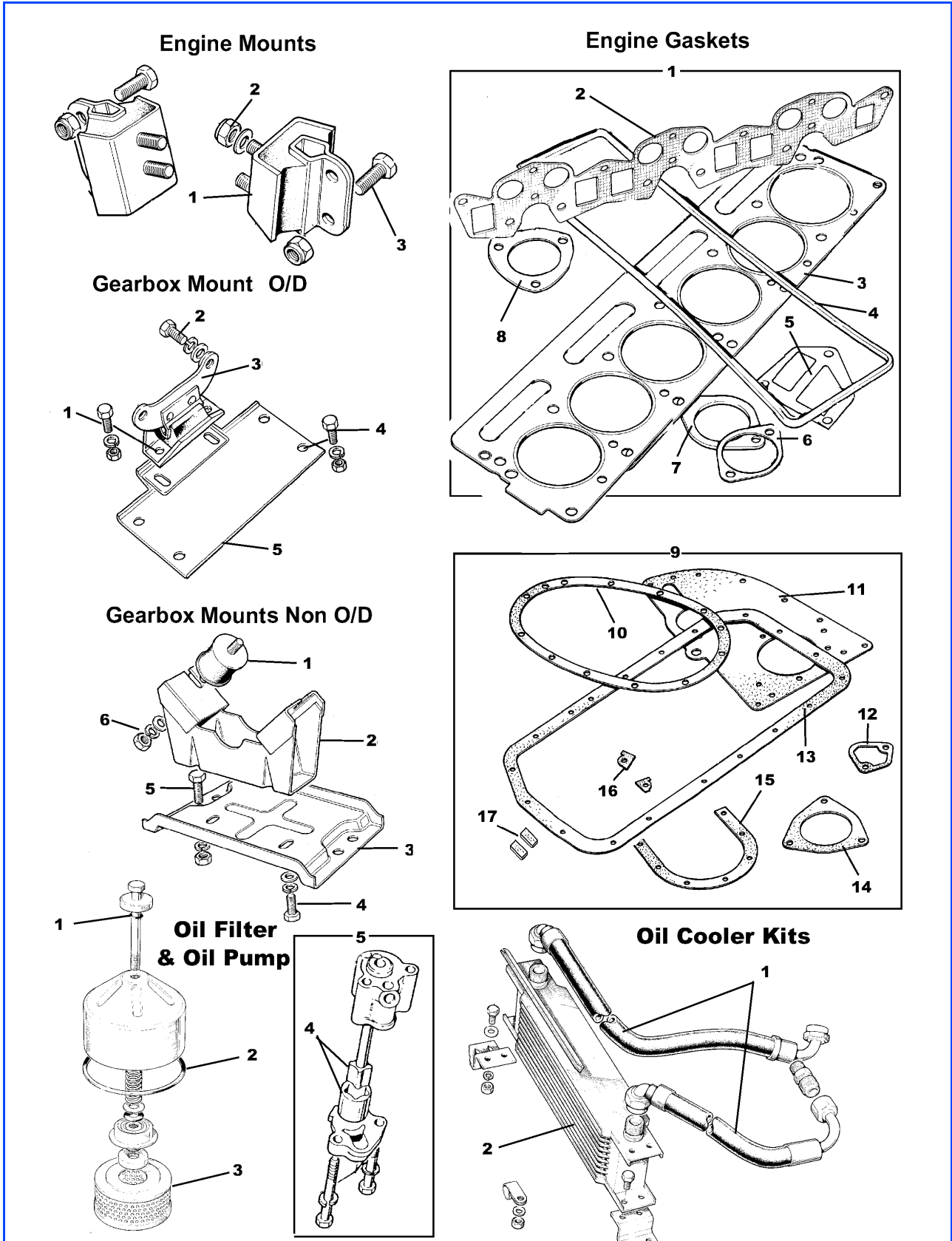
GT6 Engine Bits - Click on image to go to website



## Engine

1) VALVE COTTER (24req)	106663	\$2.52	51) MOUNTING BOLT & LOCKWASHER	HU805/LW	\$0.35
2) COLLAR INLET 1966-1973 & EXHAUST 1971-1973	111870	\$4.75	52) DOWEL (2req)	DP514	\$0.73
2) COLLAR EXHAUST OUTER (6req) 1966-1970	128335	\$3.12	53) LIFTING BRACKET USED	123716USED	
3) VALVE SPRING INNER (12req) MK1 & MK2	102564	\$1.70	54) CYLINDER HEAD NUT MK1 BLACK (14req)	110748	\$1.35
3) VALVE SPRING OUTER (12req) MK1 & MK2	121251	\$3.75	54) CYLINDER HEAD NUT MK2 & MK3 (14req)	103810	\$2.95
3) VALVE SPRING SET MK1 & MK2	CVS3466K	\$46.50	55) WASHER MK1 (14req)	GHF302	\$1.00
3) VALVE SPRING MK3 up to KF10000 (12req)	136487	\$2.50	55) WASHER MK2 & MK3	508289	\$0.99
3) VALVE SPRING MK3 from KF10001 (12req)	157229	\$2.50	56) CYL HEAD STUD MK1 SHORT (7req)	133803	\$3.99
3) VALVE SPRING SET MK3 from KF10001	CVS6706K	\$30.00	56) CYL HEAD STUD MK1 LONG (7req)	119758	\$5.35
4) VALVE SPRING COLLAR LOWER MK3 (12req)	105118	\$0.60	56) CYL HEAD STUD MK2 & MK3 (14req)	146200	\$6.99
5) INLET & EXHAUST VALVE GUIDES MK1 (12req)	119622	\$5.00	57) WATER DRAIN TAP	602915A	\$14.96
5) INLET VALVE GUIDE MK2 & MK3 (6req)	58923	\$2.00	57) WATER DRAIN PLUG	129077	\$4.35
5) EXHAUST VALVE GUIDE MK2 & MK3 (6req)	111869	\$2.70	58) FIBER WASHER	WF511	\$0.40
5) INLET VALVE GUIDE (BRONZE) MK2 & MK3 (6req)	58923/BR	\$6.85	59) PUSH ROD MK1 HIGH COMPRESSION (12req)	129058	\$3.50
5) EXHAUST VALVE GUIDE (BRONZE) MK2/3 (6req)	111869/BR	\$5.00	59) PUSH ROD MK2 & MK3 up to KF10000 (12req)	151073	\$3.15
6) INLET VALVE MK1 (6req)	122257	\$10.30	59) PUSH ROD MK3 after KF10001 (12req)	149513	\$5.50
6) INLET VALVE MK2 & MK3 (6req)	146128	\$7.55	60) CAM FOLLOWER 66-73 (12req)	143552	\$4.50
6) EXHAUST VALVE MK1 up to KD6914E (6req)	137841	\$14.00	61) STUD (3 req)	139836	\$0.75
6) EXHAUST VALVE MK1 from KD6915E (6req)	148387	\$10.25	62) CORE PLUG SET MOST MK1GT6	CPS7A	\$16.88
6) EXHAUST VALVE MK2 & MK3 (STAINLESS STEEL)	149658	\$14.00	62) CORE PLUG SET MK2 & MK3	CPS7	\$10.00
7) VALVE SEATS <b>CALL YOUR LOCAL MACHINE SHOP!</b>			64) COPPER WASHER	500469	\$0.73
8) SPRING 66-73	105322	\$1.10	65) BOLT	HU809	\$0.40
9) SECURING PIN MK2 & MK3	PC0010	\$0.15	66) BOLT & LOCK WASHER (6req)	HU809/LW	\$0.55
10) ROCKER SHAFT MK1	214562	\$65.00	67) OIL SEAL HOUSING USED	156530	\$15.00
10) ROCKER SHAFT MK2 & MK3	214559	\$45.99	68) FLUG OIL GALLERY	118632	\$1.42
11) ROCKER ARM odd (6req)	109024	\$12.99	69) REAR ENGINE SEAL 66-73	143456	\$4.50
12) ROCKER ARM even (6req)	109023	\$12.99	70) STUD (4req)	101962	\$1.20
13) JAM NUT (12req)	51K1178	\$0.27	72) CORE PLUG	PU1404	\$3.50
14) ROCKER ADJUSTING SCREW (12req)	109495	\$2.75	73) OIL PRESSURE SENDER 1 PRONG	GPS117/X	\$5.60
15) FIBER SEAL (3req)	WF508	\$0.50	74) OIL PRESSURE RELIEF VALVE	132107	\$5.00
16) WASHER (3req)	WP8	\$0.15	75) SPRING (relief valve)	131535	\$1.50
17) VALVE COVER BOLT	516134	\$0.99	76) SEALING WASHER (relief valve)	6K433	\$0.60
18) NUT (2req)	TN3208	\$0.50	77) BODY (relief valve)	107246	\$8.00
19) OIL CAP (NON VENTING)	GZC1400Z	\$9.15	78) DRAIN PLUG	114774	\$2.99
20) ALLOY VALVE COVER GT6 (MK3 only)	214816/A	\$129.99	78a) DRAIN PLUG MAGNETIC	114774M	\$10.00
21) VALVE COVER STUD 66-73 (2req)	105123	\$1.48	79) DIP STICK SEAL	32307	\$0.99
22) JAM NUT (2req)	HN2008	\$0.22	79a) DIP STICK WITH SEAL	127653	\$14.50
23) ROCKER PEDESTAL # 6 MK2 & MK3	145869	\$6.50	80) PLUG OIL GALLERY (6req)	118686	\$1.00
24) LOCATING SCREW 66-73	104859	\$3.38	81) CORE PLUG	PS1103	\$1.00
25) ROCKER PEDESTAL #2,3,4,5	144974	NCA	82) FRONT SEALING BLOCK	151134	\$49.99
26) ROCKER PEDESTAL #1 MK2 & MK3	145867	\$9.00	83) SCREW (2req)	100501	\$1.25
27) ROCKER SHAFT NUT (6req)	100498	\$0.99	84) BOLT & LOCKWASHER (3req)	HU806/LW	\$0.55
28) ROCKER SHAFT WASHER (6req)	WP9	\$0.55	85) OIL PAN BOLT (23req)	HU805/LW	\$0.43
29) ROCKER SHAFT STUD (6req)	132495	\$1.28	86) FLY WHEEL RING GEAR	201350	\$33.00
30) MOUNTING NUT & WASHER (2req)	HN2008/LW	\$0.35	87) FLY WHEEL MOUNTING BOLT (4req) 7/16"	UKC4254	\$3.25
31) MOUNTING BOLT, WASHER & LOCK WASHER (2req) HU704/WLW		\$0.50	88) PILOT BUSHING 66-73	105143	\$2.99
32) REBUILT CYLINDER HEAD (call for specs & price)	SBRH2	CALL	89) THRUST WASHERS up to KC5000 STD.,.005,	104820	\$10.50
33) DRIVE GEAR USED	126786USED	CALL	89) THRUST WASHER SET from KC5001	W2171S	\$8.55
34) MILLS PIN	500974	\$0.88	<b>W2171S is available in STD, .005, .010, .015, .030</b>		
35) NEW CAMSHAFT	307689	\$447.00	90) PISTON SET .020,.030,.040 1966-73	CP800K	\$350.00
35) NEW CAMSHAFT FAST ROAD (280 Degree duration)	307689TH5	\$453.99	90) PISTON SET MK3 > KF10,001 (EURO SPEC)	CP801	\$350.00
36) CAM LOCK PLATE 66-73	105114	\$20.00	91) RING SET STD,.020,.030	RTC2428	\$99.99
37) MOUNTING BOLT & LOCKWASHER (2req)	HU807/LW	\$0.50	92) CON ROD ASSEMBLY from KD5001	146454/R	\$39.99
38) TIMING CHAIN 66-73	105131	\$6.99	93) SMALL END BEARING 1966-73	119813	\$1.99
39) CAM GEAR 66-73	35960	\$33.99	94) ROD BEARING up to KD5000	CB6352	\$92.00
40) CAM GEAR LOCK PLATE	36411	\$1.50	94) ROD BEARING from KD5001	B6433SA	\$33.75
41) BOLT (2req)	100500	\$2.15	95) ROD BOLT 1966-73 (12req)	UKC2598	\$4.75
42) NUT & WASHER (2req)	HN2008/LW	\$0.50	96) MAIN BEARING SET up to KC5000	CB4191	\$92.00
43) BOLT & LOCKWASHER (5req)	HU807/LW	\$0.50	96) MAIN BEARING SET from KC5001	M4229SA	\$33.99
44) TIMING COVER OIL SEAL MK1 & MK2	125631	\$4.85	97) WOODRUFF KEY	133234	\$4.00
44) TIMING COVER OIL SEAL MK3	UKC1110	\$4.85	98) SHIMS .006 A/R	145276	\$1.99
45) MOUNTING SCREW & LOCKWASHER (5req)	PT803/LW	\$0.99	99) CRANK GEAR 1966-73	119389	\$31.25
46) SPLIT PIN (2req)	PC007		100) OIL DEFLECTOR	119390	\$10.99
47) WASHER (2req)	WP18	\$0.46	101) OIL SEAL SLEEVE	133235	\$20.30
48) TIMING CHAIN TENSIONER 66-73	42425	\$4.50	102) PULLEY AND DAMPER MK3	154380	\$100.00
49) PIN	33214	\$3.44	103) PULLEY BOLT	HB1316	\$3.00
50) STUD (2req)	101962	\$1.20	104) REGROUND CRANK KIT from KC5001	308034/R	\$450.00

Gaskets and Mounts - Click on image to go to website



## Engine Mounts

1) ENGINE MOUNTS (2req)	EM665	\$8.80
2) LOCK NUT & WASHER (4req)	YN2909/W	\$0.50
3) MOUNTING BOLTS & LOCK NUTS (2req)	MHDW2	\$2.25

## Gearbox Mount O/D

1) BOLT, WASHERS & NUT (2req)	HU806/WN	\$0.75
2) BOLT & WASHERS (2req)	HU957/W	\$0.50
3) GEARBOX MOUNT O/D	159656	\$19.99
4) BOLT, LOCK WASHER & NUT (4req)	HU805/WN	\$0.65
5) D TYPE O/D MOUNTING PLATE	147629	\$52.99

## Gearbox Mount Non O/D

1) GEARBOX MOUNT (2req)	EM1364	\$3.50
2) MOUNTING CRADLE	136890	CALL
3) MOUNTING PLATE	TKC484	CALL
4) BOLT & WASHERS (2req)	HU806/W	\$0.60
5) BOLT, LOCK WASHER & NUT (4req)	HU805/WN	\$0.65
6) NUT & WASHERS (2req)	HN2008/W	\$0.35

## Oil Filter & Oil Pump

1) O RING	510109	\$0.85
2) OIL FILTER SEAL	517427	\$1.95
3) OIL FILTER WITH SEAL	GFE138	\$7.99
4) OIL PUMP REBUILD KIT (ALLOY PUMP ONLY)	ORK15	\$42.50
5) OIL PUMP	POL706	\$79.99

## Engine Gaskets

1) HEAD GASKET SET MK1 OEM	GEG115	\$49.99
1) HEAD GASKET SET MK2,3 < KF10000 OEM	GEG198	\$56.00
1) ALTERNATE HEAD SET MK2,3 < KF10000	CCG902	\$34.20
1) HEAD GASKET SET MK3 72-73 OEM	AJM1193	\$56.00
1) ALTERNATE HEAD GASKET SET MK3 72-73	ROCK283	\$31.00
2) EXHAUST GASKET MK1	AJM613	\$6.50
2) EXHAUST GASKET MK2 & MK3	GEG682	\$5.50
3) HEAD GASKET MK1 OE	207102	\$31.00
3) HEAD GASKET MK2 MK3 to KF10000 REPRO	GEG346	\$12.00
3) HEAD GASKET MK2 MK3 to KF10000 O.E	AG900	\$35.10
3) HEAD GASKET MK3 from KF10001 REPRO	ROCK280	\$21.53
3) HEAD GASKET MK3 from KF10001 O.E	AK280	\$29.99
4) VALVE COVER GASKET	GEG413	\$4.80
5) WATER PUMP HOUSING GASKET	138792	\$1.00
6) DISTRIBUTOR HOUSING GASKET (.006 )	104939	\$0.77
7) THERMOSTAT GASKET	GTG103	\$0.55
8) GASKET MK1	GEG701	\$1.95
8) GASKET MK2 & MK3	GEG718	\$3.00
9) LOWER GASKET SET	CS134	\$15.00
10) TIMING COVER GASKET	211126	\$3.00
11) ENGINE PLATE GASKET	215350	\$1.99
12) FUEL PUMP GASKET	138791	\$0.55
13) OIL PAN GASKET	GEG515	\$6.50
14) WATER PUMP GASKET	138701	\$0.65
15) HORSE SHOE GASKET	105321	\$0.75
16) ALUMINUM BLOCK GASKET	UKC8321	NSS*
17) WOOD PACKING PIECE	36234	NSS*

\*NSS. Not sold separately

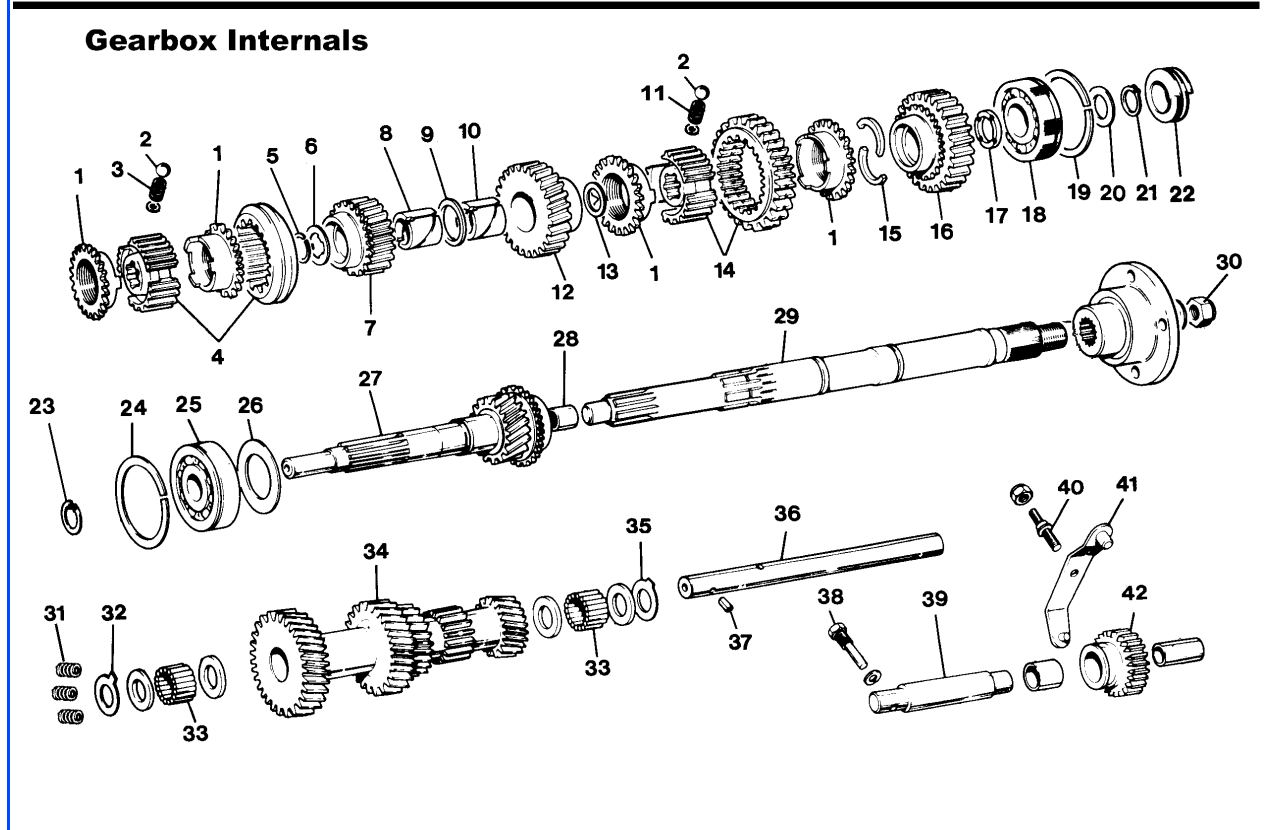
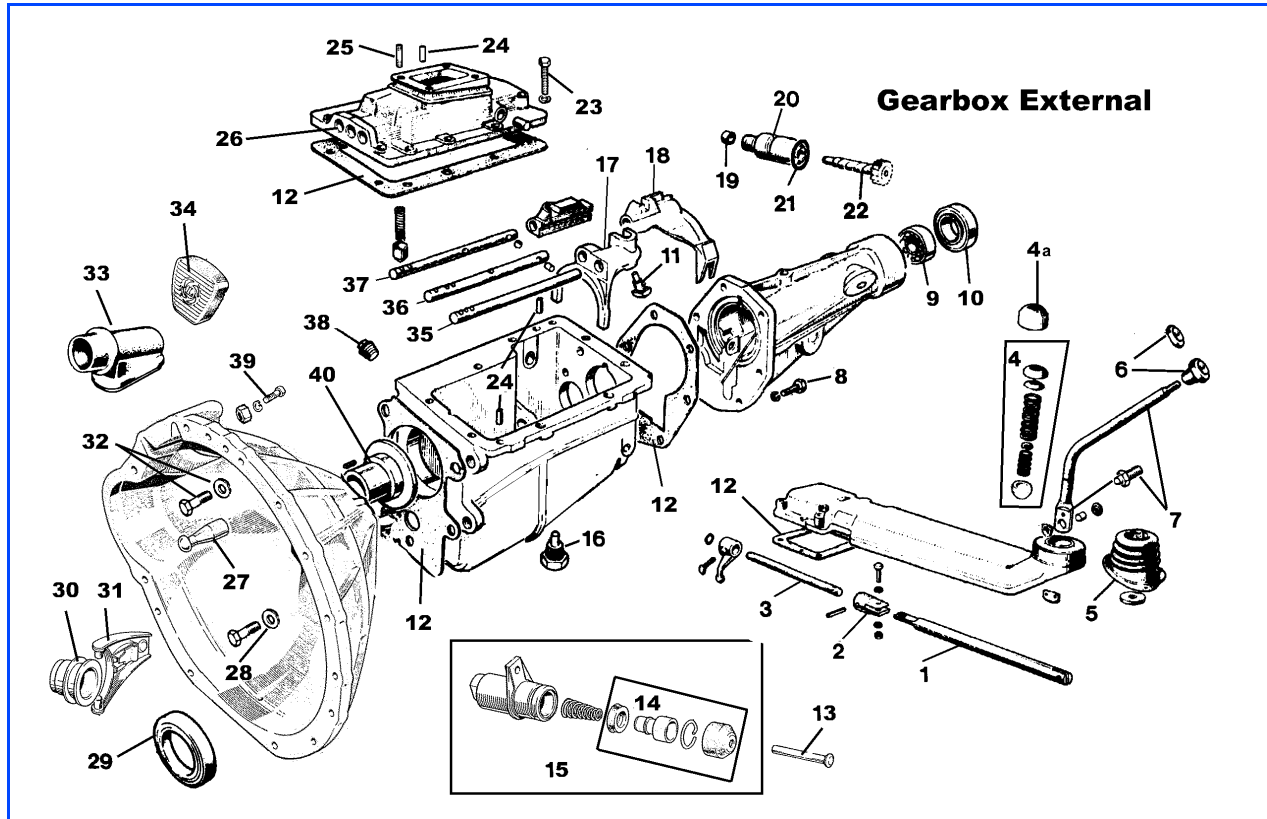
## Oil Cooler Hose Kit & Oil Filter Adapters Performance Parts (not illustrated)

1) RUBBER HOSE KIT INCLUDING ADAPTER	TR12A	\$175.00	NEW CAMSHAFT FAST ROAD	307689	\$447.00
1) STAINLESS HOSE KIT INCLUDING ADAPTER	TR12SS	\$229.00	NEW CAMSHAFT FAST ROAD (280 Degree)	307689	\$453.00
2) OIL COOLER 13 ROW	SBK23	\$75.00	ENGINE BACK PLATE ALUMINUM	211514A	\$167.99
2) OIL COOLER 16 ROW	SBK24	\$134.00	ENGINE FRONT PLATE ALUMINUM	215349A	\$65.50
OIL FILTER ADAPTER not illustrated	FHT2	\$92.00			
OIL FILTER ADAPTER (with oil cooler takeoffs)	FHT1	\$114.00			
			ROCKER OIL FEED KIT	TRIRFP6	\$63.30
			CAM FOLLOWER DRILLED & PHOSPHATED	143552DRIL	\$15.50

## Engine Dress-up Accessories

ALLOY VALVE COVER GT6 MK3	214816/A	\$140.00
ALUMINUM FRONT ENGINE PLATE	215349A	\$62.99
ALUMINUM REAR ENGINE PLATE	511505A	\$156.00

Gear Box - Click on image to go to website



## Gearbox

1) OPERATING SHAFT 71-73	129120	\$25.00	28) COPPER WASHER (1req)	500464	\$0.50
2) OPERATING SHAFT COUPLING 66-73	127741	\$5.73	29) FRONT OIL SEAL	132292	\$2.50
3) OPERATING SHAFT 66-73	127740	NLA	30) CLUTCH SLEEVE 66-73 USED	143707	CALL
4) SHIFT REPAIR KIT 66-73	519770	\$30.99	31) OPERATING LEVER 66-73 USED	132080/USEI	CALL
5) GEARSHIFT BOOT 66-73	710820	\$19.00	32) BOLT & LOCK WASHER (5req)	HU908/LW	\$0.45
5a) GEARSHIFT BOOT RETAINER RING	613607	\$19.99	33) CLUTCH PEDAL DUST BOOT	125217	\$4.99
6) GEARSHIFT CAP O/D	155030	\$11.70	34) CLUTCH PEDAL PAD MK1 & MK2 "T"	122289	\$2.25
7) REVERSE STOP SCREW	118054	\$3.00	34) CLUTCH PEDAL PAD MK3	150881	\$2.40
8) BOLT AND LOCK WASHER (7req)	HU807/LW	\$0.50	35) SELECTOR SHAFT 3rd & 4th 66-73	108021	\$14.70
9) REAR MAINSHAFT BEARING 71-73	157732	\$14.00	36) SELECTOR SHAFT 1st & 2nd 66-73	146240	CALL
9) REAR MAINSHAFT BEARING 66-70	117511	\$12.99	37) SELECTOR SHAFT REVERSE 71-73	154945	\$26.95
10) REAR SEAL 66-73	117510	\$3.99	38) FILL PLUG 66-73	114774	\$2.99
11) SET SCREW SQUARE (2req)	122653	\$8.70	39) BOLT, WASHER & NUT BELLHOUSING (9req)	HB812/LWN	\$0.99
12) GASKET SET NON O/D	515122	\$5.00	40) FRONT COVER	132078	\$48.99
12) GASKET SET O/D	SBK444	\$7.00			
13) SLAVE CYL PUSH ROD	132239	CALL			
14) SLAVE CYL REBUILD KIT	SP2487/X	\$6.99			
15) SLAVE CYL	64068867	\$49.99			
16) DRAIN PLUG 66-73	155660	\$9.99			
17) SELECTOR FORK 3rd & 4th 66-73	106268	\$110.00			
18) SELECTOR FORK 1st & 2nd 66-73	113868	CALL			
19) OIL SEAL SPEEDO 66-73	108757	\$3.00			
20) SPEEDO DRIVE BEARING USED 66-73	144621	\$10.00			
21) OIL SEAL 66-73 (2req)	119099	\$0.60			
22) PINION SPEEDO DRIVE 66-73 USED	119100/USED	\$22.00			
23) BOLT & WASHER LONG (2req)	HB711	\$0.35			
23) BOLT & WASHER SHORT (7req)	HU707	\$0.35			
24) DOWEL (3req)	DP411	\$1.38			
25) STUD (4req)	158003	\$0.75			
26) DISH CORE PLUG 5/8 (6req)	104449	\$1.52			

## Rebuilt Gearbox \$150.00 Core Charge.

REBUILT GEARBOX NON O/D (exchange)	UKC1602/R	\$825.00
REBUILT GEARBOX O/D (exchange)	520681	\$999.00

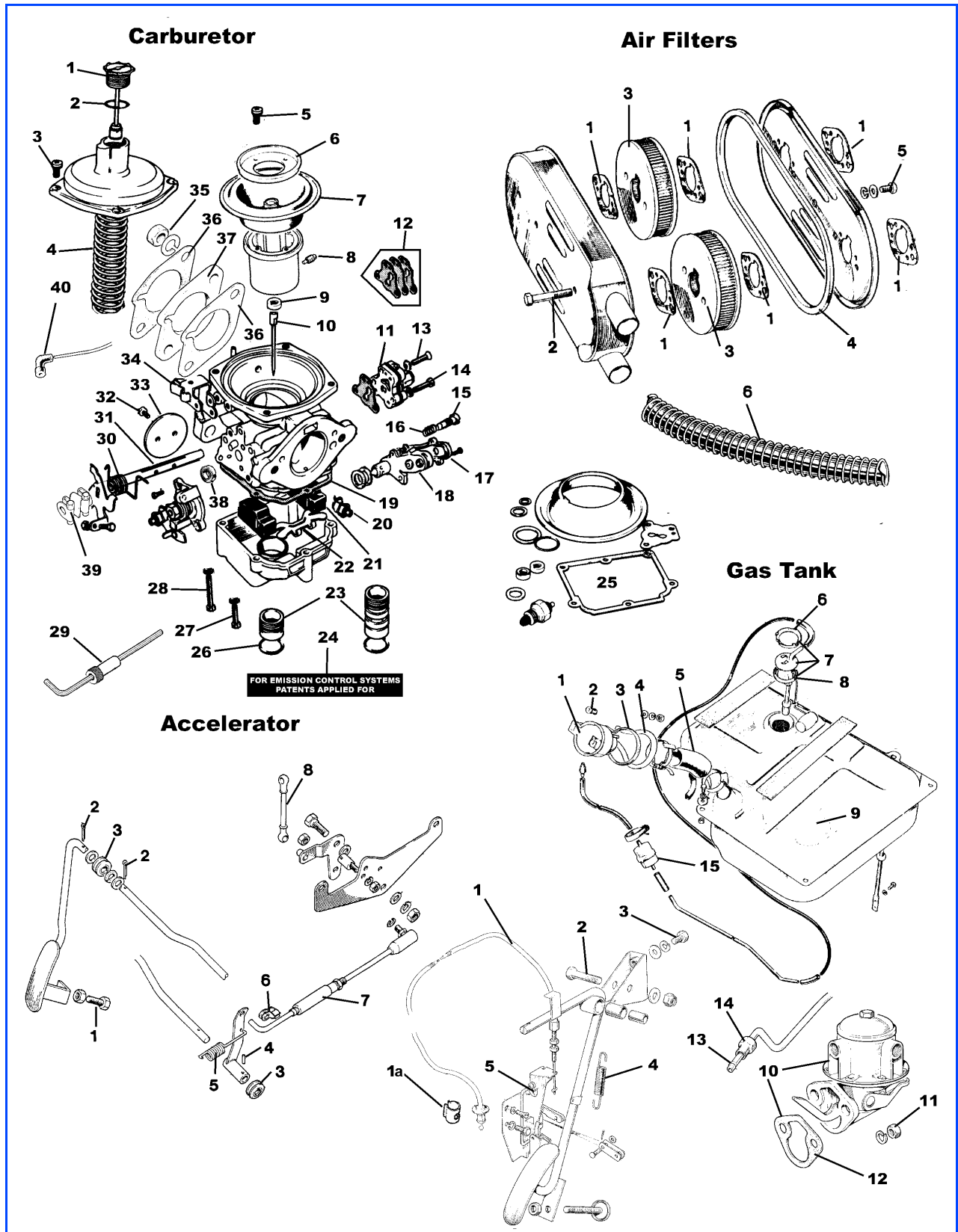
## Clutch Kits & Clutch Master Cylinder

3 PIECE CLUTCH KIT COVENTRY CLASSIC	CKK8910	\$115.00
CLUTCH PLATE	HB8715	\$68.00
PRESSURE PLATE	HE4787	\$60.00
CLUTCH RELEASE BEARING	GRB209	\$33.55
MASTER CYL "TRW"	GMC205	\$111.99
MASTER CYLINDER REPRODUCTION	GMC205/Z	\$54.00
MASTER CYLINDER CAP	106094	\$10.99
CLEVIS PIN, WASHER & SPLIT PIN	PJ8808/KIT	\$1.40
MASTER CYL REBUILD KIT O.E	SP1963	\$14.99
CLUTCH ALIGNMENT TOOL	KB3319	\$6.58

## Gearbox Internals

1) SYNCHRO RING 1966-70 (4req)	148409	\$26.10	20) WASHER .128"/.130" orange 71-73	155808	\$2.99
1) SYNCHRO RING 1971-73 (4req)	150328	\$9.99	21) CIRCLIP 66-73	500872	\$0.35
2) BALL 66-73 (6req)	BL0016	\$0.45	22) SPEEDO GEAR 66-70	119131	NLA
3) BALL SYNCHRO SPRING 1st / 2nd 66-73 (3req)	106388	\$0.25	22) SPEEDO GEAR MK3 to gearbox # KF125	155757	NLA
3) BALL SYNCHRO SPRING 3rd / 4th 66-73 (3req)	104445	\$0.25	22) SPEEDO GEAR MK3 # KF126 onw ard	156032	\$5.00
4) SYNCHRO HUB ASSY 3rd 4th	156968	\$46.00	23) INPUT CIRCLIP 66-73	129839	\$0.50
5) 3rd GEAR CIRCLIP 66-73	112394	\$1.00	24) CIRCLIP SHAFT BEARING 66-73	112654	CALL
6) THRUST WASHER 3rd GEAR 66-73	159978	\$8.00	25) INPUT SHAFT BEARING 66-73 OE	104433	\$35.00
7) 3rd GEAR 66-70	132097	CALL	25) INPUT SHAFT BEARING 66-73 REPRO	104433/X	\$16.50
7) 3rd GEAR 71-73	UKC4454	\$50.00	26) OIL THROWER 66-73	106365	\$3.00
8) 3rd GEAR BUSH 66-73	147354	\$50.00	27) INPUT SHAFT 66-70	213113	CALL
9) THRUST WASHER.152"/.154"	111422	\$1.48	27) INPUT SHAFT 71-73	216972	CALL
9) THRUST WASHER.161"/.163"	131843	\$2.50	28) INPUT CAGE BEARING 66-73	144782	\$7.80
9) THRUST WASHER.165"/.167"	156084	\$2.00	29) MAIN SHAFT NON O/D 66-70	213018	\$336.00
10) 2nd GEAR BUSH	147354	\$50.00	29) MAIN SHAFT NON O/D 71-73	TKC533	\$275.36
12) 2nd GEAR 66-70	137615	CALL	29) MAIN SHAFT O/D	TKC923	\$346.50
12) 2nd GEAR 71-73	155206	\$50.00	29) MAIN SHAFT FOR J TYPE O/D	TKC899	\$230.00
13) FIXED THRUST WASHER 66-70	106262	NLA	30) OUTPUT FLANGE NUT MK3	510618	\$2.75
13) FIXED THRUST WASHER 71-73	160018	\$2.30	31) THRUST WASHER SPRING (3req)	137532	\$0.50
13) THRUST WASHER 198"-200" 71-73	UKC0934	\$1.10	32) FRONT THRUST LAY SHAFT 66-73	113229	\$9.16
13) THRUST WASHER 201"-203" 71-73	UKC0935		33) NEEDLE BEARING (50req) 66-73	119893	\$0.55
13) THRUST WASHER 207"-209" 71-73	UKC0937		34) LAY GEAR 66-70	212993	NLA
14) HUB ASSEMBLY 21 TOOTH 1st/2nd	156911	\$125.00	34) LAY GEAR 17 TOOTH 1971-73	UKC8749	\$215.00
14) HUB OUTER GEAR 17 TOOTH 1st/2nd	UKC8748/OUTER		35) THRUST WASHER REAR	106270	\$9.50
15) COLLAR SPLIT FIRST GEAR (2req)	137834	\$10.00	36) LAY SHAFT 66-73	144595	\$33.50
16) 1st GEAR 66-70	144627	CALL	37) LAY SHAFT PIN 66-73	DS1908	\$0.25
16) 1st GEAR 71-73	154821	\$48.95	38) REVERSE SPINDLE BOLT 66-73	106477	\$1.99
17) THRUST WASHER 1st gear 66-73	137775	\$5.15	39) SPINDLE 66-73	113071	\$14.99
18) MAIN SHAFT CENTER BEARING O.E 66-73	104433	\$35.00	40) PIN REVERSE 66-73	106448/USED	CALL
18) MAIN SHAFT CENTER BEARING 66-73 REPRO	104433/X	\$16.50	41) LEVER 66-73	106254	\$15.00
19) CIRCLIP CENTER BEARING 66-73	112654	CALL	42) REVERSE GEAR 21 TOOTH	144580	\$52.00
20) WASHER .122"/.124" green 71-73	155806	\$2.98	42) REVERSE GEAR 17 TOOTH	UKC8750	\$52.00
20) WASHER .125"/.127" blue 71-73	155807	\$2.98			

Fuel Bits - Click on image to go to website



## Carburetor

NEW PAIR OF CD150 STROMBERGS from KF10000	3426AT	\$850.00
<i>above carburetors can be fitted to earlier cars with appropriate needles.</i>		
1) DAMPER ASSEMBLY (2req)	B16911	\$18.54
2) DAMPER O RING (2req)	516988	\$0.49
3) SCREW PACK (4 screw s & washers included)	512274	\$3.00
4) PISTON SPRING (2req) up to KC10001E	B18276	\$7.00
4) PISTON SPRING (2req) from KC10001E	B18274	\$7.28
5) SCREW (8req)	B18008	\$0.88
6) RETAINING RING (2req)	513707	\$2.50
7) DIAPHRAGM MK2 / MK3 (2req)	B20924	\$5.99
8) SCREW MK1 (2req)	512280	CALL
8) SCREW MK2/MK3 (2req)	B20108	\$3.15
9) BIAS NEEDLE ADJUSTING SCREW/ O RING (2req)	B20042	\$6.79
10) FUEL NEEDLE MK1 up to KC10001E 6J (2req)	B17316	\$16.40
10) FUEL NEEDLE MK1 from KC10001E B5AH (2req)	517452	CALL
10) FUEL NEEDLE MK2 B5A (2req)	B19101	\$19.00
10) FUEL NEEDLE MK3 to KF10,000 B5AJ (2req)	B20660	\$24.00
10) FUEL NEEDLE MK3 from KF10,001 B5CF (2req)	B21769	\$25.00
11) BYPASS VALVE ASSY. KC50001 -1971 (2req)	517766	\$55.00
11) BYPASS VALVE ASSY. 72-73 (2req)	B23362	\$40.00
12) BYPASS REBUILD KIT KC10001E onw ard (2req)	64-014A	\$17.30
13) SCREW (4req)	518429	\$0.93
14) SCREW COUNTERSUNK (2req)	518439	\$0.45
15) IDLE MIXTURE SCREW	B18479	\$4.40
16) SPRING	B18480	\$0.52
17) COVER & SCREWS	B17933P	\$11.00
18) TEMPERATURE COMPENSATOR	B19656	\$68.66
19) FLOAT BOWL GASKET (2req)	516980	\$2.62
20) FLOAT VALVE ASSEMBLY (2req)	BHM1075	\$10.00
21) FLOAT ASSY. (2req)	B19470	\$23.00
22) FLOAT PIN (2req)	B18613	\$2.75
23) PLASTIC SEALING PLUG (2req)	B20767	\$11.08
24) EMISSION CONTROL LABEL (2req)	ABF313	\$2.50
25) CARBURETOR REBUILD KIT royze (2req)	ZE14/K	\$28.58
25) O.E CARBURETOR REBUILD KIT (manual choke)	CDSK7	\$40.00
26) O RING SEALING PLUG (2req)	512311	\$0.80
27) FLOAT BOWL SCREW SHORT (4req)	B25435	\$0.65
28) FLOAT BOWL SCREW LONG (8req)	B19224	\$1.25
29) CARB ADJUSTING TOOL	B20379	\$22.50
30) THROTTLE RETURN SPRING MK1 KC10001E on	516951	\$3.10
30) THROTTLE RETURN SPRING MK2	517131	\$3.50
30) THROTTLE RETURN SPRING MK3	516951	\$3.10
31) THROTTLE SHAFT FRONT MK1 up to KC10001E	,020683	\$7.99
31) THROTTLE SHAFT REAR MK1 up to KC10001E	,021072	\$14.75
31) THROTTLE SHAFT FRONT MK1 from KC10001E	B16760	\$9.50
31) THROTTLE SHAFT REAR MK1 from KC10001E	B17964	CALL
31) THROTTLE SHAFT FRONT MK2 & MK3	B16760	\$9.50
31) THROTTLE SHAFT REAR MK2	B17964	CALL
31) THROTTLE SHAFT REAR MK3 1971 - 1973	B20982	\$22.20
32) SCREW (4req)	516952	\$0.60
33) THROTTLE DISC 66-73 (2req)	,020352	\$5.75
34) CHOKE CABLE CLIP 66-73	516962	\$0.50
35) NUT & LOCKWASHER (4req)	HN2008/LW	\$0.35
36) MOUNTING GASKET MK3 (4req)	147659	\$1.29
37) MOUNTING SPACER MK1 & MK2 (2req)	137882	CALL
37) MOUNTING SPACER MK3 (2req)	147660	CALL
38) THROTTLE SHAFT SEAL (4req)	B18031	\$7.40
39) CARBURETOR SPINDLE COUPLER (2req)	512335	\$21.39
40) 90 DEGREE CONNECTOR ELBOW	128262	\$1.50

## Air Filters

1) GASKET	148006	\$0.55
2) BOLT & LOCK WASHER (4req)	HB867/LW	\$0.75
3) AIR FILTER (2req)	GFE1051	\$11.99
4) AIR BOX SEAL	138311	\$4.00
5) BOLT, WASHER & LOCK WASHER	HU704/W	\$0.55
6) AIR HOSE MK3	616011	\$10.99

## Gas Tank & Fittings

1) GAS CAP MK1	613506	\$55.00
1) GAS CAP MK2	714774	CALL
1) LOCKING GAS CAP MK1 & MK2	571086	\$52.50
1) LOCKABLE GAS CAP MK3	718750	\$340.00
1a) GAS CAP SEAL MK3	725414	\$11.99
2) LOCK TUMBLER & KEY MK3	519352	NCA
3) SEAL MK1	619420	\$3.50
3) SEAL MK2	622683	\$6.50
3) SEAL MK3	619122	\$6.00
4) RETAINER MK3	710709	\$1.25
5) FILLER HOSE MK1 & MK2	144795	\$5.95
5) FILLER HOSE MK3	155409	CALL
6) LOCK RING	ARA1501	\$1.00
7) FUEL SENDER 1966-72	307474	\$39.99
8) SEAL	ARA1502	\$0.75
9) GAS TANK		CALL
10) FUEL PUMP REPRO up to KC5000E MK1	206623	NLA
10) FUEL PUMP REPRO MK1 from KC 5001	213577R	\$29.99
10) FUEL PUMP WITH LEVER MK2 & MK3	213577R	\$29.99
11) NUT & LOCKWASHER (2req)	HN2008/LW	\$0.35
12) FUEL PUMP GASKET	138791	\$0.45
13) FUEL PUMP OLIVE 5/16" PIPE	TL8	\$0.50
14) FUEL PIPE NUT 5/16" PIPE	60142	\$2.99
15) FUEL FILTER	F6M	\$2.70

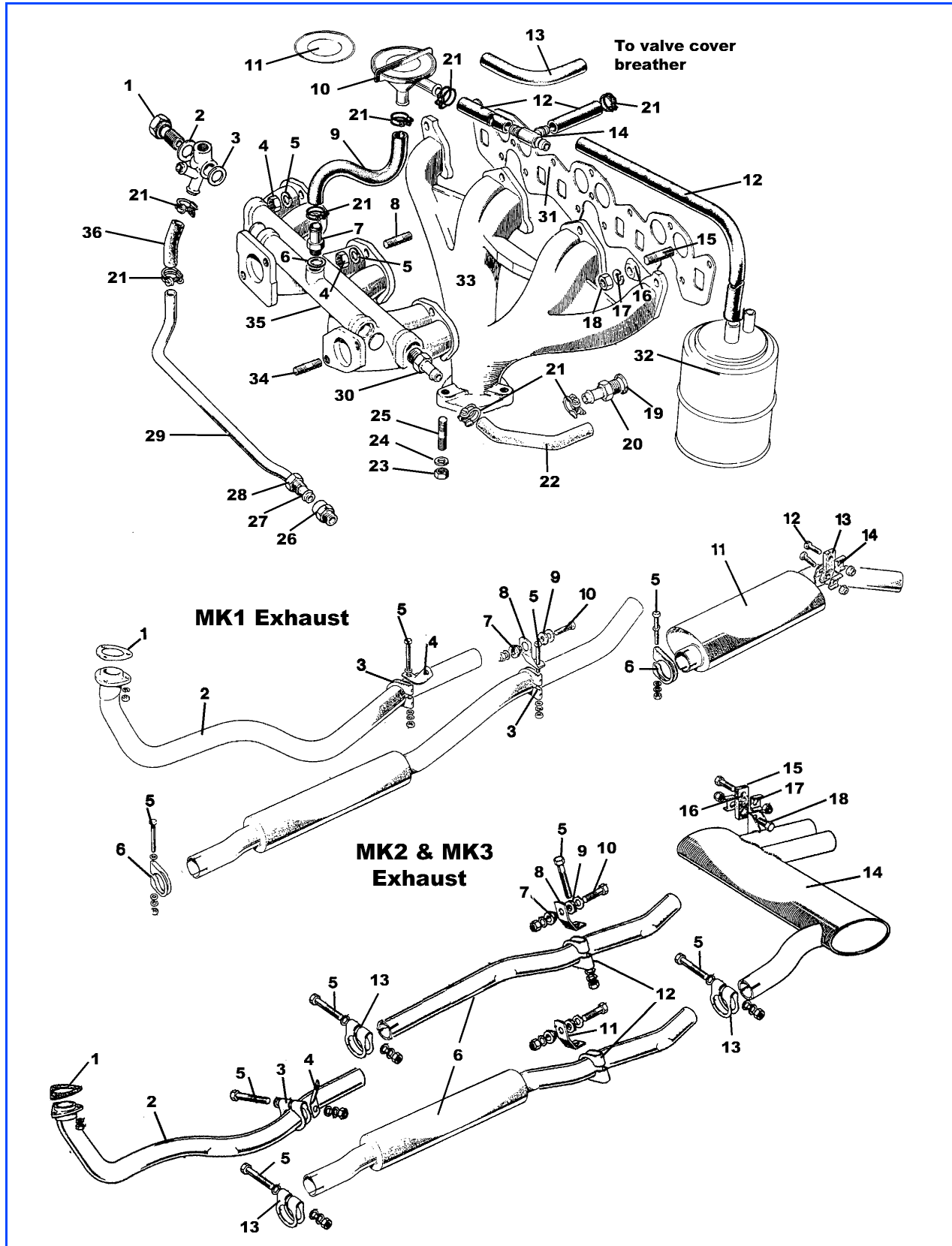
## Accelerator Linkage MK1 & MK2

1) STOP BOLT	HU0809	\$0.60
2) SPLIT PIN	PC009	\$0.15
3) BUSHING (2req)	138490	\$3.05
4) DOWEL	DS1312	\$0.44
5) RETURN SPRING	149025	CALL
6) CLIP	606698	\$3.99
7) CONTROL ROD	149777	CALL
8) CONNECTING LINK (improved design)	149028	\$24.00

## Accelerator Control MK3

1) ACCELERATOR CABLE MK3	156353	\$12.99
2) BOLT, WASHER & LOCKNUT	HB812/WLN	\$1.00
3) BOLT, WASHER & LOCKWASHER (2req)	HU704/WLW	\$0.55
4) ACCELERATOR PEDAL RETURN SPRING	57950	\$2.00
5) CLIP (2req)	153957	\$2.29
6) ACCELERATOR CABLE CLIP MK3	153041	\$1.84

Manifolds & Exhaust Bits - Click on image to go to website



## Intake & Exhaust Manifolds

1) BANJO BOLT	145155	\$16.50	21) CLAMP	CS4012	\$2.00
2) FIBER WASHER	WF534	\$0.99	22) HOSE	137876	\$6.00
3) FIBER WASHER	WF550	\$2.56	23) EXHAUST FLANGE NUT MK1 (3req)	515369	\$0.95
4) NUT (3req)	HN2008	\$0.22	23) EXHAUST FLANGE NUT MK2 &3 (3req)	108951	\$0.75
5) LOCK WASHER (3req)	WL208	\$0.15	24) WASHER MK1 (3req)	WL208	\$0.15
6) FIBER WASHER	WF513	\$0.30	24) WASHER MK2 & MK3 (3req)	WL209	\$0.15
7) ADAPTER	138530	\$6.20	25) EXHAUST STUD MK1 (3req)	101962	\$1.20
8) INTAKE MANIFOLD STUD (2req MK1,3req MK2,3)	101962	\$1.20	25) EXHAUST STUD MK2 & MK3 (3req)	56561	\$1.48
9) HOSE KC50001 - KF10001	156876	\$6.00	26) ADAPTER	101343	\$6.99
10) EMISSION VALVE KC50001 - KF10001	151658	\$89.99	27) OLIVE	TL11	\$2.00
11) DIAPHRAGM FOR EC VALVE	27H7758	\$4.99	28) SLEEVE NUT	101302	\$3.44
12) HOSE MK3 (sold by the foot)	154213-20	NLS	29) WATER PIPE STAINLESS STEEL	217467SS	\$28.99
13) E.C.V HOSE to VALVE COVER KC50001 - 1970	143323	\$5.50	30) ADAPTER	138810	CALL
14) T FITTING MK3 to KF10001 (1req)	154211	\$7.99	31) EXHAUST GASKET MK1	AJM613	\$7.50
14) T FITTING MK3 from KF10001 (2req)	154211	\$7.99	31) EXHAUST GASKET MK2 & MK3	GEG682	\$5.50
MANIFOLD MOUNTING BOLT MK1 (6req)	HB913	\$0.75	32) CARBON CANISTER 71-73	TKC1331	\$110.00
15) MANIFOLD STUD INNER (6req MK2,3)	105125	\$1.10	33) EXHAUST MANIFOLD MK1	306483/U	CALL
15) MANIFOLD STUD OUTER (2req MK1,4req MK2,3)	105124	\$0.93	33) EXHAUST MANIFOLD MK2 & MK3	308290/U	CALL
16) MANIFOLD CLAMP MK2 & MK3 (6req)	58258	\$6.55	34) CARBURETOR MOUNTING STUD (4req)	129383	\$0.45
17) LOCK WASHER (10req)	WL209	\$0.15	35) INTAKE MANIFOLD		CALL
18) NUT (10req)	100498	\$0.99	36) HOSE MK1 & MK2	140986	\$3.00
19) WASHER	WF524	\$0.35	36) HOSE MK3	149699	\$5.50
20) ADAPTER	138530	\$6.20			

## Exhaust System MK1

1) GASKET	GEG701	\$1.95	8) EXHAUST BRACKET	GEX7496	\$3.50
2) FRONT PIPE STAINLESS STEEL	BSTH61	\$65.00	9) USE GEX7329/30	GEX7330	
2) INTERMEDIATE PIPE STAINLESS STEEL	BSTH62	\$106.60	10) BOLT, LOCK NUT AND WASHER	EHDW3	\$1.50
3) CLAMP	GEX7509	\$2.06	11) REAR MUFFLER STAINLESS STEEL	BSTH67	\$133.58
4) FRONT BRACKET	146163	NLA	12) BOLT, LOCK NUT AND WASHER (2req)	EHDW 2	\$1.50
5) BOLT, NUT AND WASHERS	EHDW1	\$1.75	13) HANGER STRAP (with two metal sleeves)	GEX7359S	\$3.65
6) CLAMP	GEX7506	\$1.66	14) HANGER PLATE (2req)	105290	\$2.29
7) GROMMET STEPPED & FLAT	GEX7329/30	\$2.99			

## Exhaust System MK2 & MK3

1) GASKET	GEG718	\$3.00	10) BOLT, LOCK NUT AND WASHER	EHDW 3	\$1.50
2) FRONT PIPE MK2 & MK3 STAINLESS STEEL	TH123	\$65.99	11) EXHAUST BRACKET MK3	156660	\$3.00
3) CLAMP (not english type)	GEX7499	\$1.25	12) CLAMP NOT ENGLISH TYPE	GEX7499	\$1.25
4) FRONT BRACKET	151343	CALL	13) CLAMP	GEX7500	\$11.50
5) BOLT LOCK NUT & WASHER	EHDW1	\$1.75	14) REAR MUFFLER MK2	GEX3403	CALL
6) INTERMEDIATE PIPE MK2 STAINLESS STEEL	BSTH87	\$62.25	14) REAR MUFFLER MK2 STAINLESS STEEL	BSTH88	\$599.00
7) INTERMEDIATE PIPE MK3 STAINLESS STEEL	TH130	\$110.00	14) REAR MUFFLER MK3	GEX3483	CALL
7) GROMMET STEPPED & FLAT	GEX7329/30	\$2.99	14) REAR MUFFLER MK3 STAINLESS STEEL	TH124	\$300.00
8) EXHAUST BRACKET MK2	GEX7496	\$3.50	15) HANGER STRAP (2req)	GEX7359	\$1.95
9) USE GEX7329/30	GEX7330		16) SLEEVE (4req)	155249	\$0.83
			17) HANGER PLATE (4req)	105290	\$2.29
			18) BOLT, NUT AND WASHERS (4req)	EHDW2	\$1.50

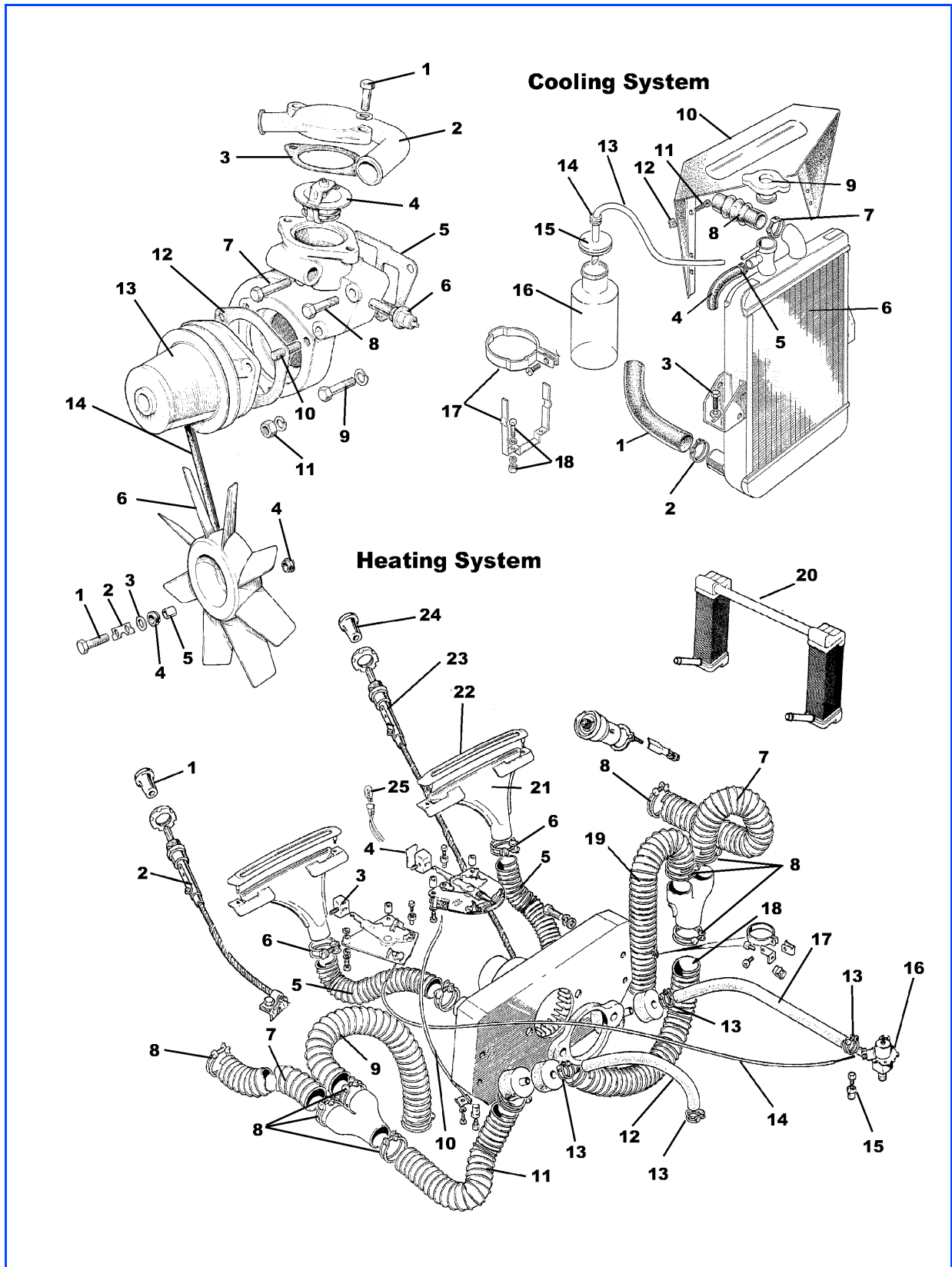
## Stainless Steel Systems

STD MK1 EXHAUST SYSTEM	BSSTH012	\$259.00
SPORT SYSTEM MK1 BELL SYSTEM	BSSTH112	\$425.00
STD MK2 EXHAUST SYSTEM BELL SYSTEM	BSSTH013	\$746.00
SPORT SYSTEM MK2 AND MK3 BELL SYSTEM	BSSTH114	\$365.00
SPORTS SYSTEM INSTALL KIT MK1 GT6 (clamps and hardware)	BSIK1	\$37.99
SPORTS SYSTEM INSTALL KIT MK2 & MK3 GT6 (clamps & hardware)	BSIK2	\$37.99
STD MK3 SYSTEM DOUBLE 'S' SYSTEM	TH014	\$475.00

## Stainless Header Pipes

STAINLESS HEADER MK1	SSHG1	\$743.99
STAINLESS HEADER MK2 & MK3	SSHG2/3	\$724.99

Heating & Cooling Bits - Click on image to go to website



## Water Pump & Housing

1) HOUSING BOLT (2req)	HB812	\$0.70
2) THERMOSTAT HOUSING	212971	CALL
3) THERMOSTAT GASKET	GTG103	\$0.45
4) THERMOSTAT 160	GTS102	\$5.50
4) THERMOSTAT 180	GTS104	\$5.50
4) THERMOSTAT 190	GTS106	\$4.56
5) WATER PUMP HOUSING GASKET	138792	\$1.00
6) TEMPERATURE SENDER	GTR110	\$8.99
ALLOY WATER PUMP HOUSING	307095A	\$169.99
7) HOUSING BOLT & LOCK WASHER LONG	HB825	\$0.99
8) HOUSING BOLT & LOCK WASHER INTERMEDIATE	HB819	\$0.75
9) HOUSING BOLT & LOCK WASHER SHORT	HB818	\$0.99
10) WATER PUMP STUD (3req)	101962	\$1.20
11) NUT & LOCK WASHER (3req)	HN2008/LW	\$0.35
12) WATER PUMP GASKET	138701	\$0.64
13) WATER PUMP	GWP201	\$59.99
14) FAN BELT MK1 to KC7905E	QBA 1150	\$5.87
14) FAN BELT MK1 from KC7906E	QBA 1088	\$5.99
14) FAN BELT MK2	QBA 1125	\$6.32
14) FAN BELT MK3	QBA 1150	\$5.87

## Radiator, Hoses & Overflow

1) BOTTOM HOSE	GRH513	\$9.99
2) BOTTOM HOSE CLAMPS (2req)	CS4025	\$2.62
3) RADIATOR MOUNTING BOLTS & WASHERS (4HU805/LW)		\$0.65
4) BLEED HOSE	GRH553	\$7.50
5) BLEED HOSE CLAMP (2req)	CS4017	\$2.06
6) RADIATOR UPRA TED	312319	\$415.00
7) TOP HOSE CLAMPS (2req)	CS4025	\$2.62
8) TOP HOSE	GRH533	\$9.99
9) RADIATOR CAP 13lbs	GRC114	\$5.25
9) RADIATOR CAP 7lbs	GRC112	\$4.99
10) RADIATOR COWL	RC1645A	\$37.75
11) SCREW (2req)	GHF425	\$0.15
12) SPIRE CLIP (2req)	FU2566	CALL
# 13) OVERFLOW PIPE (sold by the foot)	141475	\$1.00
14) OVERFLOW BOTTLE CAP GROMMET	616925	\$0.55
15) OVERFLOW BOTTLE CAP	137743	\$3.17
16) OVERFLOW BOTTLE	137632	\$18.99
17) OVERFLOW BOTTLE BRACKET (replacement)	141606	\$16.99
18) BOLT, WASHERS AND NUT (2req)	HU704/WN	\$0.65

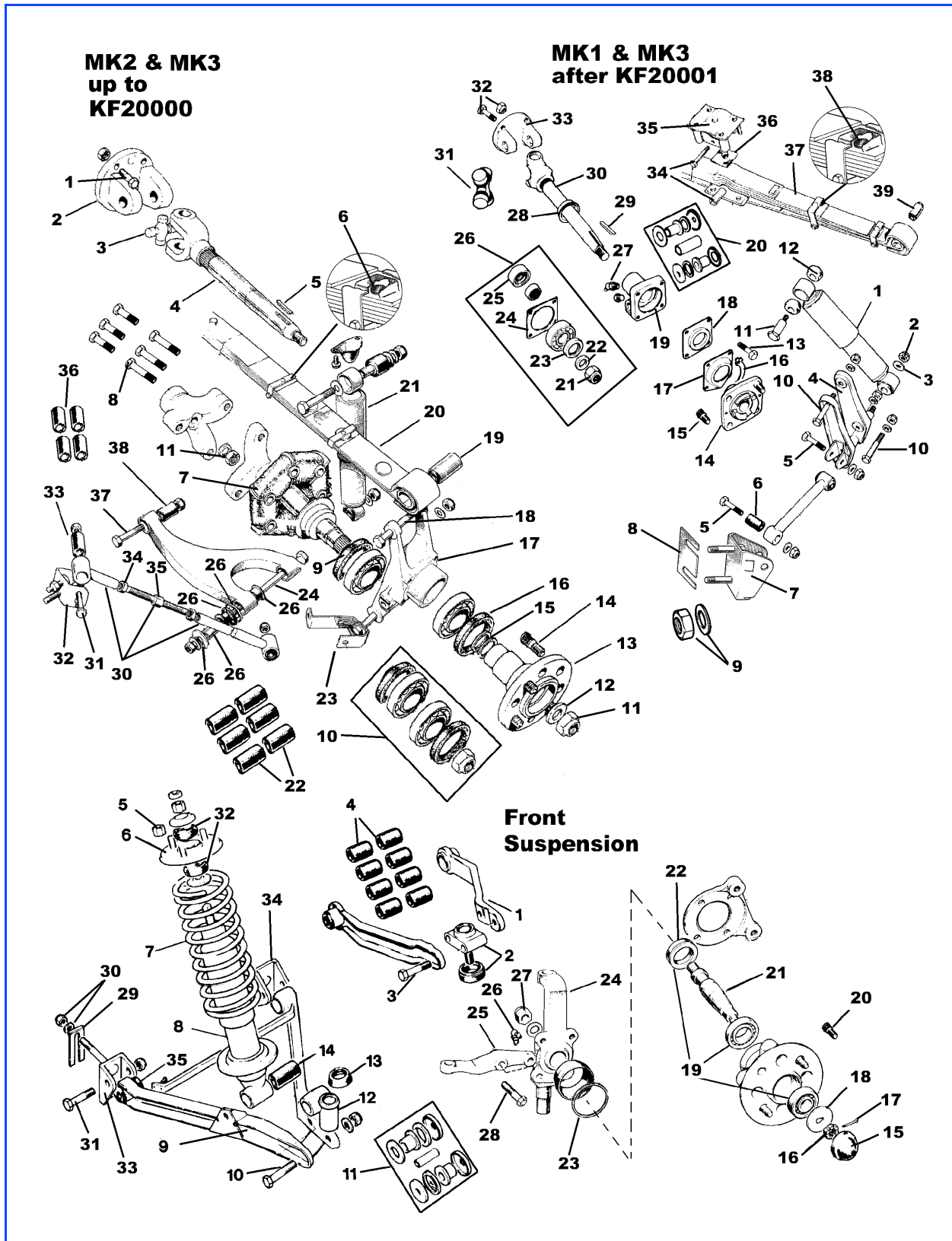
## Cooling Fan

1) FAN ATTACHMENT BOLT (4req)	HB809	\$0.55
2) TAB WASHER (2req) MK3 up to KF10000E	107857	\$1.25
3) WASHER (4req) MK3 up to KF10000E	WP8	\$0.15
4) FAN BUSH (8req) MK3 up to KF10000E	108496	\$0.49
5) FAN SLEEVE (4req) MK3 up to KF10000E	108499	\$1.07
6) PLASTIC COOLING FAN standard 8 blade	308353	\$44.66

## Heating

1) HEATER KNOB MK1	704884	\$8.50	17) HOSE VALVE TO HEATER (no servo)	152523	\$6.00
2) HEATER VALVE CABLE MK1	619845	\$33.00	17) HOSE HEATER VALVE TO HEATER (servo)	159360	\$9.00
3) HEATER KNOB MK2 & MK3	622228	\$4.15	18) HOSE HEATER TO LH Y PIECE	614345	\$3.50
4) LABEL	624276	CALL	19) HOSE LH FOOT VENT	614347	\$3.50
5) HOSE HEATER TO DEMIST	602638	\$3.50	20) HEATER CORE	910501M	\$238.00
6) HOSE CLAMP 11/2" (4req)	CS4027	\$1.99	21) NOZZLE	714434	\$10.00
7) HOSE RH & LH VENT MK2 & MK3	614337	\$3.50	22) DEMISTER VENT (USED)	622812/USE1	\$10.00
8) HOSE CLAMP 13/4" (12req)	CS4029	\$2.62	23) HEATER VALVE CONTROL CABLE MK1	619844	\$33.00
9) HOSE RH FOOT VENT	614337	\$3.50	24) HEATER CONTROL KNOB MK1	704881	\$5.95
10) HEATER CONTROL CABLE MK2 & MK3	624193	\$7.50	25) BULB MK3 from KF20001	GLB286	\$0.99
11) HOSE HEATER TO RH Y PIECE	614337	\$3.50			
12) HEATER HOSE TO BANJO	GRH812	\$9.00 #			
13) HOSE CLAMP	CS4012	\$2.00			
14) HEATER VALVE CABLE MK2 & MK3	630480	\$10.99			
15) CABLE TRUNNION	609123	\$1.99			
16) HEATER VALVE MK1 & MK2	619854	\$35.00			
16) HEATER VALVE MK3	724022	\$35.00			

Suspension Bits - Click on image to go to website



## Rear Suspension MK2 & 3 up to KF20000

1) DRIVE FLANGE BOLT & LOCK NUT (16req)	132023/LN	\$1.60
2) DRIVE FLANGE (2req)	37H4973	\$26.99
3) U JOINT (2req)	HS150	\$13.00
4) DRIVESHAFT INNER (2req)	214623	\$205.00
5) WOODRUFF KEY (2req)	104581	\$5.95
6) SPRING THRUST BUTTON (8req)	114006	\$1.35
7) ROTOFLEX COUPLING (2req)	QL8000	\$35.00
8) ROTOFLEX BOLT LONG (6req)	144588	\$7.65
8) ROTOFLEX BOLT SHORT (6req)	141850	\$8.00
9) INNER WHEEL BEARING SEAL (2req)	GHS125	\$5.59
10) WHEEL BEARING KIT (2req)	GHK1528	\$35.00
11) AXLE SHAFT LOCK NUT (2req)	510618	\$2.75
12) WASHER (2req)	142333	\$1.50
13) HUB ASSEMBLY USED (2req)	149051/USED	\$60.00
14) WHEEL STUD (16req)	158729	\$3.99
15) BEARING SHIM .143 (152485), OR .148 (152486),		\$6.18
16) OUTER WHEEL BEARING SEAL (2req)	GHS130	\$2.50
17) VERTICAL LINK RH USED	308437USED	\$145.00
17) VERTICAL LINK LH USED	308438USED	\$145.00
18) BOLT WASHER & LOCK NUT (2req)	SHDW7	\$2.21
19) SPRING BUSH (2req)	C8939	\$5.00
20) LEAF SPRING	308499	\$199.00
21) KYB GAS SHOCK ABSORBER (2req)	GSA280	\$39.99
21) SPAX SHOCK ABSORBER (2req)	G464	\$115.00
22) POLY URETHANE REAR WISHBONE BUSH KIT	BAC18	\$64.25
23) RADIUS BRACKET RH	148975	\$89.99
23) RADIUS BRACKET LH	148976	\$89.99
24) BOLT, WASHERS & LOCKNUT (2 req)	SHDW9	\$8.50
26) COMPLETE TRUNNION KIT includes (25-29) (1req)	148940KIT	\$69.99
30) RADIUS ARM ASSEMBLY (2 req)	151092	\$126.50
31) BOLT, WASHER & LOCK NUT (4 req)	SHDW2	\$1.99
32) PIVOT BRACKET (2 req)	148963	\$33.35
33) RADIUS ARM BUSH (4 req)	119450	\$3.50
34) JAM NUT RH THREAD (2 req)	128022	\$0.60
34) JAM NUT LH THREAD (2 req)	151110	\$1.50
35) ADJUSTER WITH NUTS (2 req)	151099	\$26.50
36) POLY URETHANE RADIUS ARM BUSH KIT	BAC17	\$36.50
37) BOLT & LOCK NUT (2 req)	SHDW8	\$2.99
38) WISHBONE INNER BUSH (2 req)	548208	\$5.50

## Front Suspension

1) UPPER A ARM (4req)	119272	\$41.50
2) UPPER BALL JOINT (2req)	QSJ103	\$15.00
3) BOLT WASHER AND LOCK NUT (4req)	SHDW3	\$1.00
4) WISHBONE BUSH (8req)	Y419	\$3.50
4) WISHBONE BUSH SET POLY	BAC12	\$50.00
5) LOCK NUT & WASHER (6req)	YN2907/W	\$0.45
6) SPRING TOP PLATE (2 req)	122137	\$18.99
7) COIL SPRING STANDARD 200LBS (2req)	212425	\$45.77
7) COIL SPRING UP RATED 25% 1" LOWER (2req)	212425U	\$48.28
8) FRONT SHOCK ABSORBER (2req)	GSA267	\$29.99
8) SPAX SHOCK ABSORBER (2req)	G210-S	\$115.00
9) LOWER A ARM RH	206685	\$138.99
9) LOWER A ARM LH	206686	\$138.99
10) BOLT WASHER AND LOCK NUT (4req)	SHDW2	\$1.99
11) MINOR TRUNNION KIT (2req)	QSK140S	\$6.99
12) TRUNNION LH OE	140920	\$39.99
12) TRUNNION RH OE	140919	\$39.99
13) TRUNNION SEAL (2req)	122126	\$2.50
14) LOWER BUSH SHOCK (2req)	119450	\$3.50
15) WHEEL BEARING GREASE CAP (2req)	132665	\$9.00
16) CASTLE NUT (2req)	LN2211	\$1.00
18) WASHER (2req)	102690	\$1.99
19) WHEEL BEARING KIT (2req)	GHK1011	\$23.00
20) WHEEL STUD (16 req)	158729	\$3.99
21) STUB AXLE (2req)	132065	\$32.00
22) HUB SEAL (2req)	GHS146	\$4.50
23) SEAL (2req)	138051	\$0.65

## Rear Suspension MK1 & 3 from KF20001

1) REAR STD SHOCK ABSORBER (2req)	GSA385	\$24.50
1) SPAX ADJUSTABLE SHOCK (2req)	G211	\$110.00
2) LOCK NUT (2req)	YN2910	\$0.50
3) THICK WASHER (2req)	WM69	\$0.35
4) VERTICAL LINK RH RECONDITIONED	132763	\$45.00
4) VERTICAL LINK LH RECONDITIONED	132764	\$45.00
5) BOLT WASHER & LOCK NUT (4req)	SHDW4	\$1.32
6) RADIUS ARM BUSH SMALL (2req)	119451	\$3.50
6) RADIUS ARM BUSH LARGE (2req)	146321	\$25.50
7) RADIUS ARM BRACKET LH MK3 from KF20001	159840	CALL
7) RADIUS ARM BRACKET RH MK3 from KF20001	159841	CALL
8) RADIUS ARM ADJUSTING SHIM	133070	\$2.50
9) LOCK NUT & WASHER WP9 (4req)	YN2909/W	\$0.90
10) BOLT WASHER & LOCK NUT (4req)	SHDW5	\$2.21
11) BOLT WASHER & LOCK NUT (2req)	SHDW6	\$5.75
12) SHOCK BUSH (8req)	102987	\$1.25
12) POLY URETHANE SHOCK KIT (1req)	BAC19	\$18.00
13) BOLT (8req)	HU807	\$0.52
14) DRIVE FLANGE WITH STUDS (2req)	131567	\$179.99
15) WHEEL STUD (16req)	158729	\$3.99
16) INNER HUB TAB WASHER (4req)	121860	\$2.32
17) GREASE SHIELD (2req)	104582	\$7.99
18) HOUSING OIL SEAL (2req)	104773	\$7.99
19) HUB USED (2req)	204226USED	\$45.00
20) REAR TRUNNION KIT (2 req)	QSK151	\$6.99
21) AXLE SHAFT LOCK NUT	510618	\$2.75
22) WASHER (2req) not included with #26	142333	\$1.50
23) OUTER HUB SEAL (2req)	GHS111	\$1.99
24) GASKET (2req)	GFG117	\$0.50
25) INNER HUB SEAL (2req)	128978	\$10.99
26) WHEEL BEARING KIT (2req) #22 not included	GHK1029	\$29.99
27) GREASE FITTING (2req)	56935	\$1.48
28) OIL FLINGER (2req)	128469	\$6.85
29) WOODRUFF KEY	104581	\$5.95
30) HALF SHAFT MK3 (2req)	155928	\$132.99
30) HALF SHAFT MK1 (2req)	129003	\$132.99
31) U JOINT (2req)	HS150	\$13.00
32) BOLT & LOCK NUT (8req)	132023/LN	\$1.60
33) DRIVE FLANGE (2req)	37H4973	\$26.99
34) SPACER, BOLT, WASHER & NUT MK3 KF20001	149190KIT	\$3.50
35) SPRING PIVOT BOX MK3 after KF20001	159641	\$69.99
36) PIVOT BOX SPRING PAD MK3 KF20001	149191	\$3.99
37) LEAF SPRING MK1	307324	CALL
37) LEAF SPRING MK3 after KF20000	159640	\$159.00
38) SPRING THRUST BUTTON (8req)	114006	\$1.35
39) SPRING BUSH (2req)	C8939	\$5.00

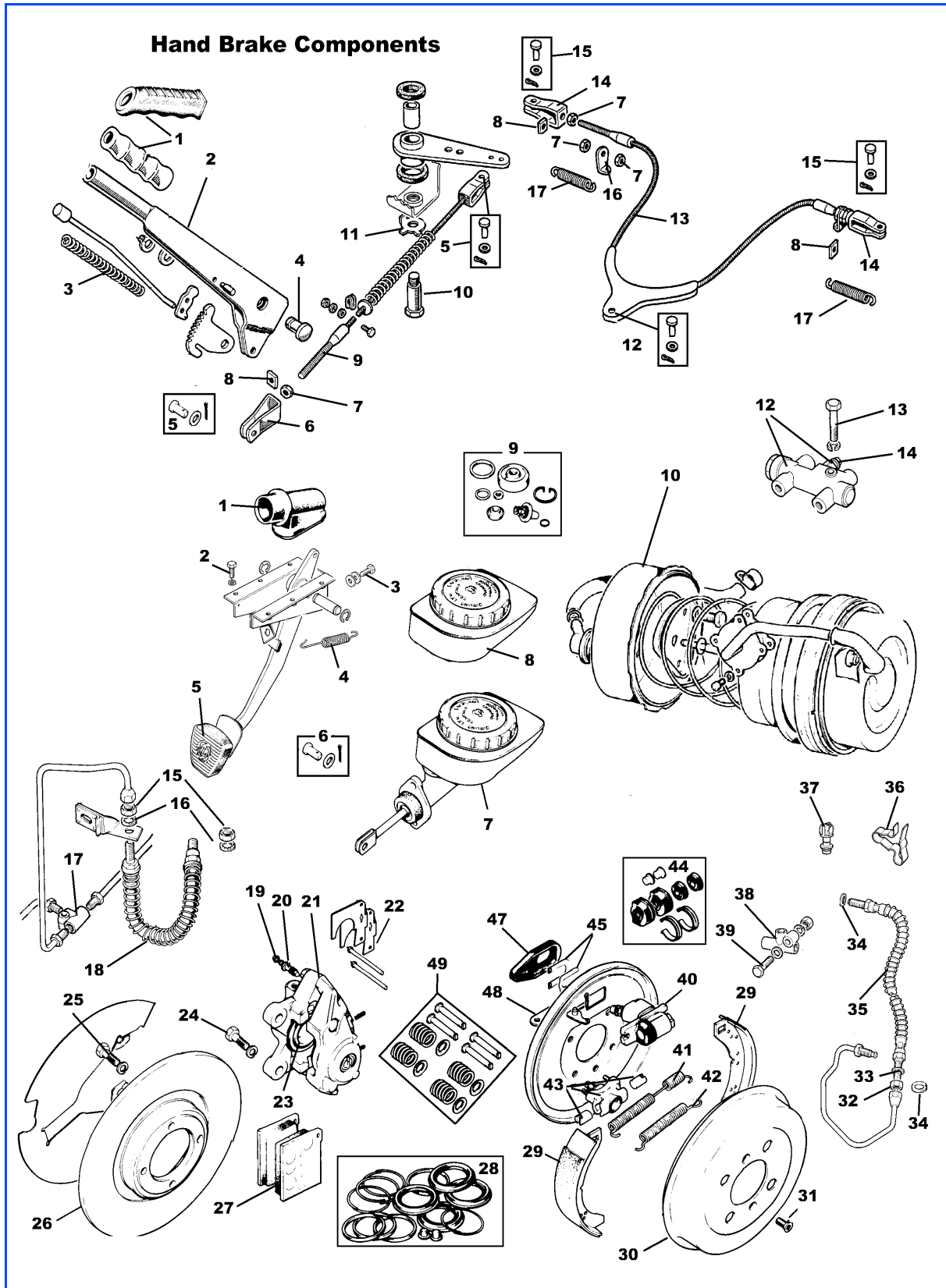
## Front Suspension continued

24) VERTICAL LINK LH	GSJ264	\$187.78
24) VERTICAL LINK RH	GSJ267	\$187.78
25) TIE ROD LEVER RH	205504	\$30.00
25) TIE ROD LEVER LH	205505	\$30.00
26) OIL NIPPLE VERTICAL LINK (2req)	LN30041	\$1.17
27) LOCK NUT (2req)	YN2912	\$1.00
28) BOLT & WASHER TOP (4req)	HU806/LW	\$0.55
28) BOLT SHORT BOTTOM REAR (2req)	HB910	\$0.99
28) BOLT AND LOCK NUT BOTTOM FRONT (2req)	HB918/LN	\$1.15
29) SHIM	122022	\$2.36
30) LOCKNUT & THICK WASHER WP9 (4req)	YN2909/TW	\$0.90
31) BOLT AND LOCK NUT (8req)	SHDW1	\$1.32
32) UPPER BUSH SHOCK (4req)	122324A	\$0.99

## FRONT SUSPENSION KIT OE TRUNNIONS

QSK88 \$169.00  
Above kit includes ball joints (2) wishbone bush (8) shock bush (2) trunnion (2) trunnion kit (2) trunnion seal (2) bolts & locknuts (16).

Brake Bits - Click on image to go to website



## Hand Brake

1) GRIP HANDLE MK1-MK2	131312	\$2.52	11) TAB WASHER	121758	\$0.69
1) GRIP HANDLE MK3 up to KF20140	152016	NCA	12) CLEVIS PIN, WASHER & SPLIT PIN	PJ8806	\$0.95
1) GRIP HANDLE MK3 from KF20141	UKC3918	CALL	13) REAR CABLE MK1	133915	\$8.00
2) LEVER ASSEMBLY	132586	CALL	13) REAR CABLE MK2 - MK3 up to KF20000	149353	\$10.99
3) SPRING	104740	\$5.95	13) REAR CABLE MK3 KF20001 on	159848	\$8.00
4) FULCRUM PIN	104743	CALL	14) FORK END (2req)	104749	\$4.99
5) CLEVIS PIN, WASHER & SPLIT PIN	104750/KIT	\$1.20	15) CLEVIS PIN, WASHER & SPLIT PIN (2req)	104750/KIT	\$1.20
6) CLEVIS FORK	104749	\$4.99	16) SPRING ANCHOR PLATE (2req)	131807	\$1.50
7) JAM NUT (6req)	JN2107	\$0.15	17) RETURN SPRING (2req)	131806	\$2.00
8) SQUARE NUT (3req)	NQ2707	\$0.52			
9) FRONT CABLE	121766	\$9.50			
10) PIVOT PIN	121759				

## Brakes

1) DUST BOOT	125217	\$4.99	33) STAR WASHER 3/8"	GHF323	\$0.20
2) BOLT & LOCK WASHER (6req)	HU706 / LW	\$0.50	34) COPPER WASHER	107072	\$0.30
3) BOLT & 2 WASHERS (2req)	HU706 / W	\$0.75	35) REAR BRAKE HOSE RH / LH MK1 (2req)	GBH175	\$12.00
4) BRAKE PEDAL RETURN SPRING	114438	\$1.60	35) BRAKE HOSE RH MK2 & 3 ROTO (1req)	GBH203	\$16.00
5) PEDAL PAD MK1 & MK2 with letter "T" (2req)	122289	\$2.25	35) BRAKE HOSE LH MK2 & 3 ROTO (1req)	GBH204	\$12.00
5) PEDAL PAD MK3 (2req)	150881	\$2.40	35) BRAKE HOSE MK3 KF20001 on (2req)	GBH166	\$19.47
6) CLEVIS PIN, WASHER & SPLIT PIN (2req)	PJ8808/KIT	\$1.40	36) CLIP BRAKE PIPES	59191	\$0.64
7) REPLACEMENT MASTER CYLINDER up to KF20000 .7"	213690/X	\$229.00	37) CLIP SINGLE	GHF1192	\$0.69
7) MASTER CYLINDER from KF20001	218947	CALL	38) 3 WAY BRAKE LINE UNION	136908	\$12.00
8) BRAKE MASTER CYLINDER RESERVOIR	517333	\$56.11	39) BOLT NUT & WASHER	HB710	\$0.25
8) MK1 MASTER CYLINDER SINGLE not illustrated	PNC109	\$205.00	40) WHEEL CYL MK1 to KC7278 (2req)	GWC1208	\$14.50
9) REBUILD KIT FOR ORIGINAL SINGLE MASTER CYL	SP2172	\$9.00	40) WHEEL CYL MK1 KC7279 - MK2 (2req)	GWC1202	\$14.50
9) REBUILD KIT DUAL 1968-1972 .75"	SP2407A	\$32.00	40) WHEEL CYL MK3 up to KF20000 (2req)	GWC1110	\$14.50
9) REBUILD KIT MK3 after KF20001	SP2859	NLA	40) WHEEL CYL PAIR MK3 from KF20001	GWC1501A	\$49.00
10) BRAKE SERVO ( Replacement)	LE72696X	\$238.16	41) UPPER SPRING up to KF20000 (2req)	105689	\$2.50
12) PDWA ASSEMBLY WITH SWITCH	TKC2449	CALL	41) UPPER SPRING KF20001 on (2req)	519802	NLA
13) BOLT & LOCK WASHER	HB711/LW	\$0.35	42) LOWER SPRING up to KF20000 (2req)	105690	\$2.50
14) PDWA SWITCH	AAU1700A	\$56.25	42) LOWER SPRING KF20001 on (2req)	519801	NLA
15) BRAKE HOSE JAM NUT (2req)	516614	\$0.45	43) ADJUSTER up to KF20000 (2req)	519762	\$16.25
16) STAR WASHER 3/8" (2req)	GHF323	\$0.20	44) REPAIR KIT 3/4 bore to KC7278	SP2027	\$8.95
17) 3 WAY BRAKE LINE UNION	136908	\$12.00	44) REPAIR KIT 5/8 bore KC7279 & all MK2	SP2074	\$5.99
17) 4 WAY BRAKE LINE UNION EARLY MK1	565719	\$17.18	44) REPAIR KIT MK3 to KF20000 11/16 bore	SP2087	\$5.97
18) FRONT BRAKE HOSE (2req)	GBH176	\$16.00	44) REPAIR KIT KF20001 on 7/8 bore	SP2358	CALL
19) BLEED SCREW DUST CAP (2req)	105676	\$1.15	45) WHEEL CYLINDER CLIP KIT (all 4 pieces)	SP2861	\$9.99
20) BLEED SCREW (2req)	601959	\$2.35	46) WHEEL CYLINDER CLIP KIT (all 4 pieces)	SP2861	\$9.99
21) CALIPER ASSEMBLY RH NEW	27H2988		47) DUST COVER to KF20000 (2req)	120139	\$3.00
21) CALIPER ASSEMBLY RH & LH NEW PAIR	27H2988/9	\$499.00	47) DUST COVER from KF20001 (2req)	519695	NCA
22) ANTI SQUEAL KIT from KF12391 ( 3/16" pins )	SP2751		48) OPERATING LEVER to KF20000 (2req)	123135	\$16.75
22) ANTI SQUEAL KIT up to KF12390 (1/4" pins )	SP2750	\$17.50	49) PIN & SPRING KIT	SBK645	\$12.99
23) CALIPER PISTON P TYPE CALIPER (4req)	510792	\$15.00			
23) CALIPER PISTON PB TYPE CALIPER (4req)	518258	\$15.00			
24) CALIPER MOUNTING BOLT & WASHER (4req)	132439	\$2.00			
24) CALIPER BOLT & WASHER PB METRIC (4req)	158713	\$4.99			
25) BRAKE ROTOR MOUNTING BOLT (8req)	113150	\$1.32			
26) ROTOR STOCK (2req)	213227	\$35.00			
27) BRAKE PADS STOCK up to KF12390	GP81	\$22.00			
27) BRAKE PADS STOCK from KF12391	GP283	\$16.88			
28) CALIPER REBUILD KIT up to KC56077 (1req)	SP2501	\$19.99			
28) CALIPER REBUILD KIT from KC56078 (1req)	SP2589	\$14.89			
29) BRAKE SHOE KIT up to KF20000	GBS750	\$26.15			
29) BRAKE SHOE KIT from KF20001	GBS746	\$24.00			
30) BRAKE DRUM up to KF20000 (2req)	203077	\$77.25			
30) BRAKE DRUM from KF20001 (2req)	215754	\$35.00			
31) SCREW (4req)	V5435	\$0.55			
32) JAM NUT	516614	\$0.45			

## Brake Tools & Brake Fluid

BRAKE ADJUSTING WRENCH	SBT1004	\$5.60
CASTROL BRAKE FLUID 1 LITRE	GBF303	\$12.00

33) STAR WASHER 3/8"	GHF323	\$0.20
34) COPPER WASHER	107072	\$0.30
35) REAR BRAKE HOSE RH / LH MK1 (2req)	GBH175	\$12.00
35) BRAKE HOSE RH MK2 & 3 ROTO (1req)	GBH203	\$16.00
35) BRAKE HOSE LH MK2 & 3 ROTO (1req)	GBH204	\$12.00
35) BRAKE HOSE MK3 KF20001 on (2req)	GBH166	\$19.47
36) CLIP BRAKE PIPES	59191	\$0.64
37) CLIP SINGLE	GHF1192	\$0.69
38) 3 WAY BRAKE LINE UNION	136908	\$12.00
39) BOLT NUT & WASHER	HB710	\$0.25
40) WHEEL CYL MK1 to KC7278 (2req)	GWC1208	\$14.50
40) WHEEL CYL MK1 KC7279 - MK2 (2req)	GWC1202	\$14.50
40) WHEEL CYL MK3 up to KF20000 (2req)	GWC1110	\$14.50
40) WHEEL CYL PAIR MK3 from KF20001	GWC1501A	\$49.00
41) UPPER SPRING up to KF20000 (2req)	105689	\$2.50
41) UPPER SPRING KF20001 on (2req)	519802	NLA
42) LOWER SPRING up to KF20000 (2req)	105690	\$2.50
42) LOWER SPRING KF20001 on (2req)	519801	NLA
43) ADJUSTER up to KF20000 (2req)	519762	\$16.25
44) REPAIR KIT 3/4 bore to KC7278	SP2027	\$8.95
44) REPAIR KIT 5/8 bore KC7279 & all MK2	SP2074	\$5.99
44) REPAIR KIT MK3 to KF20000 11/16 bore	SP2087	\$5.97
44) REPAIR KIT KF20001 on 7/8 bore	SP2358	CALL
45) WHEEL CYLINDER CLIP KIT (all 4 pieces)	SP2861	\$9.99
46) WHEEL CYLINDER CLIP KIT (all 4 pieces)	SP2861	\$9.99
47) DUST COVER to KF20000 (2req)	120139	\$3.00
47) DUST COVER from KF20001 (2req)	519695	NCA
48) OPERATING LEVER to KF20000 (2req)	123135	\$16.75
49) PIN & SPRING KIT	SBK645	\$12.99

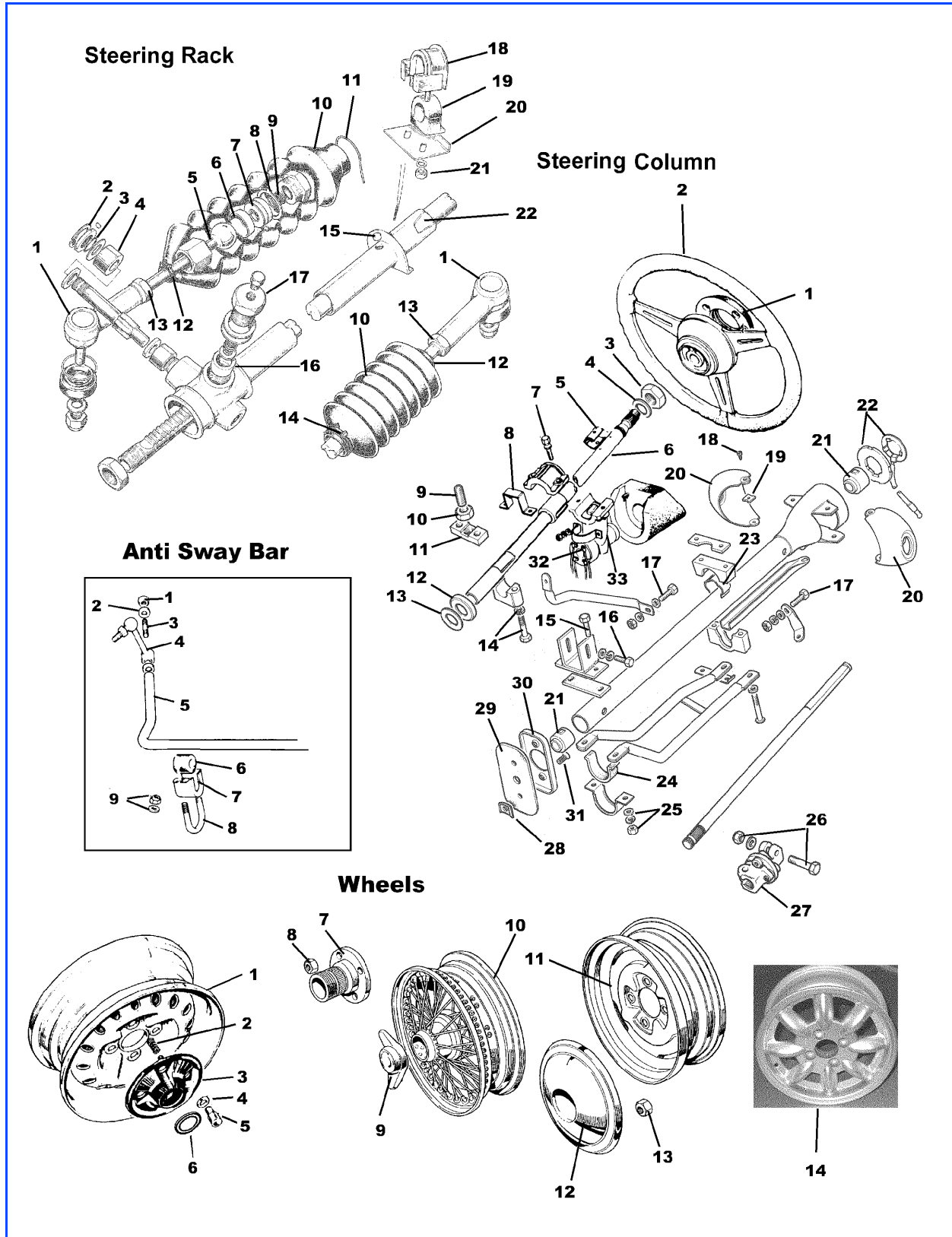
## Rear Brake Kits

REAR BRAKE KIT please state year of car	SBBK5	\$110.00
<b>above kit includes items 29,31,35,40,41,42,45,46,47,&amp;49 in the correct quantities. Not for 1973 car.</b>		

## Performance Braking

STAINLESS STEEL BRAKE HOSE KITS see note*	SSBHK	\$123.00
<b>*Please state year of car and whether rototeflex or non rototeflex</b>		
COPPER BRAKE LINE KIT MK1 SINGLE SYS	GL6223	\$105.00
COPPER BRAKE LINE KIT MK2 & 3 < KF20001	GL6224	\$112.50
COPPER BRAKE LINE KIT MK3 from KF20001	GL6225	\$135.00
CROSS DRILLED ROTOR (2req)	BDC63D	\$99.99
METAL MASTER BRAKE PADS up to KF12390	GP81/MM	\$36.00
METAL MASTER BRAKE PADS from KF12391	GF283/MM	\$36.00
LOCKHEED SERVO ASSIST KIT	LE72696	\$385.00

Steering & Wheel Bits - Click on image to go to website



## Rebuilt Steering Rack

REBUILT STEERING RACK (\$35 Core Charge)	307831	\$299.00
NEW 3.75 RATIO STEERING RACK	307831/3.75	\$319.99
<b>Steering Rack</b>		
1) TIE ROD END (2req)	GSJ158	\$9.99
2) CIRCLIP	509537	\$1.67
3) SEAL	128021	\$0.25
4) PINION BUSH	127998	\$6.30
5) INNER TIE ROD (2req)	128023	\$25.00
6) SOCKET BALL JOINT (2req)	158732	\$7.35
7) SHIM .002"	130031	\$1.56
7) SHIM .010"	130032	\$1.92
7) SHIM .004"	153516	NCA
8) LOCK TAB (2req)	120957	\$1.75
9) SPRING (2req)	120953	\$7.00
10) STEERING RACK BOOT KIT (with clamps)	QG1010	\$12.99
11) RACK BOOT CABLE TIE	512781	\$0.25
12) BOOT CLAMP SMALL (2req)	CS4009	\$2.06
13) TIE ROD END JAM NUT (2 req)	128022	\$0.60
14) BOOT CLAMP LARGE (1req)	CS4020	\$1.64
15) BLANKING PLUG	145108	\$3.99
16) DAMPER	120946	\$27.80
17) CAP	132053	\$3.15
18) RACK MOUNT CLAMP (2req)	156024	\$30.00
19) RUBBER MOUNT (RACK) (2req)	139386	\$3.00
19) RACK MOUNT KIT (POLY) PAIR	BAC14	\$14.25
ALLOY STEERING RACK CLAMP SET	SBK55	\$51.99
20) REINFORCEMENT PLATE (2req)	133875	\$7.00
21) LOCK NUT & PLAIN WASHER (4req)	YN2908/W	\$0.65
22) BUSH	128002	\$3.99

## Wheels

1) USED PRIMED STEEL WHEEL MK3	151539	\$50.00
2) WHEEL CENTER SPRING (16req) MK3	628097	\$0.66
3) CHROME WHEEL CENTER MK3	716181	CALL
4) LUG NUT WASHER MK3 (16req)	155753	\$0.85
5) LUG NUTS MK3 (16req)	155751	\$3.25
5) LUG NUT SET WITH WASHERS	155751 SET	\$54.75
6) WHEEL CENTER (GT6) MK3 (4req)	624632	\$4.35
7) WIRE WHEEL ADAPTER RH (2req)	142597	\$87.00
7) WIRE WHEEL ADAPTER LH (2req)	142598	\$87.00
8) ADAPTER LUG NUTS (16req)	113087	\$1.40
9) TWO EAR KNOCK OFF RH (2req)	107948	\$45.34
9) TWO EAR KNOCK OFF LH (2req)	107949	\$45.34
10) WIRE WHEELS PAINTED	514518/P	\$259.99
10) WIRE WHEELS CHROME	514518/C	CALL
11) USED PRIMED STEEL WHEEL MK1 & MK2	307405	\$50.00
12) NAVE PLATE (HUB CAP) MK1 & MK2 (4req)	122806	\$55.00
13) LUG NUTS MK1 & MK2 (16req)	113087	\$1.50

## Alloy Wheels

14) 13" MINILITE REPLICIA WHEEL SET SILVER ( include:SBAW1SILVE	\$499.00
14) 13" MINILITE REPLICIA WHEEL SET GUN METAL (incl:SBAW3	\$499.00
14) 14" MINILITE REPLICIA WHEEL SET ( includes nuts) SBAW2	\$775.00
14) 15" MINILITE REPLICIA WHEEL SET SILVER ( includes:SBAW4	\$775.00

## Steering Column

1) WHEEL CENTER PAD MK3	156170	\$19.00
2) STEERING WHEEL MK3	160038	
3) NUT	105438	\$3.75
4) WASHER	WP8027	\$0.45
5) SIGNAL CANCELING CLIP	140549	\$1.28
6) INNER STEERING COLUMN	155621	\$199.00
7) SHEAR BOLTS (2req)	152597	\$2.98
8) BRACKET	UKC894	\$1.00
9) GRUB SCREW	125781	\$4.00
10) JAM NUT	JN2110	\$0.67
11) PLATE	125782	\$6.85
12) END CAP	122718	\$3.99
13) WASHER	122719	\$0.78
14) BOLT & LOCK WASHER (2req)	HB710/LW	\$0.35
15) BOLT (2req)	HU704	\$0.31
16) BOLT WASHER & LOCK WASHER (2req)	HU705	\$0.35
17) BOLT, WASHERS AND NUT (2req)	HU706/WN	\$0.55
18) SCREW (2req)	510273	NCA
19) SPIRE CLIP (2req)	FC2803	\$0.99
20) SWITCH ESCUTCHEON LH 1966-1973	708479	\$18.50
20) SWITCH ESCUTCHEON RH NON O/D & MK3	708479	\$18.50
20) SWITCH ESCUTCHEON RH O/D MK1 & 2	611974	\$13.50
21) STEERING COLUMN BUSH (2req)	209423	\$5.30
22) HORN SLIP RING AND INSULATOR	608462	\$18.00
23) SPRING CLAMP	609639	CALL
24) FELT PAD	608223	\$1.25
25) NUT, WASHER & LOCK WASHER (2req)	HN2007/W	\$0.35
26) BOLT, WASHER & LOCK NUT (2req)	HB810/WLN	\$0.80
27) STEERING FLEX JOINT	142140	\$33.50
28) SPIRE CLIP (2req)	GHF701	\$0.55
29) STEERING COLUMN LOWER SEAL	613466	\$1.70
30) PLATE	601597	NCA
31) SCREW (2req)	AD608041	\$0.20
32) IGN SWITCH	39415	\$52.25
33) IGN LOCK	UKC2719	\$99.99

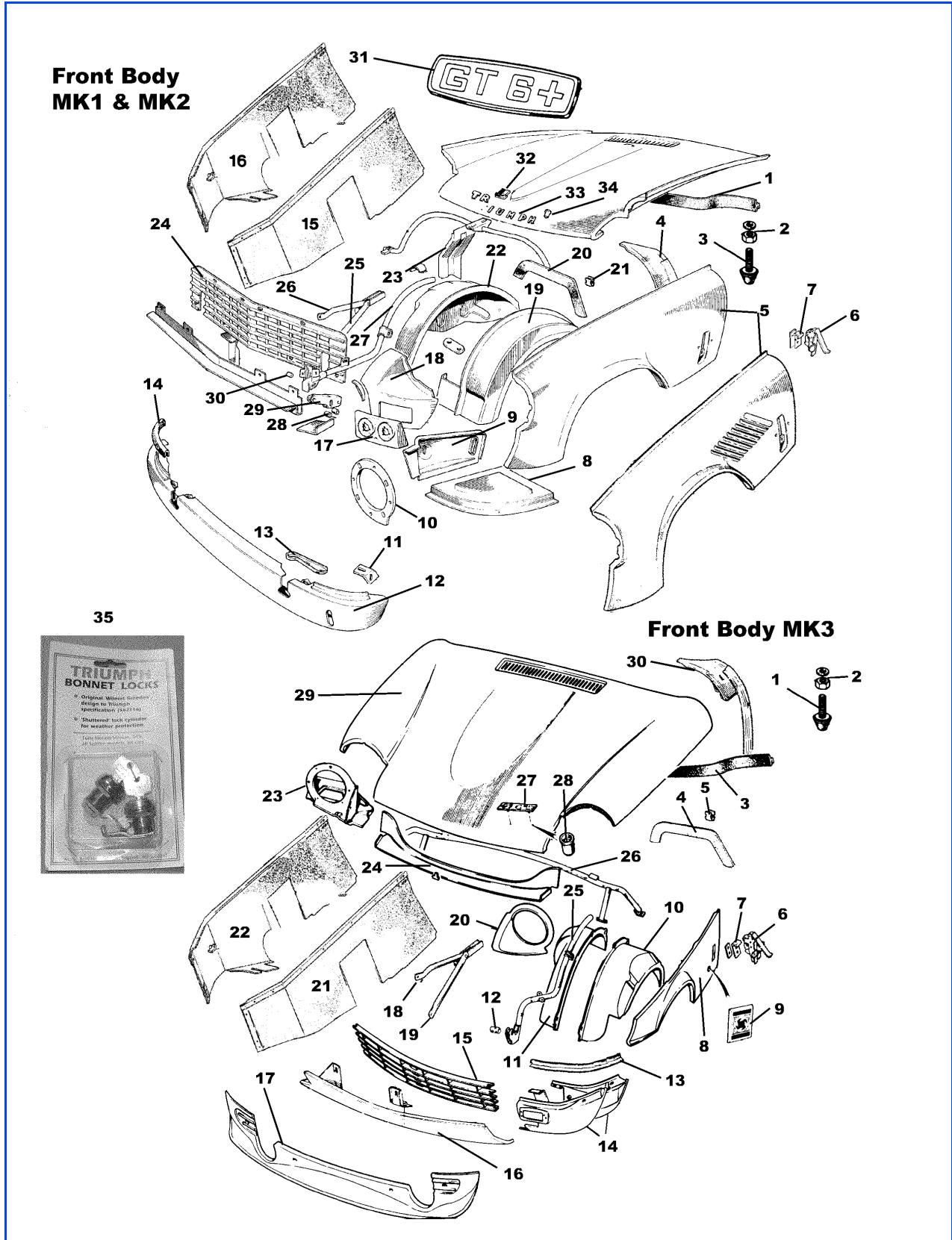
## Aftermarket Steering Wheels

MOUNTNEY WOOD STEERING WHEEL & BOSS	SBSW1	\$245.00
CLASSIC WOOD STEERING WHEEL & BOSS	WSW13	\$250.00

## Anti Sway Bar

1) LOCK NUT (2req)	YN2909	\$0.35
2) WASHER (2req)	WP110	\$0.15
3) STUD (2req)	125074	\$2.60
4) RIGHT HAND LINK	125481	\$16.50
4) LEFT HAND LINK	125482	\$16.50
5) ANTI SWAY BAR 7/8" MK3 from KF20001	217033	\$119.15
6) MOUNTING RUBBER 1966-73 KF20000 (2req)	123998	\$1.99
6) MOUNTING RUBBER from 1973 KF20001 (2req)	155310	\$1.99
6) SWAY BAR KIT (POLY) 66-73 KF20000	BAC13/A	\$23.49
6) SWAY BAR KIT (POLY) from KF20001	BAC13	\$23.49
7) SADDLE CLAMP 1966-73 up to KF20000 (2req)	123502	\$3.50
7) SADDLE CLAMP from 1973 KF20001 (2req)	155308	\$3.44
8) U BOLT 66-73 KF20000 (2req)	123694	\$2.75
8) U BOLT KF20001 on (2req)	155307	\$2.00
9) LOCK NUT & WASHER (4req)	YN2908/W	\$0.50

Front Body Bits - Click on image to go to website



## Front Bodywork MK1 & MK2

1) REAR BONNET SEAL	610675	\$11.99	15) ENGINE VALANCE LH	VP1643	\$87.99
2) BONNET CONE NUT & WASHER (2req)	JN2108/ W	\$0.30	16) ENGINE VALANCE RH	VP1642	\$87.99
3) BONNET CONE (2req)	612962	\$2.99	17) NOSE PANEL REPAIR MK1 LH	903090	\$58.99
4) REINFORCEMENT ASSEMBLY RH	818626	\$30.00	17) NOSE PANEL REPAIR MK1 RH	903091	\$55.99
4) REINFORCEMENT ASSEMBLY LH	818625	\$30.00	18) NOSE PANEL MK2 RH	907158	\$160.00
5) FRONT FENDER RH MK1	907155	\$205.00	18) NOSE PANEL MK2 LH	907157	\$160.00
5) FRONT FENDER LH MK1	907154	\$205.00	19) FRONT WHEEL WELL OUTER RH	903138	\$130.00
5) FRONT FENDER RH MK2	908114	\$296.00	19) FRONT WHEEL WELL OUTER LH	903137	\$130.00
5) FRONT FENDER LH MK2	908113	\$296.00	20) FRONT WHEELARCH SEAL (2req)	613666	\$4.50
6) BONNET CATCH (2req)	607663	\$69.25	21) FRONT WHEELARCH SEAL CLIP (18req)	608520	\$0.72
7) BONNET CATCH LATCH (2req)	607664	\$10.99	22) FRONT WHEEL WELL INNER RH	TS37RH	\$100.00
7a) BONNET CATCH SCREW & NUT (6req)	PX454/N	\$0.55	22) FRONT WHEEL WELL INNER LH	TS37LH	\$100.00
8) FRONT CORNER D PANEL RH	706312	\$31.00	24) FRONT GRILL MK2 (black plastic)	817252	\$99.00
8) FRONT CORNER D PANEL LH	706311	\$31.00	24a) CAPTIVE NUTS (for grill)	FZ3404	\$1.59
9) PANEL ASSEMBLY CLOSING GRILL RH	613598	\$45.39	25) HOOD SUPPORT STAY LOWER	613751	\$15.00
9) PANEL ASSEMBLY CLOSING GRILL LH	613597	\$45.39	26) HOOD SUPPORT STAY UPPER	613045	\$15.00
10) HEAD LIGHT MOUNTING LH	612873	\$42.82	27) HINGE TUBE RH MK2	811680	\$125.95
10) HEAD LIGHT MOUNTING RH	612874	\$42.82	27) HINGE TUBE LH MK2	811679	\$125.95
11) VALANCE BRACKET OUTER LH MK2	612829	\$7.56	28) BUSH BRACKET TO CHASSIS	621418	NCA
11) VALANCE BRACKET OUTER RH MK2	612830	\$7.56	29) BONNET HINGE BRACKET	712726	NCA
12) FRONT VALANCE MK1 (UPS oversize)	807136	\$299.00	30) HINGE TUBE PIVOT BUSH MK1	607910	\$2.00
12) FRONT VALANCE MK2 (UPS oversize)	811676	\$321.99	30) HINGE TUBE PIVOT BUSH MK2	621419	\$1.55
13) VALANCE MOUNTING BRACKET RH MK2	712568	\$18.82	31) GT6+ BADGE	622496	\$50.00
13) VALANCE MOUNTING BRACKET LH MK2	712567	\$18.82	32) TRIUMPH SHIELD BADGE MK1	608380	\$46.25
14) FRONT VALANCE SEAL (2req)	610676	\$5.00	33) (TRIUMPH) LETTER SET MK1	703862/S	\$17.25
			34) BADGE FASTENER	GHF1532	\$0.29
			35) BONNET LOCK KIT	562116	\$30.50

## Front Body MK3

1) BONNET CONE (2req)	612962	\$2.99	23) HEADLAMP MOUNT PANEL LH	TS38LH	\$74.99
2) BONNET CONE NUT & WASHER (2req)	JN2108/ W	\$0.25	24) CENTER LOWER RETURN EDGE	815010	\$98.22
3) REAR BONNET SEAL	610675	\$11.99	25) HINGE ASSEMBLY TUBE LH	911107	\$168.77
4) FRONT WHEEL ARCH SEAL (2req)	613666	\$4.50	25) HINGE ASSEMBLY TUBE RH	911108	\$168.77
5) FRONT WHEEL ARCH SEAL CLIP (18req)	608520	\$0.45	26) CENTER SUPPORT	WKC3414	\$140.00
6) BONNET CATCH (2req)	607663	\$69.25	27) GT6 MK3 BADGE	624737	\$51.30
7) BONNET CATCH LATCH (2req)	607664	\$10.99	28) FASTENER	GHF1532	\$0.29
8) FRONT FENDER OEM RH	909664	\$178.25	30) REINFORCEMENT ASSEMBLY RH	818626	\$30.00
8) FRONT FENDER OEM LH	909663	\$178.25	30) REINFORCEMENT ASSEMBLY LH	818625	\$30.00
8) FRONT FENDER STEELCRAFT RH	TS32RH	\$120.05	35) BONNET LOCK KIT	562116	\$30.50
8) FRONT FENDER STEELCRAFT LH	TS32LH	\$120.05			
9) B L HOUSE BADGE (2req)	725525	\$8.50			
10) FRONT WHEEL WELL OUTER RH	TS36RH	\$83.62			
10) FRONT WHEEL WELL OUTER LH	TS36LH	\$83.62			
11) FRONT WHEEL WELL INNER LH	TS37LH	\$100.00			
11) FRONT WHEEL WELL INNER RH	TS37RH	\$100.00			
12) HINGE TUBE PIVOT BUSH (2req)	624508	\$4.20			
13) FRONT QTR VALANCE SEAL (2req)	716200	\$5.00			
14) QUARTER VALANCE RH	TS31RH	\$149.99			
14) QUARTER VALANCE LH	TS31LH	\$149.99			
14a) QTR VALANCE BRACKETS & BOLTS (2req)	TS31/KIT	\$35.00			
GRILL ENDS LH & RH 1971-1972	715863/4	\$42.99			
15) FRONT GRILL USED	815026/USED	\$50.00			
16) FRONT LOWER VALANCE MK3 up to KF20000	715889	\$155.00			
17) FRONT SPOILER MK3 KF20001 onw ard	GLZ608	\$118.99			
18) HOOD SUPPORT STAY UPPER	613045	\$15.00			
19) HOOD SUPPORT STAY LOWER	613751	\$15.00			
20) OUTER HEADLAMP COVER RH	911102	\$128.24			
20) OUTER HEADLAMP COVER LH	911101	\$128.24			
21) ENGINE VALANCE LH	VP1643	\$98.82			
22) ENGINE VALANCE RH	VP1642	\$98.82			
23) HEADLAMP MOUNT PANEL RH	TS38RH	\$74.99			

## Bonnet Assembly MK3 & MK2

BONNET ASSEMBLY MK3	913766	\$2,900
BONNET ASSEMBLY MK2	908116	

## Door & Fender Mirrors

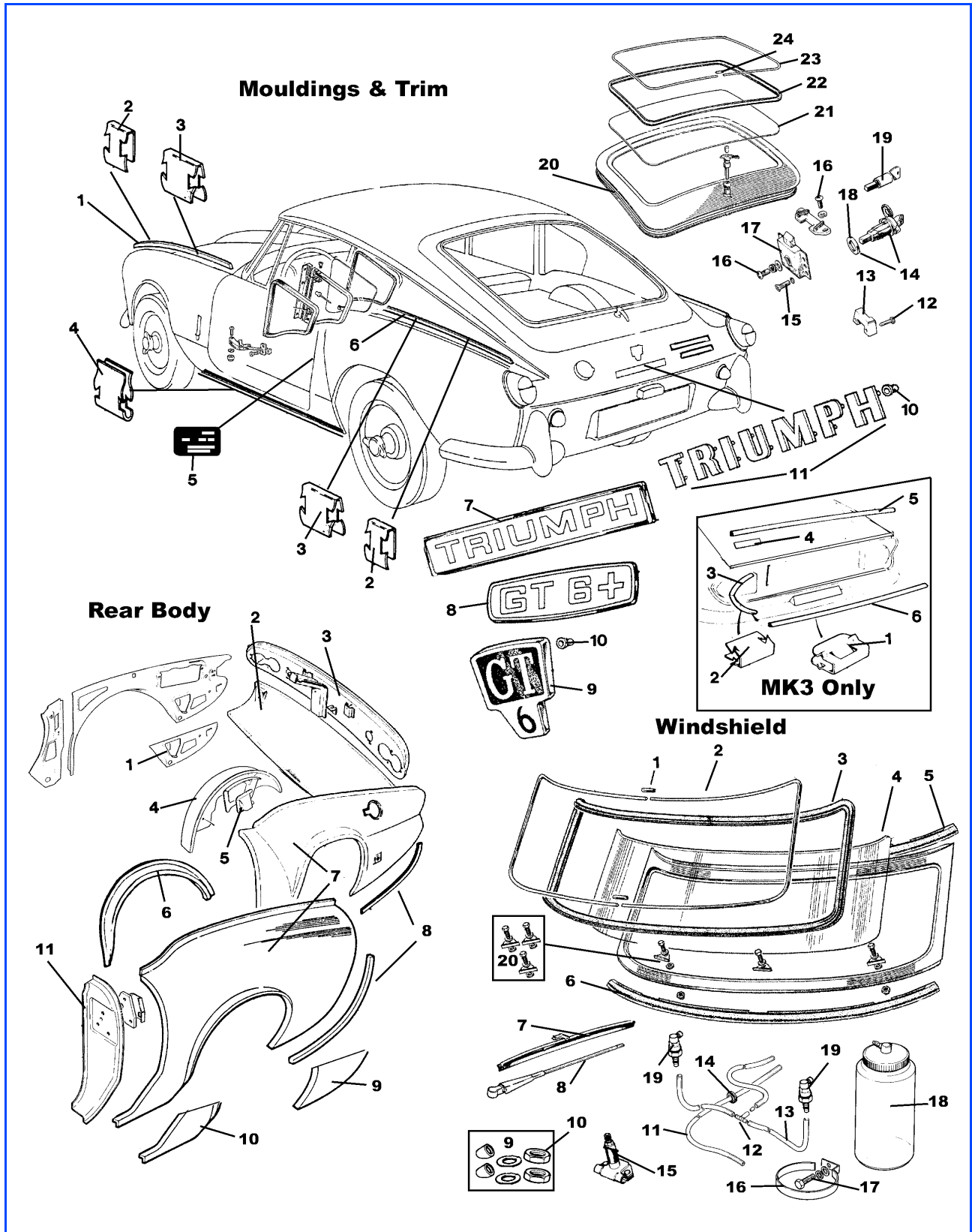
STAINLESS STEEL DOOR MIRROR RH MK3	GAM213	\$31.25
STAINLESS STEEL DOOR MIRROR LH MK3	GAM214	\$31.25
BULLET MIRROR 4.5" HEAD	HAC1528	\$69.99
LUCAS STYLE DOOR MIRROR (ROUND)	GAM1001X	\$25.99

## Front Bumper & Underiders

FRONT UNDERIDER RH 71-73	815278	\$83.99
FRONT UNDERIDER LH 71-73	815277	\$83.99
FRONT BUMPER MK3 \$150.00 CORE CHARGE	WKC2543	\$550.00
FRONT BUMPER MK1 \$150.00 CORE CHARGE	806956	\$550.00
FRONT BUMPER MK2 \$150.00 CORE CHARGE	811660	\$550.00
FRONT OVERIDERS MK1 (2req) \$30 CORE CHAR(710716/7		CALL
FRONT OVERIDERS MK2 (PAIR)	712705/6	CALL
FRONT OVERIDER RUBBER BUFFER MK2 (2req)	709753	\$5.99

(bumpers are triple plated rechromed)

Rear Body Bits - Click on image to go to website



## Body Mouldings & Trim

1) FRONT FENDER MOULDING MK1 (2 req)	710086	\$49.00	9) GT6 BADGE MK1	619860	\$42.99
1) FRONT FENDER MOULDING MK2 (2 req)	706556	\$53.50	10) FIXING	GHF1532	\$0.29
2) CLIPS FRONT & REAR MOULDING (40req) MK1	614107	NCA	11) TRIUMPH LETTER SET	703862/S	\$17.25
2) CLIPS FOR FRONT MOULDING (32req) MK2	613766	\$0.45	12) STRIKE PLATE MOUNTING SCREWS (2req)	CX2506	\$1.40
2) CLIPS FOR REAR MOULDING (16req) MK2/3	613766	\$0.45	13) TAILGATE LOCK STRIKE PLATE	619383	\$9.00
3) CLIPS FOR REAR MOULDING (4req) MK2/3	613886	\$0.55	14) TAILGATE HANDLE / LOCK MK1 & MK2	710497	\$66.25
3) CLIPS FOR FRONT MOULDING (4req) MK2	613886	\$0.55	14) TAILGATE HANDLE / LOCK MK3	722676	\$39.55
4) CLIPS FOR SILL MOULDING (16req)	GHF1154	\$0.50	15) MOUNTING SCREWS FOR TRUNK LOCK (4req)	KX4505	\$0.37
4a) SILL MOULDING RH	712986	\$55.00	16) SCREW	PX504	\$0.16
5) COMMISSION PLATE 1970 - 1972	CNP61	\$10.30	17) LOCK MECHANISM	710290	\$26.85
5) COMMISSION PLATE 1973	CNP62	\$10.30	18) TAILGATE HANDLE GASKET	624729	\$0.50
6) REAR FENDER MOULDING MK1 RH & LH	710686/7	CALL	19) TRUNK LOCK TUMBLER AND KEY MK3	722675/T	\$16.25
6) REAR FENDER MOULDING MK2 (2 req)	707319	\$58.62	20) TAILGATE SEAL 66-73	610657	\$19.99
6) REAR FENDER MOULDING MK3 Black (2 req)	715693	\$65.00	21) TAILGATE GLASS 66-73	722661	CALL
6) REAR FENDER MOULDING MK3 Stainless (2 req)	715693/SS	\$60.00	22) TAILGATE GLASS SEAL 66-73	904487	\$69.85
7) TRIUMPH BADGE MK2	622260	\$44.00	23) TAILGATE GLASS SEAL FINISHER 66-73	613955	\$9.99
8) GT6 + BADGE USA MK2	622497	\$49.99	24) FINISHER CLIP 66-73	611437	\$2.75

## Rear Bodywork

1) REAR LOWER REPAIR INNER RH MK3	TS51RH	\$57.74	1) CLIPS FOR VALANCE & TOP MLDG (14req)	GHF1154	\$0.50
1) REAR LOWER REPAIR INNER LH MK3	TS51LH	\$57.74	2) CLIPS REAR MOULDING (8 req)	613886	\$0.55
2) REAR VALANCE MK1 & MK2	TS27	\$200.00	3) REAR MOULDING LH	815023	\$76.95
2) REAR VALANCE MK3	TS28	\$158.00	#3) REAR MOULDING RH	815024	\$76.95
3) REAR LIGHT PANEL MK3	815395	\$359.00	4) MK3 GT6 BADGE	624738	\$51.30
4) INNER WHEEL WELL RH 66-73	TS64RH	\$99.99	5) TOP MOULDING	715696	\$69.25
4) INNER WHEEL WELL LH 66-73	TS64LH	\$99.99	6) REAR VALANCE MOULDING	715697	\$68.00
5) TOP SHOCK MOUNT LH	714655	\$99.99			
5) TOP SHOCK MOUNT RH	714656	\$99.99			
6) OUTER WHEEL WELL RH 71-73	TS50RH	\$165.30	1) WINDSHIELD CLIP FINISHER MK1 & MK2	611437	\$2.75
6) OUTER WHEEL WELL LH 71-73	TS50LH	\$165.30	1) WINDSHIELD CLIP FINISHER MK3 (2req)	ZKC2099	\$3.00
6) OUTER WHEEL WELL RH 66-70	SB1477	\$155.00	2) WINDSHIELD FINISHER MK1 & MK2	613954	\$9.99
6) OUTER WHEEL WELL LH 66-70	SB1478	\$155.00	2) WINDSHIELD FINISHER KIT MK3 (plastic)	SBK49	\$63.50
7) REAR FENDER RH 66-70 (UPS Oversize charge)	576409	\$320.00	2) WINDSHIELD FINISHER LH MK3 (plastic)	917248	\$35.00
7) REAR FENDER LH 66-70 (UPS Oversize charge)	576408	\$320.00	2) WINDSHIELD FINISHER RH MK3 (plastic)	917249	\$35.00
7) REAR FENDER MK3 RH (UPS Oversize charge)	TS33RH	\$255.00	3) WINDSHIELD RUBBER MK1 & MK2	913442	\$55.00
7) REAR FENDER MK3 LH (No fuel cutout) (UPS Oversize)	TS33LH	\$255.00	3) WINDSHIELD RUBBER MK3	909029	\$56.99
8) LOWER EDGE TRIM MK3 (2req)	715821	\$18.00	4) WINDSHIELD GLASS MK1 & 2 (\$30 packing)	906707	\$185.00
8) LOWER EDGE FENDER TRIM MK1 & MK2 (2 req)	706600	\$14.00	4) WINDSHIELD GLASS TINTED MK1 & 2 (\$30 packi	906707/TINT	\$211.25
9) REAR LOWER REPAIR PANEL LH MK1 & MK2	TS66LH	\$53.99	4) WINDSHIELD GLASS MK3 (\$30 packing charge)	917668	\$205.00
9) REAR LOWER REPAIR PANEL RH MK1 & MK2	TS66RH	\$53.99	4) WINDSHIELD GLASS TINTED not O.E (\$30.00 Pac	917668/TINT	\$208.99
9) REAR LOWER REPAIR OUTER LH MK3	TS21LH	\$49.99	5) WINDSHIELD SEAL TO ROOF MK1 & MK2	806144	\$35.00
9) REAR LOWER REPAIR OUTER RH MK3	TS21RH	\$49.99	6) LOWER WINDSHIELD SEAL MK1 & MK2	650130	\$28.57
10) REAR FENDER REPAIR 66-73 RH	TS20RH	\$39.99	7) WINDSHIELD WIPER 11" (2 req)	GWB117	\$11.99
10) REAR FENDER REPAIR 66-73 LH	TS20LH	\$39.99	7) WINDSHIELD WIPER 10" (2 req)	GWB219	\$11.99
11) B POST ASSEMBLY RH	TS46RH	\$110.85	7) WINDSHIELD WIPER MK3 (2 req)	GWB168	\$11.99
11) B POST ASSEMBLY LH	TS46LH	\$110.85	8) WIPER ARM LH MK3	156308	\$19.99
			8) WIPER ARM RH MK3	156307	\$24.99
			9) WHEEL BOX FITTING KIT (1req) 66-73	519988	\$16.99
			10) EIGHT SIDED WIPER NUT (2 req)	520205	\$1.55
			11) WASHER HOSE SOLD BY THE FOOT	WWT1	\$0.99
			12) "T" FITTING	612601	\$1.50
			13) WASHER HOSE SOLD BY THE FOOT	WWT2	\$0.99
			14) GROMMET	61917	\$0.50
			15) WIPER WHEEL BOX 1966 - 1968 (2 req)	134746	\$65.00
			15) WIPER WHEELBOX 1968 - 1973 (2req)	155430	\$30.99
			16) WASHER BOTTLE CLAMP	RTC2392	\$15.99
			17) BOLT & WASHERS	HU505/W	\$0.55
			18) WINDSHIELD WASHER BOTTLE & CAP	609172	\$17.18
			19) WINDSHIELD WASHER JETS (2 req)	GWV802	\$3.00
			20) WINDSHIELD ATTACHMENT KIT MK1 & 2	SBK44	\$17.99

## MK3 Rear Light Panel Mouldings

1) CLIPS FOR VALANCE & TOP MLDG (14req)	GHF1154	\$0.50
2) CLIPS REAR MOULDING (8 req)	613886	\$0.55
3) REAR MOULDING LH	815023	\$76.95
#3) REAR MOULDING RH	815024	\$76.95
4) MK3 GT6 BADGE	624738	\$51.30
5) TOP MOULDING	715696	\$69.25
6) REAR VALANCE MOULDING	715697	\$68.00

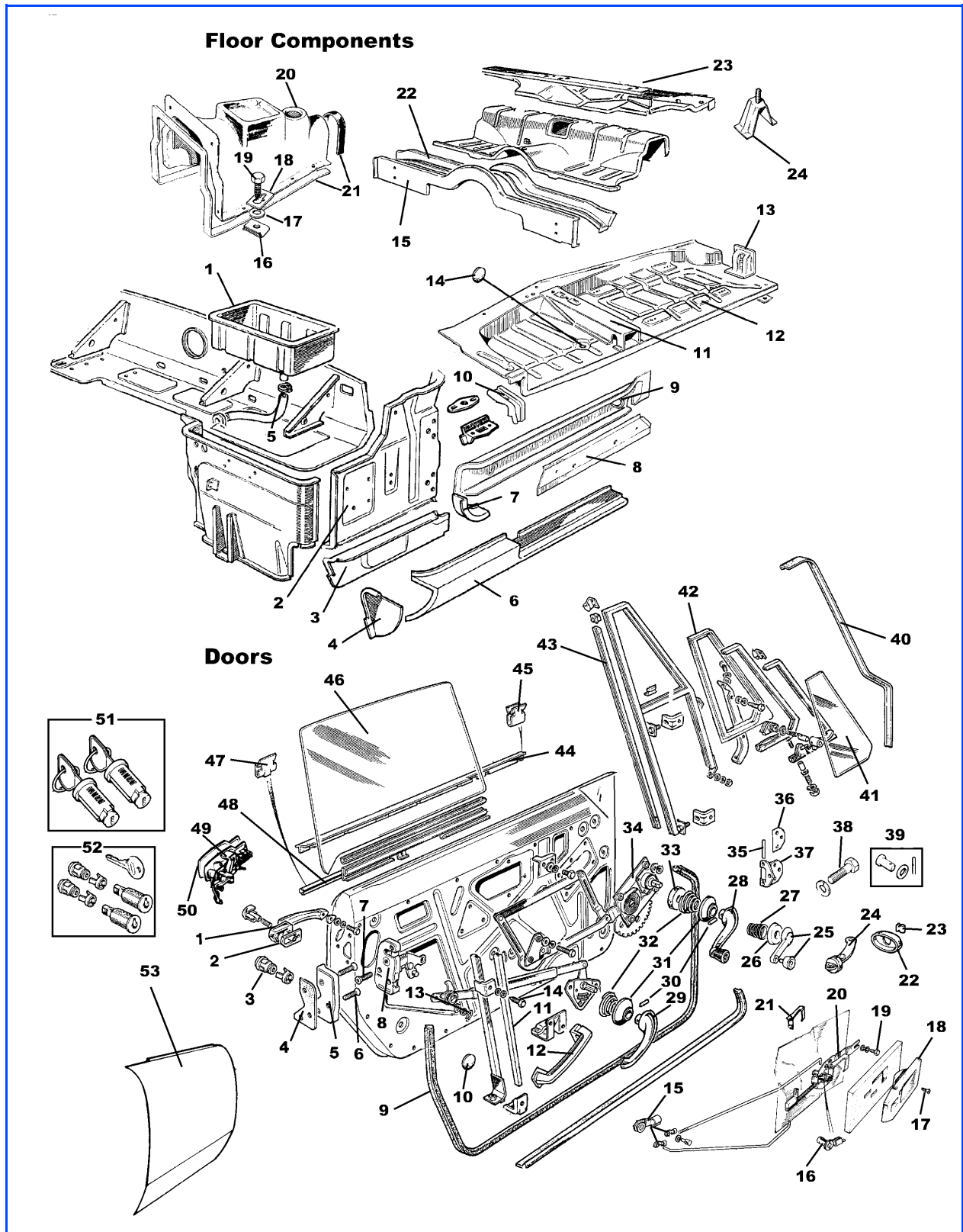
## Windshield

1) WINDSHIELD CLIP FINISHER MK1 & MK2	611437	\$2.75
1) WINDSHIELD CLIP FINISHER MK3 (2req)	ZKC2099	\$3.00
2) WINDSHIELD FINISHER MK1 & MK2	613954	\$9.99
2) WINDSHIELD FINISHER KIT MK3 (plastic)	SBK49	\$63.50
2) WINDSHIELD FINISHER LH MK3 (plastic)	917248	\$35.00
2) WINDSHIELD FINISHER RH MK3 (plastic)	917249	\$35.00
3) WINDSHIELD RUBBER MK1 & MK2	913442	\$55.00
3) WINDSHIELD RUBBER MK3	909029	\$56.99
4) WINDSHIELD GLASS MK1 & 2 (\$30 packing)	906707	\$185.00
4) WINDSHIELD GLASS TINTED MK1 & 2 (\$30 packi	906707/TINT	\$211.25
4) WINDSHIELD GLASS MK3 (\$30 packing charge)	917668	\$205.00
4) WINDSHIELD GLASS TINTED not O.E (\$30.00 Pac	917668/TINT	\$208.99
5) WINDSHIELD SEAL TO ROOF MK1 & MK2	806144	\$35.00
6) LOWER WINDSHIELD SEAL MK1 & MK2	650130	\$28.57
7) WINDSHIELD WIPER 11" (2 req)	GWB117	\$11.99
7) WINDSHIELD WIPER 10" (2 req)	GWB219	\$11.99
7) WINDSHIELD WIPER MK3 (2 req)	GWB168	\$11.99
8) WIPER ARM LH MK3	156308	\$19.99
8) WIPER ARM RH MK3	156307	\$24.99
9) WHEEL BOX FITTING KIT (1req) 66-73	519988	\$16.99
10) EIGHT SIDED WIPER NUT (2 req)	520205	\$1.55
11) WASHER HOSE SOLD BY THE FOOT	WWT1	\$0.99
12) "T" FITTING	612601	\$1.50
13) WASHER HOSE SOLD BY THE FOOT	WWT2	\$0.99
14) GROMMET	61917	\$0.50
15) WIPER WHEEL BOX 1966 - 1968 (2 req)	134746	\$65.00
15) WIPER WHEELBOX 1968 - 1973 (2req)	155430	\$30.99
16) WASHER BOTTLE CLAMP	RTC2392	\$15.99
17) BOLT & WASHERS	HU505/W	\$0.55
18) WINDSHIELD WASHER BOTTLE & CAP	609172	\$17.18
19) WINDSHIELD WASHER JETS (2 req)	GWV802	\$3.00
20) WINDSHIELD ATTACHMENT KIT MK1 & 2	SBK44	\$17.99

## Rear Bumpers not illustrated

QUARTER BUMPER RH MK1(\$25 CORE)	806901/RC	\$135.00	QUARTER BUMPER RH MK2(\$25 CORE)	811477/RC	\$135.00
QUARTER BUMPER LH MK1(\$25 CORE)	806900/RC	\$135.00	QUARTER BUMPER LH MK2(\$25 CORE)	811476/RC	\$135.00
			RUBBER MOULDING OVERIDER 66-70 (8req)	552218	\$0.50

Interior Body Bits - Click on image to go to website



## Center Body and Floor

		All Models			
1) BATTERY BOX	TS43	\$55.00	10) FRONT BRACKET MOUNTING RH	TS53RH	\$40.96
2) A POST UPPER REPAIR PANEL LH	TS52A/LH	\$101.98	10) FRONT BRACKET MOUNTING LH	TS53LH	\$40.96
2) A POST UPPER REPAIR PANEL RH	TS52A/RH	\$101.98	11) FLOOR CROSS MEMBER RH & LH (2req)	TS25	\$55.00
3) A POST LOWER REPAIR PANEL LH	TS52LH	\$79.99	12) FLOOR PAN LH (UPS oversize 2)	TS22LH	\$235.00
3) A POST LOWER REPAIR PANEL RH	TS52RH	\$79.99	12) FLOOR PAN RH (UPS oversize 2)	TS22RH	\$235.00
4) SILL CLOSING RH	TS13RH	\$16.99	#13) HEEL BOARD BRACKET ASSY	TS55	\$108.56
4) SILL CLOSING LH	TS13LH	\$16.99	#14) DRAIN PLUG (4 req)	BW548	\$1.25
5) CLAMP	CS4012	\$2.00	15) HEEL BOARD	TS54	\$100.00
6) ROCKER PANEL LH	TS16LH	\$95.99	16) SPIRE CLIP (8req)	GHF713	\$0.25
6) ROCKER PANEL RH	TS16RH	\$95.99	17) WASHER (10req)	WP5	\$0.15
7) A POST FILLER PANEL LH	TS10LH	\$39.95	18) COVER RETAINING PLATE (8req)	608383	\$2.00
7) A POST FILLER PANEL RH	TS10RH	\$39.95	19) SCREW (10req)	YH6507	\$0.30
8) INNER SILL STRENGTHENER LH	TS17LH	\$19.99	20) ABS GEARBOX COVER (UPS oversize)	CC1076	\$99.99
8) INNER SILL STRENGTHENER RH	TS17RH	\$19.99	21) GEARBOX COVER SEALING STRIP	611957/K	\$14.50
9) INNER SILL LH	TS18LH	\$49.99	22) CROSS MEMBER ASSEMBLY TO HEELBOARDS	TS62	\$184.20
9) INNER SILL RH	TS18RH	\$49.99	23) TRUNK FLOOR	TS30	\$229.99
			24) SPARE WHEEL BRACKET WITH NUT	TS40	\$25.54

## Doors

1) EXTERIOR HANDLE RH & LH MK1 & MK2 (2 req)	712837	\$47.25	29) DOOR HANDLE MK2 (2 req)	621770	\$21.99
2) HANDLE GASKET SET MK1 & 2 (1req per car)	617402/3	\$2.99	30) PIN 66-73	600832	\$0.50
3) DOOR LOCK MK1 & MK2 PAIR	621773	\$36.35	31) HANDLE ESCUTION MK1 (4 req)	650261	\$2.90
4) SHIM 66-73	621714	\$2.00	31) HANDLE ESCUTION MK2 (4 req)	623843	\$2.40
5) STRIKE PLATE RH LATE MK1 onward	CZA3310	\$26.85	32) SPRING MK1 & MK2 (4 req)	603382	\$2.00
5) STRIKE PLATE LH LATE MK1 onward	CZA3311	\$26.85	33) WASHER 66-73 (2 req)	609649	\$0.55
6) STRIKE PLATE SCREW LONG 11/4" (2req)	ZKC37	\$0.65	34) WINDOW REGULATOR LH 66-73	810400/USEI	\$55.00
6) STRIKE PLATE SCREW SHORT 5/8" (4req)	ZKC38	\$0.65	34) WINDOW REGULATOR RH 66-73	810401/USEI	\$55.00
7) DOOR LOCK SCREW 1" (4req)	ZKC36	\$0.65	35) HINGE PIN 66-73 (4req)	607823	\$5.15
7) DOOR LOCK SCREW LONG 11/4" (2req)	ZKC37	\$0.65	36) DOOR HINGE GASKET (4 req)	610042	\$0.75
8) USED DOOR LOCK ASSEMBLY LH LATE MK1 on	907177USED	\$30.00	37) DOOR HINGE 66-73 (4req)	607824	\$39.99
8) USED DOOR LOCK ASSEMBLY RH LATE MK1 on	907178USED	\$30.00	37) SCREW COUNTERSUNK (4req)	KX4806	\$1.06
9) DOOR TRIM FURFLEX BLACK 66-73 (2 req)	724031	\$39.00	38) DOOR HINGE BOLT & LOCK WASHER (20req)	HU807/LW	\$0.50
10) DRAIN PLUG (4req)	BW547	\$1.00	39) DOOR CHECK STRAP PIN KIT (2req)	613239	\$1.25
11) RUBBER SILENT RUN REAR (2 req)	710650	\$3.25	40) DOOR SEAL TO WINDSHIELD FRAME (2 req)	630755	\$5.50
12) DOOR PULL ASSEMBLY MK1 & 2 (2 req)	619680	\$12.49	41) QUARTER LIGHT GLASS RH	574064	NCA
12) DOOR PULL SCREW MK1 & 2 (4 req)	511664	\$0.75	41) QUARTER LIGHT GLASS LH	574063	NCA
13) CLIP REMOTE CONTROL LINK TO DOOR LOCK	608703	\$0.60	42) QUARTER WINDOW SEAL PAIR	574098/9	\$129.99
14) BOLT AND LOCK WASHER	HU705	\$0.35	43) RUBBER SILENT RUN FRONT (2 req)	710651	\$6.50
15) CLIP FOR DOOR LOCK ROD (4req)	GHF1180	\$1.75	44) OUTER WAIST SEAL (2req)	612792	\$12.99
16) CLIP DOOR ROD TO HANDLE MK3 (2req)	937609	\$0.99	45) OUTER WAIST SEAL CLIPS (14req)	613169	\$0.46
17) BEZEL SCREW MK3 (2req)	509278	\$0.79	46) WINDOW GLASS RH	810042	CALL
18) HANDLE BEZEL LH MK3	819803	\$26.65	46) WINDOW GLASS LH	810041	CALL
18) HANDLE BEZEL RH MK3	819804	\$26.79	47) INNER WAIST SEAL CLIPS (8req)	GHF1582	\$0.40
19) BOLT, WASHER & LOCK WASHER MK3 (6req)	HU704/LW	\$0.55	48) INNER WAIST SEAL (2req)	612806	\$5.50
20) INTERIOR HANDLE ASSEMBLY LH MK3	819801	\$44.50	49) EXTERIOR HANDLE LH MK3	915633	
20) INTERIOR HANDLE ASSEMBLY RH MK3	819802	\$44.00	49) EXTERIOR HANDLE RH MK3	915634	
21) INTERIOR HANDLE LEVER ONLY LH MK3	819801/REPAI	\$25.00	49) HANDLE PAIR (matching locks MK3 )	915633/4	\$246.99
21) INTERIOR HANDLE LEVER ONLY RH MK3	819802/REPAI	\$25.00	50) HANDLE GASKET MK3 (2 req)	577473	\$2.99
22) DOOR CHECK SEAL (2req)	602821	\$2.60	51) DOOR HANDLE LOCK MK3 PAIR	576469	\$71.62
23) CHECK SEAL CLIP (4req)	553121	\$0.45	52) MATCHED LOCK KIT MK1 & MK2 not 1970	SBK47A	\$69.50
24) DOOR CHECK STRAP 66-73 (2req)	613024	\$15.50	<i>Above kit includes 2 door locks, ignition lock &amp; rear hatch tumbler.</i>		
25) WINDOW WINDER HANDLE MK2 & MK3 (2 req)	621811	\$19.99	53) DOOR SKIN LH MK1 & MK2	TS11LH	\$99.99
26) HANDLE ESCUTION MK3 (2 req)	623843	\$2.40	53) DOOR SKIN RH MK1 & MK2	TS11RH	\$99.99
27) SPRING MK3 (2 req)	603382	\$2.00	53) DOOR SKIN LH MK3	TS12LH	\$105.95
28) WINDOW WINDER HANDLE MK1 (2 req)	613017	\$21.42	53) DOOR SKIN RH MK3	TS12RH	\$105.95
29) DOOR HANDLE MK1 (2 req)	608454	\$19.99	53) COMPLETE DOOR ASSEMBLY LH MK1/ 2	TS78	\$522.65
			53) COMPLETE DOOR ASSEMBLY LH MK3	TS77	\$522.65



## Rear Differential

1) RUBBER MOUNT UPPER (2 req)	133568	\$5.30	22) USED INNER AXLE SHAFT (2req)	139531USED	\$45.00
2) RUBBER MOUNT LOWER (2 req)	131796	\$1.00	23) OIL SEAL INNER (2 req)	117952	\$3.95
3) MOUNTING WASHER (2req)	WM810	\$1.25	24) SCREW & WASHER (8req)	123803	\$0.35
4) MOUNTING LOCK NUT (2req)	YN3209	\$0.50	25) INNER BEARING (2 req)	533360A	\$15.00
5) PINION FLANGE	UKC764	CALL	26) CIRCLIP (2 req)	139532	NCA
6) PINION OIL SEAL	141242	\$4.99	27) REAR MOUNT BUSHING (2 req)	117578	\$5.50
7) PINION BEARING	134070	\$17.99	29) GASKET	114749	\$0.75
8) SHIM .010"	140791	\$2.99	30) MOUNTING BOLT, WASHER & LOCK NUT	136869	\$11.99
8) SHIM .005"	140792	\$2.99	32) STUD NON ROTO (6 req MK1 4req MK3)	131008	\$3.89
8) SHIM .003"	140793	\$2.99	32) STUD ROTOFLEX (6 req)	151824	\$1.99
9) PINION SPACER	145933	\$9.50	33) WASHER	WP110	\$0.15
10) BOLT & SHAKE PROOF WASHER (4req)	132856/SW	\$5.25	34) LOCK NUT	YN2909	\$0.35
11) BOLT & LOCK WASHER (8req)	HU808/LW	\$0.65	35) POLY DIFFERENTIAL FRONT MOUNT KIT	BAC11	\$23.49
12) SHIM .081"	145922	\$3.99			
12) SHIM .0885"	145927	\$5.00			
12) SHIM .0915"	145929	\$3.99			
12) SHIM .096"	145932	\$3.99			
13) REAR PINION BEARING	134065	\$23.99	3.89:1 DIFFERENTIAL 6 STUD (exchange)	515744N	\$1,375
14) CROSS PIN	134072	\$12.50	(above diff comes with NEW crown wheel & pinion)		
15) CROWN WHEEL & PINION 3.89:1	159801	\$499.99	3.27:1 DIFFERENTIAL 6 STUD (exchange)	515743	\$1,000
15) CROWN WHEEL & PINION 3.63:1not orig fitted	159802	\$499.99	3.89:1 DIFFERENTIAL 4 STUD (exchange)	RTC2305R	\$850.00
15) CROWN WHEEL & PINION 3.27:1 (21H5478 carrier)	159803	\$499.99	3.89:1 DIFFERENTIAL 4 STUD (exchange)	UKC1497N	\$1,375
16) SHIM	134075	\$3.00	(above diff comes with NEW crown wheel & pinion)		
17) GEAR 16 teeth	134073	CALL	3.63:1 DIFFERENTIAL 4 STUD (exchange)	TKC3718R	\$850.00
18) PINION GEAR 10 teeth	134074	CALL			
19) THRUST WASHER PINION	148805	\$6.25			
20) CARRIER BEARING 1966 - 73 KF20,000 (2 req)	130355	\$19.69	1) DRIVE FLANGE (2req)	37H4973	\$26.99
20) CARRIER BEARING MK3 1973 from KF20001 (2 req)	GHB105	\$11.00	2) BOLT & LOCK NUT (8req)	132023/LN	\$1.60
21) SHIM .003	156082	\$2.99	3) U JOINT (2req)	HS150	\$13.00
21) SHIM .005	156083	\$1.50	4) DRIVESHAFT OVERDRIVE 36"	213151	\$375.56
			4) DRIVESHAFT NON OVERDRIVE 39.5"	213150	\$325.00

## Rebuilt Differential \$200 Core Charge.

Comes with 12month 12,000 mile warranty.

3.89:1 DIFFERENTIAL 6 STUD (exchange)	515744N	\$1,375
(above diff comes with NEW crown wheel & pinion)		
3.27:1 DIFFERENTIAL 6 STUD (exchange)	515743	\$1,000
3.89:1 DIFFERENTIAL 4 STUD (exchange)	RTC2305R	\$850.00
3.89:1 DIFFERENTIAL 4 STUD (exchange)	UKC1497N	\$1,375
(above diff comes with NEW crown wheel & pinion)		
3.63:1 DIFFERENTIAL 4 STUD (exchange)	TKC3718R	\$850.00

## Drive Shafts

1) DRIVE FLANGE (2req)	37H4973	\$26.99
2) BOLT & LOCK NUT (8req)	132023/LN	\$1.60
3) U JOINT (2req)	HS150	\$13.00
4) DRIVESHAFT OVERDRIVE 36"	213151	\$375.56
4) DRIVESHAFT NON OVERDRIVE 39.5"	213150	\$325.00

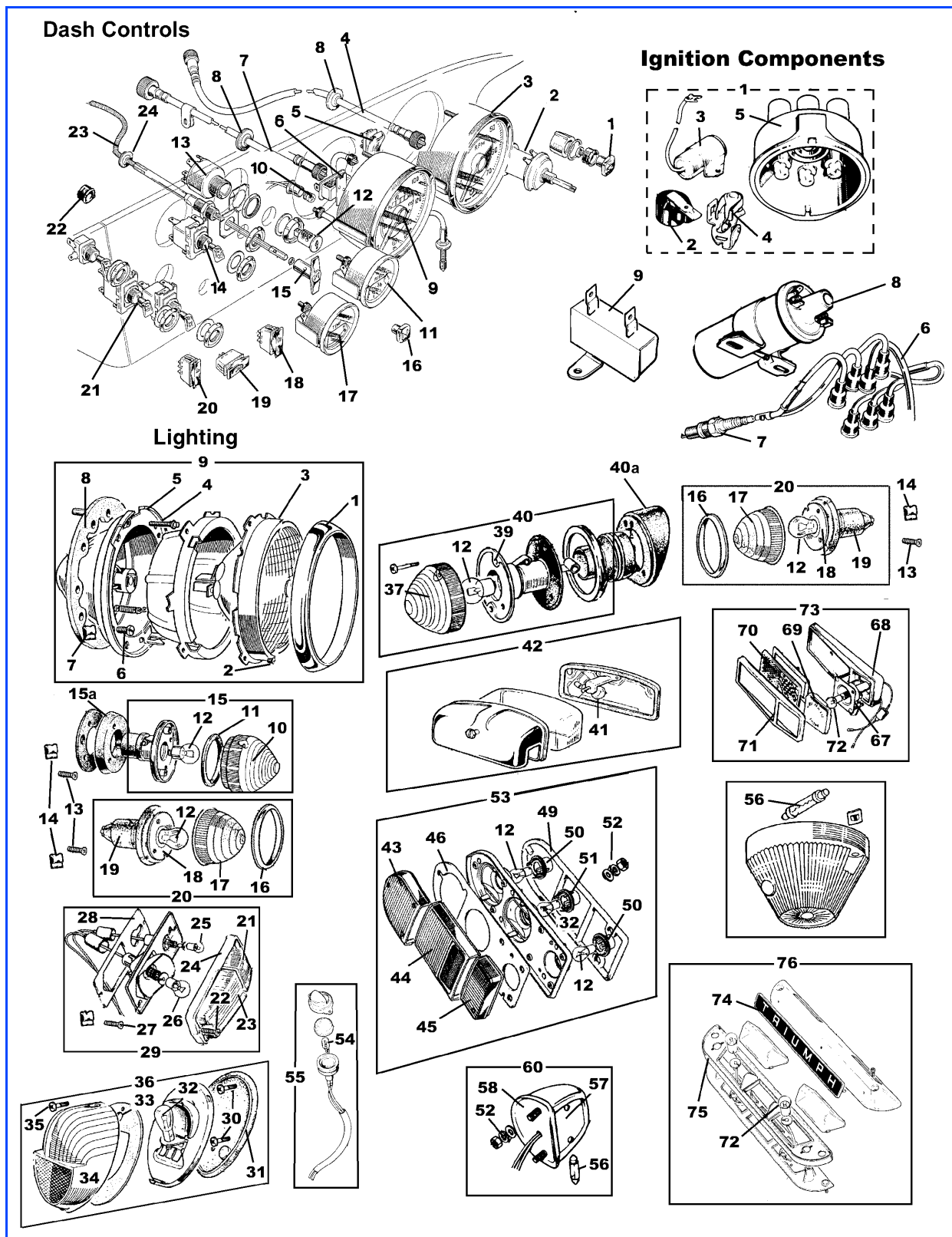
## Overdrive D Type

1) GASKET ADAPTER PLATE	106437	\$0.80	30) O RING PISTON OPERATING CLUTCH (2req)	506130	\$0.50
2) GASKET MAIN CASING	37H1901	\$1.50	31) SUNWHEEL CIRCLIP	506091	\$4.40
3) DRAIN PLUG	506114	CALL	32) CIRCLIP	515356	\$3.75
4) SEAL	506118	\$2.25	33) SPRING (4req)	513199	\$8.50
5) FILTER COVER	506097	CALL	34) CLUTCH RETAINING PLATE	506104	CALL
6) FILTER COVER GASKET	506098	\$1.20	35) CLUTCH THRUST BEARING	506112	\$29.99
7) FILTER	513202	\$35.00	36) CLUTCH SLIDING MEMBER (\$90 core charge)	513200	\$239.00
8) SEALING PLATE	506107	CALL	37) SUN WHEEL	506044	\$55.00
9) RELIEF VALVE PLUG	N/A		38) RING SPRING	513223	\$5.00
10) WASHER	506118	\$2.25	39) CAGE ROLLER	502559	CALL
11) O RING	506129	\$0.95	40) SPRING FOR CAGE	513208	\$0.50
12) PLUNGER OIL PUMP	513196	\$24.00	41) ROLLERS	506063	\$6.50
13) SPRING	500633	\$7.75	42) CIRCLIP SUN WHEEL	513210	\$5.75
14) BALL BEARING	BL0014	\$0.35	43) RETAINING PLATE	513215	\$5.45
15) SEALING WASHER	506118	\$2.25	44) THRUST WASHER	500613	\$28.64
16) PLUG	513206	\$11.00	45) NEEDLE ROLLER BEARING	506113	\$12.80
18) GASKET	513204	\$0.77	46) ANNULUS	513195	CALL
19) COVER	506109	CALL	47) BEARING FRONT ANNULUS	506111	\$32.00
20) SOLENOID	512114	\$76.99	48) DRIVE GEAR	506099	\$22.00
20a) SOLENOID GASKET	513201	\$2.50	49) REAR BEARING ANNULUS	533360A	\$10.00
21) OPERATING VALVE LEVER	506064	CALL	50) O RING	506115	\$0.95
22) O RING	500594	\$0.50	51) SPEEDO DRIVE GEAR ASSEMBLY	506067	134.51
23) PLUNGER BALL VALVE	500591	\$3.50	52) O/D CAM	513216	\$50.00
24) BALL BEARING	BL0020	\$0.40	53) SPEEDOMETER ANGLE DRIVE	120694	\$55.00
26) RING CLUTCH	513228	CALL	54) OVERDRIVE SWITCH BRACKET not illustrated	133770	\$22.50
27) REAR SEAL	513231	\$4.50	55) KEY	KW316	\$0.50
28) OUTPUT FLANGE	513212	N/A			
29) PISTON OPERATING CLUTCH (2req)	513220	\$22.00	REBUILT D TYPE O/D (\$200 Core charge)	307862	\$755.75

## Rebuilt Overdrive D Type

REBUILT D TYPE O/D (\$200 Core charge)	307862	\$755.75
--	--------	----------

Dash, Ignition & Lighting Bits - Click on image to go to website



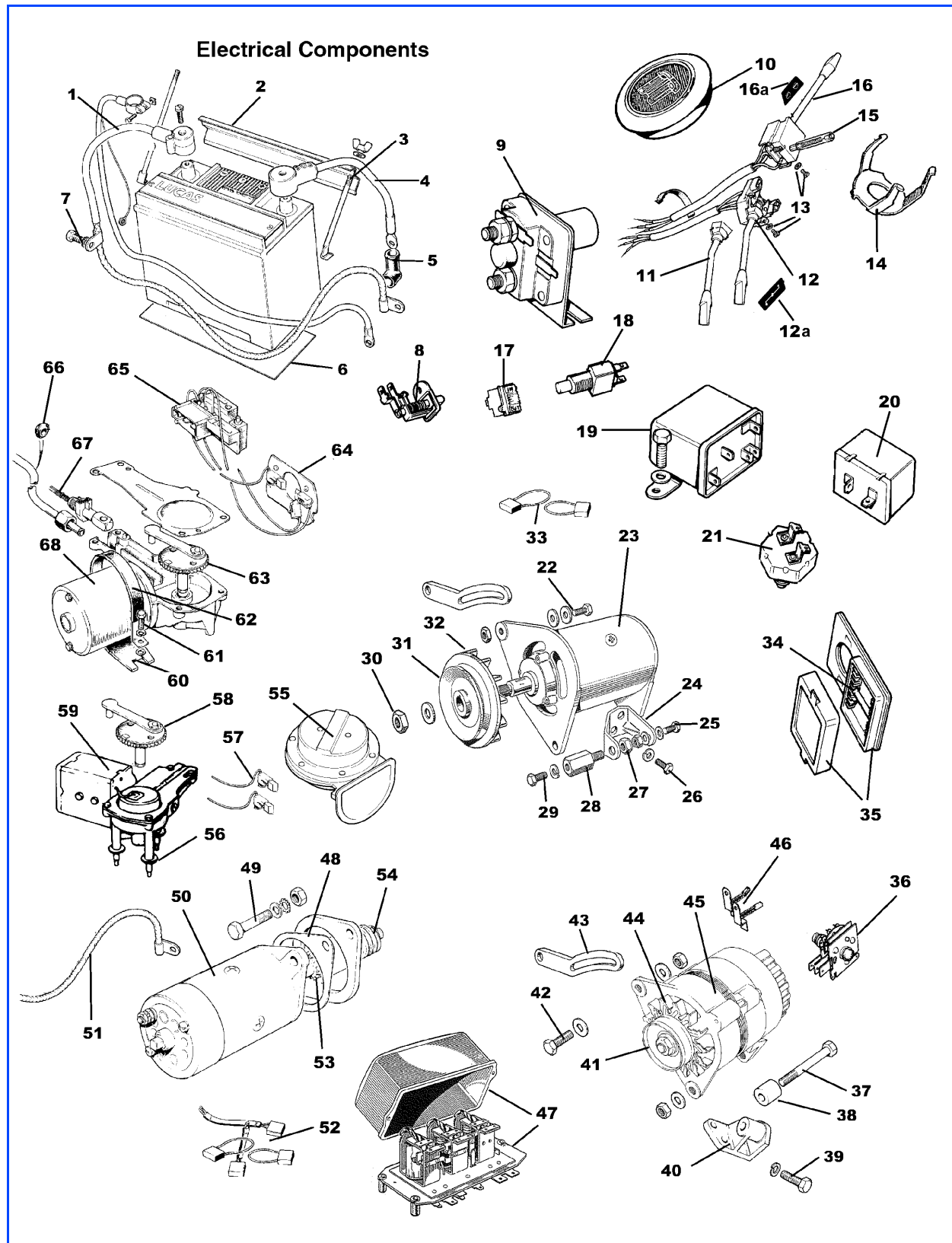
## Dash Controls

1) WASHER SWITCH KNOB MK2 & MK3	725374	\$3.50	19) DEFOG SWITCH MK2 & 3 (replacement)	150377L	\$30.00
2) WASHER SWITCH MK2 & MK3	155495/X	\$77.15	20) DOME SWITCH MK2 & MK3 (replacement)	150379L	\$30.00
3) TACHOMETER	CALL	CALL	21) WIPER SWITCH MK1 TWO SPEED	143841	\$50.00
4) TACHOMETER CABLE 1966-1973	138316	\$19.99	22) WARNING LIGHT USED	148830USED	\$10.00
5) HAZARD SWITCH MK2 & MK3	156044	\$57.85	23) CHOKE CABLE MK1 (includes knob)	214787	\$53.00
6) VOLTAGE REGULATOR	148876	\$15.99	23) CHOKE CABLE MK2/3 (includes knob)	215502	\$58.00
7) SPEEDOMETER CABLE MK1& MK2	GSD169	\$19.65	23) CHOKE CABLE LATE MK3 (includes knob)	218304	\$58.00
7) SPEEDOMETER CABLE MK3 NON O/D	GSD117	\$15.99	24) CHOKE CABLE GROMMET	61917	\$0.50
7) SPEEDOMETER CABLE MK3 O/D	GSD115	\$16.00	<b>Ignition Components</b>		
8) CABLE GROMMET	600396	\$0.99	1) TUNE UP KIT (POINTS, CONDENSER CAP ROTOISBK43B)		\$18.00
9) SPEEDOMETER	CALL	CALL	2) ROTOR	47800	\$4.50
10) INSTRUMENT BULB (screw in type)	GLB987	\$0.55	3) CONDENSER	33760	\$3.25
11) FUEL GAUGE MK3 from KF20,001	159604	\$59.99	4) POINT SET	22830	\$3.89
12) IGNITION SWITCH (reproduction) MK1 SOME MK2	127651X	\$15.00	5) DISTRIBUTOR CAP	GDC109	\$11.00
12) IGNITION SWITCH BARREL w with keys MK1	572540	\$7.99	6) SPARK PLUG WIRES	GHT144	\$28.63
13) IGNITION SWITCH MK1 & SOME MK2 (w with keys)	34680	\$21.67	7) SPARK PLUGS CHAMPION MK1 & MK2	CHN9YC	\$2.79
14) LIGHTING MASTER SWITCH MK1	145203	\$60.00	7) SPARK PLUGS CHAMPION MK3	CHN12YC	\$2.79
15) CHOKE KNOB MK1 "T"	143136	\$3.50	8) COIL LUCAS STOCK MK1 & MK2	DLB101	\$30.80
16) CHOKE KNOB LATE MK1, MK2 & MK3	712907	\$4.10	8) COIL LUCAS STOCK MK3	DLB102	\$29.99
16) CHOKE KNOB LATE MK3 (CHOKE)	725373	\$3.25	8) LUCAS SPORT COIL 12 VOLT MK1 & MK2	DLB105	\$37.15
17) TEMP GAUGE MK3 from KF20,001	159606	\$59.99	8) LUCAS SPORT COIL 6 VOLT MK3	DLB110	\$38.00
17) TEMP / OIL PRESSURE GAUGE WITH TEMP FITTING	BHA4900	\$169.00	9) BALLAST RESISTOR MK3	134176	\$11.50
18) LIGHTING SWITCH MK2 & MK3	30731	\$11.99	CRANE ELECTRONIC IGNITION (not illustrated)	XR700-231	\$169.99

## Lighting

1) HEADLAMP RIM MK1 & MK2 (2req)	119072/X	\$25.99	36) REAR STOP LIGHT ASSY MK1 & MK2 (2req)	217025	\$99.99
2) SCREW RIM MOUNTING (6req)	507086	\$0.27	37) REAR TURN LENS RED MK1 (2req)	514062	\$9.99
3) RETAINER RIM (2req)	515218	\$6.99	37) REAR TURN LENS AMBER MK2 (2req)	516301	\$3.99
4) ADJUSTER KIT (2 req)	BHM7058	\$7.50	37) REAR TURN LENS RED MK2 (2req)	516302	\$11.99
5) HEADLAMP BOWL LUCAS (2req)	520080	\$20.00	39) LENS GASKET MK1 & 1970 ONLY	147553	\$2.00
6) MOUNTING SCREW MK1 & 2 (6req)	YF7406	\$0.15	40) REAR TURN LIGHT MK1 w with red lens (2req)	136581	\$48.00
7) SPIRE CLIP MK1 & MK2 (6req)	FC2804	\$0.76	40) REAR TURN LIGHT MK2 w with amber lens (2req)	147551	\$25.00
8) RUBBER SEAL MK1 & MK2 (2req)	512222	\$6.99	40) REAR TURN LIGHT 1970 (not original) (2req)	153971/A	\$48.00
8) RUBBER SEAL MK3 (2req)	149266	\$3.99	41) BULB	GLB233	\$0.55
9) HEADLAMP & BOWL MK1 & MK2 (2req)	512224	\$80.00	42) LICENSE PLATE LAMP MK1 & MK2	127916	\$25.00
9) HEADLAMP & BOWL MK3 (2req)	514579	\$80.00	43) REAR TURN LENS (2req)	RTC1176	\$11.50
10) FRONT TURN LAMP LENS WHITE MK1 (2req)	514421	\$9.99	44) STOP LENS (2req)	RTC1177	\$12.25
11) LENS GASKET TURN LAMP MK1 (2 req)	147553	\$2.00	45) REVERSE LENS (2req)	RTC1174	\$10.50
12) BULB	GLB382	\$0.55	46) REAR LENS GASKET (2req)	520091	\$2.75
13) SET SCREW	YZ3304	\$0.15	49) REAR LAMP GASKET (2req)	RTC1175	\$2.00
14) SPIRE CLIP	FU2583	\$0.49	50) BULB HOLDER TURN LAMP & REVERSE LAMP	518042	\$4.50
15) FRONT TURN LAMP MK1 WHITE (2req)	140690	\$45.99	51) BULB HOLDER STOP / TAIL LAMP	518041	\$4.50
16) CHROME RIM (4req)	505884	\$3.50	52) MOUNTING NUT & WASHERS	HN2005/W	\$0.35
17) PARK LAMP LENS WHITE MK1 & REVERSE (4req)	505886	\$8.99	53) REAR LIGHT CLUSTER MK3 RH or LH (2req)	TKC943	\$125.00
18) BULB HOLDER (4req)	508165	\$11.99	54) BULB (2req)	GLB501	\$1.05
19) RUBBER BODY (4req)	508162	\$3.50	55) REAR LICENSE PLATE LAMP 1970 YEAR	142002	\$7.99
20) FRONT PARK LIGHT & REVERSE WHITE MK1 (4req)	121355	\$32.00	56) BULB (2req)	GLB254	\$0.55
21) AMBER PARK LENS LATE MK2 (2req)	518145	\$10.31	57) LICENSE PLATE LAMP LENS MK3 1973	159838/LENS	\$7.50
21) WHITE PARK LENS MK2 (2req)	516308	\$4.75	58) LICENSE PLATE LAMP GASKET MK3	159838/GASI	\$4.99
22) SCREW FIXING CHROME RIM (4req)	516305	\$0.55	60) LICENSE PLATE LAMP MK3 1973 (2req)	159838	\$29.00
23) AMBER TURN LENS MK2 (2req)	516306	\$6.10	67) BULB HOLDER FRONT 1970 - 73 (2req)	506619F	\$9.00
24) CHROME RIM MK2 & MK3 (2req)	516304	\$11.40	67) BULB HOLDER REAR 1970 - 73 (2req)	506619R	\$9.00
25) BULB PARK MK2 up to 1969 (2req)	GLB207	\$0.55	68) MOUNTING RUBBER SET (1req)	158565/6	\$80.00
26) BULB TURN MK2 up to 1969 (2req)	GLB382	\$0.55	69) LENS RED 1970 - 73 (2req)	608224	
26) BULB 1970 - 1973 TURN & PARK (2req)	GLB380	\$0.55	69) LENS AMBER 1970 - 73 (2req)	90/608222	\$15.00
27) PAN HEAD MOUNTING SCREW (4req)	PX504	\$0.16	70) REFLECTOR RED 1970 - 73 (2req)	589517	\$25.99
28) GASKET MK2 EXCEPT 1970 (4req)	154049	\$2.00	70) REFLECTOR AMBER 1970 - 73 (2req)	90/608223	\$28.99
28) GASKET 1970 MK2 & all MK3 (2req)	518920	\$3.20	71) CHROME RIM 1970 - 73 USED (4req)	519364	\$15.00
29) FRONT PARK w hite / TURN LAMP amber MK2 (2req)	147547	\$30.99	72) BULB	GLB989	\$0.55
29) FRONT PARK / TURN LAMP MK3 (2req)	56159	\$64.00	73) REFLECTOR AMBER 1969 ONLY	151872	\$25.99
30) MOUNTING SCREW (4req)	PX505	\$0.36	73) REFLECTOR RED 1969 ONLY	153931	\$25.99
31) RUBBER GASKET LAMP TO BODY (2req)	511803	\$3.50	73) FRONT RH SIDE MARKER 1972-73	158561	\$82.00
32) BULB	GLB380	\$0.55	73) FRONT LH SIDE MARKER 1972-73	158562	\$82.00
33) STOP LAMP LENS GASKET (2req)	511802	\$1.50	74) TRIUMPH BADGE	626859	\$40.00
34) REAR STOP / TAIL LIGHT LENS (2req)	511800	\$14.00	75) RUBBER GASKET 1971-1972	215823	\$9.99
35) LENS SCREW (2req)	511801	\$0.75	76) LICENSE PLATE LAMP MK3 1971-72	718028	\$241.25

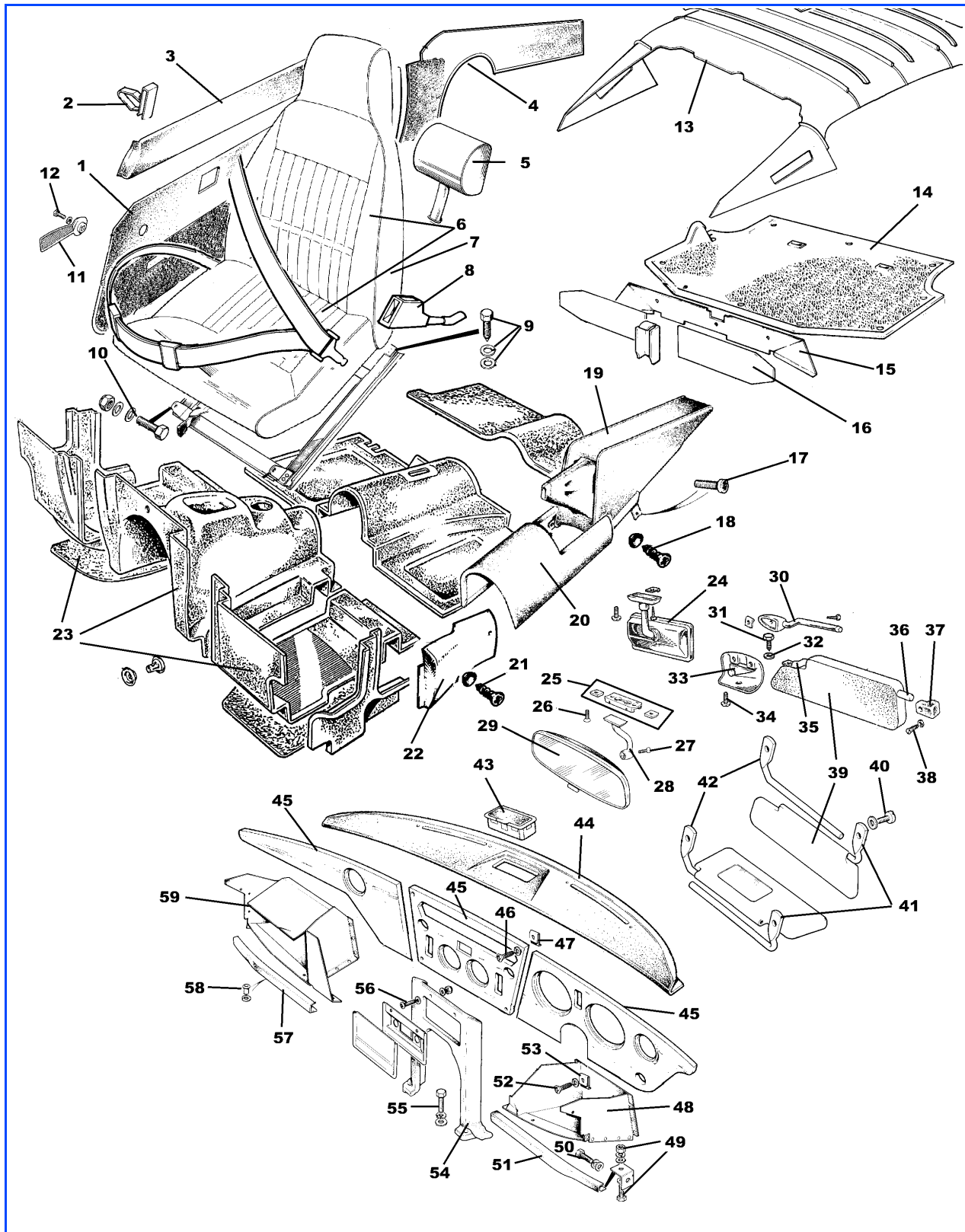
Electrical Bits - Click on image to go to website



## Electrical Components

1) BATTERY CABLE NEGATIVE	515997	\$39.99	44) FAN BLADE	AAU3956	\$11.00
2) BATTERY RETAINER BAR	142087	\$9.99	45) ALTERNATOR REBUILT 16 ACR	GEU207	\$89.00
3) J BOLT 4" , WASHER & WING NUT (2req)	601552/KIT	\$2.50	45) ALTERNATOR NEW 18 ACR	LRA100	\$111.50
3) J BOLT 5 3/4" , WASHER & WING NUT (2req)	613051/KIT	\$4.50	46) ALTERNATOR BRUSH SET	GGB504	\$3.50
4) BATTERY CABLE POSITIVE	515873	\$25.00	47) CONTROL BOX MK1 ONLY	NCB132	\$39.99
5) TERMINAL BOOT	115706	\$1.50	48) SHIM	104549	
6) BATTERY MAT (rubber)	613155	\$3.10	49) MOUNTING BOLT, WASHER & NUT (2req)	HB917/WN	\$1.00
7) BOLT & SHAKEPROOF WASHER (GHF321)	HU704/SW	\$0.45	50) STARTER MOTOR ASSEMBLY	LRS101N	\$120.00
8) COURTESY LIGHT SWITCH MK1 & MK2	606240	\$4.00	51) STARTER MOTOR TO SOLENOID CABLE	UKC1363	\$14.54
8) TAILGATE LIGHT SWITCH	606240	\$4.00	52) STARTER MOTOR BRUSH SET	GSB102	\$5.80
8) COURTESY LIGHT SWITCH MK3 LH	627745	\$4.25	53) DRIVE GEAR 9 TOOTH	67H5010	
9) STARTER SOLENOID MK1 & MK2	13H5952	\$14.95	54) SPRING	7H5045	\$11.00
9) STARTER SOLENOID MK3	RTC461R	\$14.95	55) HORN HIGH NOTE	XDH112H	\$16.25
10) CENTER HORN PUSH "TR SHIELD"	150277	\$40.00	55) HORN LOW NOTE	XDH112L	\$16.25
10) CENTER HORN PUSH "TRIUMPH"	159761	\$37.99	56) WIPER MOTOR MOUNT KIT MK1	17H5431K	\$15.00
11) OVERDRIVE SWITCH MK1 & MK2	147281	\$49.99	57) WIPER MOTOR BRUSH SET MK1	508170	\$19.99
12) TURN SIGNAL SWITCH LUCAS	158966	\$70.00	58) WIPER MOTOR GEAR & ROD MK1	513962	\$32.00
12a) TURN SWITCH LABEL	611011	\$4.99	59) WIPER MOTOR MK1 \$35 core charge	513961	\$260.00
13) PAN HEAD SCREW & STAR WASHER (4req)	( 'TP402/SW	\$0.59	60) WIPER MOTOR MOUNTING PAD	150844	\$4.50
14) HORN TOP CLIP MK1 & some MK2	204741	\$13.39	61) BOLT PLAIN WASHER & LOCK WASHER (2req)	HU704/LW	\$0.55
15) HORN BRUSH (horn push) 2.6"	142534	\$7.50	62) WIPER MOTOR STRAP RUBBER	150845	\$1.50
15) HORN BRUSH (horn push) 3.4"	108657	\$10.50	62) WIPER MOTOR STRAP WITH RUBBER	BHA4790	\$8.47
16) LIGHT DIM SWITCH MK1 & MK2	35782	\$75.99	63) WIPER MOTOR GEAR	520101	\$27.25
16) LIGHT DIM SWITCH MK3	35859	\$75.99	64) WIPER MOTOR BRUSH SET	RTC198A	\$25.00
16a) LABEL LIGHT SWITCH up to KC50000	611013	\$1.75	65) WIPER MOTOR PARK SWITCH	520160A	\$15.55
16b) LABEL LIGHT SWITCH from KC50001	621968	\$2.25	66) GROMMET	131155	\$2.35
17) OVERDRIVE SWITCH MK3	39166	\$21.85	67) WIPER RACK	37H5208	\$14.60
18) BRAKE LIGHT SWITCH	34933	\$3.25	68) WINDSHIELD WIPER MOTOR MK2 & MK3	LRW110	\$89.99
19) HORN RELAY LUCAS	SRB411	\$22.00			
19) OVERDRIVE RELAY LUCAS	SRB111	\$36.00			
20) FLASHER UNIT MK1	SFB105	\$7.50	<b>Connectors &amp; Wiring Harnesses</b>		
20) TURN FLASHER UNIT MK2 & MK3	GFU2125	\$5.99	SINGLE BULLET CONNECTING SLEEVE	BW311	\$0.50
20) HAZARD FLASHER UNIT MK3	GFU2204	\$4.99	DOUBLE BULLET CONNECTING SLEEVE	BW312	\$0.75
21) REVERSE LIGHT SWITCH	UKC930	\$9.99	TRIPLE BULLET CONNECTING SLEEVE	BW323	\$2.99
21) OVERDRIVE INHIBITOR SWITCH	UKC930	\$9.99	BULLET CONNECTORS	BW309	\$0.35
22) BOLT, WASHERS & NUT	HU857/WN	\$0.70	STD ALTERNATOR PLUG KITS	CYB400	\$5.99
23) REBUILT GENERATOR MK1 \$35.00 core charge	209000	\$100.00	MAIN & BODY HARNESS MK1	308411	\$475.00
24) MOUNTING BRACKET	143437		MAIN & BODY HARNESS MK2 from KC50001	308601	\$475.00
25) BOLT & WASHER	HB814/W	\$0.75	MAIN & BODY HARNESS MK2 1970 only	308601/70	\$475.00
26) BOLT AND LOCK WASHER (2req)	HU806/LW	\$0.55	MAIN & BODY HARNESS MK3 up to KF20000	312358	\$475.00
27) LOCK NUT	TN3211	\$0.88	MAIN & BODY HARNESS MK3 from KF20001	313301	\$475.00
28) PEDESTAL	59015	\$18.00	REVERSE LIGHT HARNESS NON O/D	147777	\$14.99
29) BOLT & WASHER	59115	\$3.00	O/D HARNESS (inc relay harness) MK1 & MK2	145908	\$55.00
30) NUT	509309		O/D RELAY HARNESS MK1 & MK2	147668	\$23.99
31) GENERATOR PULLEY	147906	\$55.00	O/D GEARBOX HARNESS MK3	155985	\$17.00
32) GENERATOR FAN	147333	\$15.85	OVERDRIVE EXTENSION HARNESS MK3	155984	\$28.00
33) GENERATOR BRUSHES	509302	\$3.50	OVERDRIVE SHIFT LEVER HARNESS MK3	153726	\$12.60
34) FUSE 35AMP (3req)	GFS35	\$0.45	TAILGATE HARNESS (HEATER)	150516	\$31.99
35) FUSE BOX WITH COVER	521030	\$63.99	EARTH LEAD RACK TO ENGINE	134301	\$3.99
36) ALTERNATOR RECTIFIER	AEU4152	CALL	HEADLAMP HARNESS (2req)	BAU2110	\$9.85
37) ALTERNATOR BOLT, WASHER & NUT	HB839/WN	\$1.65			
38) ALTERNATOR SPACER	147483	\$5.70			
39) BOLT & LOCK WASHER (2req)	HU808/LW	\$0.70			
40) MOUNTING BRACKET USED	214268	\$11.00			
41) PULLEY	AEU1238	\$12.00			
42) BOLT, WASHERS & NUT	HU858/WN	\$0.70			
43) ADJUSTING LINK USED	150340USED	\$12.00			

Interior Bits - Click on image to go to website



## Interior Components

1) BLACK DOOR PANELS MK1 & MK2 (1req)	DP1561A	\$149.99	14) REAR DECK CARPET MK3 ONLY	CK1610A	\$96.50
1) BLACK DOOR PANELS MK3 (1req)	DP1635A	\$149.99	15) TAILGATE PANEL KIT MK3	TP1637	\$44.00
1) RED DOOR PANELS MK1 & MK2 (1req)	DP1561M	\$149.99	16) TAILGATE PANEL KIT MK1 & MK2	TP1563	\$49.99
1) MIDNIGHT BLUE DOOR PANELS MK1 & MK2 (1req)	DP1561MB	\$149.99	17) SCREW	GHF425	\$0.15
1) LIGHT TAN DOOR PANELS MK1 & MK2 (1req)	DP1561LT	\$149.99	18) SCREW (2req)	AD610053	\$0.65
1) NEW TAN DOOR PANELS MK3 (1req)	DP1635NT	\$149.99	19) ARMREST REC KIT (BLACK) MK1 & MK2	AR1698A	\$119.99
1) SHADOW BLUE DOOR PANELS MK3 (1req)	DP1635SB	\$149.99	19) ARMREST REC KIT (BLACK) MK3	AR1688A1	\$89.99
2) DOOR PANEL CLIP KIT (44clips included)	DP1583	\$15.00	19) ARMREST REC KIT (SHADOW BLUE) MK3	AR1695SB	\$89.99
3) DOOR TOP CAPPING RH	DC1645A	\$28.00	19) ARMREST REC KIT (NEW TAN) MK3	AR1693NT	\$89.99
3) DOOR TOP CAPPING LH	DC1644A	\$28.00	20) TUNNEL COVER (BLACK)	AR1632A1	\$44.50
4) BLACK WHEEL ARCH KIT MK1 & MK2	WA1562A	\$133.00	20) TUNNEL COVER (SHADOW BLUE)	AR1632SB	\$49.99
4) BLACK WHEEL ARCH KIT MK3	WA1636A	\$133.00	20) TUNNEL COVER (NEW TAN)	AR1632NT	\$49.99
4) RED WHEELARCH KIT MK1 & MK2	WA1562M	\$133.00	21) SCREW & CUP WASHER (2req) CD24153	AD608063/W	\$0.75
4) LIGHT TAN WHEEL ARCH KIT MK1 & MK2	WA1562LT	\$133.00	22) KNEE PAD LH (BLACK)	AR1633A1	\$45.50
4) MIDNIGHT BLUE WHEEL ARCH KIT MK1 & 2	WA1562MB	\$133.00	22) KNEE PAD RH (BLACK)	AR1634A1	\$45.50
4) NEW TAN WHEEL ARCH KIT MK1 & MK2	WA1562NT	\$133.00	23) MOULDED CARPET (rear deck not included)	CK1606A	\$729.00
4) SHADOW BLUE WHEEL ARCH KIT MK2	WA1562SB	\$133.00	23) DELUXE CARPET KIT MK1 (includes rear deck)	SBK822	\$237.00
4) SHADOW BLUE WHEEL ARCH KIT MK3	WA1636SB	\$133.00	23) DELUXE CARPET KIT MK2 (inc 31.5" rear deck)	SBK823A	\$237.00
4) NEW TAN WHEELARCH KIT MK3	WA1636NT	\$133.00	23) DELUXE CARPET KIT MK2 (inc 41.5" rear deck)	SBK823B	\$237.00
5) BLACK HEADREST COVER 1973 ONLY (2req)	THC1530A	\$42.00	23) DELUXE CARPET KIT MK3 1971-72 (inc rear deck)	SBK824	\$237.00
5) CHESTNUT HEADREST COVER 1973 ONLY (2req)	THC1533	\$42.00	23) DELUXE CARPET KIT MK3 1973 (inc rear deck)	SBK825	\$237.00
5) NEW TAN HEADREST COVER 1973 ONLY (2req)	THC1534NT	\$42.00	24) REAR VIEW MIRROR MK1 NON DIPPING	614090/X	\$22.50
5) SHADOW BLUE HEADREST COVER 1973 ONLY (2req)	THC1534SB	\$42.00	25) REAR VIEW MIRROR BASE	RTC1006	\$5.00
			26) SCREW BLACK (2req)	512461	\$0.35
			27) SCREW	SG104161	\$0.50
			28) MIRROR STALK	632091STAL	\$30.35
			29) REAR VIEW MIRROR	632091	\$43.49
			31) SCREW PIVOT MK2 (2req)	HU704	\$0.31
			32) WASHER MK2 (2req)	WP7	\$0.15
			33) SUN VISOR MOUNTING BRACKET RH MK2	812685	\$7.99
			33) SUN VISOR MOUNTING BRACKET LH MK2	812684	\$7.99
			34) SCREW ATTACHMENT (4req)	512156	\$0.25
			34) SCREW ATTACHMENT (2req)	AD608084	\$0.60
			35) SUN VISOR BAR OUTER RH MK2	812762	\$8.75
			35) SUN VISOR BAR OUTER LH MK2	812761	\$7.99
			36) SUN VISOR BAR INNER MK2 (2req)	812760	\$4.50
			37) SUN VISOR INNER BAR RETAINER MK2	622431	\$1.99
			38) SCREW MOUNTING MK2 (2req)	511384	\$0.28
			39) PASSENGER SUN VISOR MK2 & MK3 (black)	823321	\$42.37
			39) DRIVER SUN VISOR MK2 & MK3 (black)	823381	\$31.25
			40) SCREW & WASHER MK3 (4req)	PX504/W	\$0.22
			41) SUN VISOR BRACKETS LH MK3 (2req)	630932	\$8.00
			42) SUN VISOR BRACKETS RH MK3 (2req)	630933	\$8.00
			43) ASHTRAY ASSEMBLY	613186	\$13.99
			44) ABS DASH TOP COVER MK3	DTSPIT4	\$62.00
			44) COMPLETE CRASH PAD ASSEMBLY MK3	815281	
			45) DASHBOARD (Walnut)	SBK40/W	\$290.00
			46) SCREW CHROME MK1 (2req)	509556	\$0.60
			46) SCREW BLACK MK2 & MK3 (4req)	AD608084	\$0.35
			47) SPIRE CLIP (4req)	FU2554	\$0.50
			48) PASSENGERS GLOVE BOX MK1	GB1633A	\$43.99
			48) PASSENGER GLOVE BOX MK2 & MK3	GB1621B	\$32.00
			49) SET SCREW, WASHER & NUT (4req)	HN2005/N	\$0.45
			50) BOLT & WASHERS (2req)	HU504/W	\$0.20
			51) GLOVE BOX RAIL RH	CR1624A	\$49.99
			52) SCREW & WASHER (4req)	AB608055	\$0.45
			53) SPIRE CLIP (4req)	FU2564	
			54) DASHBOARD SUPPORT RECOVER MATERIAL	CR1625A	\$12.99
			54a) USED DASHBOARD SUPPORT BRACKET	810681/U	\$39.99
			55) CHROME BOLT WITH WASHERS (4req)	624818/W	\$2.25
			56) SCREW, WASHERS & LOCK NUT(2req)	515279	\$1.65
			57) GLOVE BOX RAIL LH	CR1623A	\$49.99
			58) RIVET & WASHER (6req)	565756	\$0.45
			59) DRIVERS GLOVE BOX MK1	GB1632A	\$43.99
			59) DRIVERS GLOVE BOX MK2 & MK3	GB1621A	\$32.00

### MK1 Lowback 1966-68 Seat Cover Kit

6) BLACK LOW BACK MK1 SEAT COVER KIT (1req)	SC1530A	\$550.00
6) RED LOW BACK MK1 SEAT COVER KIT (1req)	SC1530M	\$600.00
6) MIDNIGHT BLUE LOW BACK MK1 SEAT COVER KIT (1req)	SC1530MB	\$600.00

### GT6+ 1969-70 Seat Cover Kit

6) BLACK HIGH BACK NON RECLINING MK2 (diamond flute)	SC1532A	\$575.00
6) BLACK HIGH BACK RECLINING MK2 (perforated flutes)	SC1537A	\$575.00
6) RED HIGH BACK RECLINING MK2 (plain flutes)	SC1538M	\$600.00
6) LIGHT TAN HIGH BACK RECLINING MK2 (plain flutes)	SC1538LT	\$600.00
6) MIDNIGHT BLUE HIGH BACK RECLINING MK2 (plain flute)	SC1538MB	\$600.00

### MK3 1971-72 Seat Cover Kit High Back

6) BLACK HIGHBACK (perforated flutes)	SC1535A	\$600.00
6) RED HIGHBACK (plain flutes)	SC1526M	\$600.00
6) SHADOW BLUE HIGHBACK (plain flutes)	SC1526SB	\$600.00
6) NEW TAN HIGHBACK (plain flutes)	SC1526NT	\$600.00

### MK3 1973 Seat Cover Kit

6) BLACK CLOTH FACED	SC1556A	\$400.00
6) NEW TAN CLOTH FACED	SC1556NT	\$400.00
6) BLACK VINYL (perforated)	SC1552A	\$400.00

### Seat Foams

7) SEAT FOAM KIT MK1 LOW BACK (1req)	SF121	\$359.00
7) SEAT FOAM KIT MK2 HIGH BACK (1req)	SF127	\$444.50
7) SEAT FOAM HIGH BACK 1971-72 (2req)	SF128	\$115.00
7) SEAT FOAM BACK 1973 (2req)	SF102	\$92.99
7) SEAT FOAM BASE 1971-73 RH (1req)	SF100	\$95.99
7) SEAT FOAM BASE 1971-73 LH (1req)	SF101	\$95.99
8) RETRACTING SEAT BELT PAIR (1req)	XKC2528SA	\$174.99
8) LAP SEAT BELT KIT (2req)	712600	\$44.00
9) BOLT, WASHER & LOCK WASHER (8req)	HU707/W	\$0.65
10) BOLT, WASHER & LOCK NUT (4req)	HU807/LN	\$0.95
11) HANDLE MK3 (2req)	717105	\$22.00
12) SCREW & WASHER (2req)	508194	\$0.90
13) HEADLINING (w hite) MK2 & MK3	HL1638W	\$128.00
13) HEADLINING (black) MK2 & MK3	HL1638A	\$128.00
13) HEADLINING (w hite longhorn) MK1	HL1637L	\$128.00
14) REAR DECK CARPET MK1 & MK2 41.5" LONG	CK1609A	\$96.50
14) REAR DECK CARPET MK1 & MK2 31.5" LONG	CK1608A	\$96.50



