

## External Single Rail Gearbox 1975 Onward

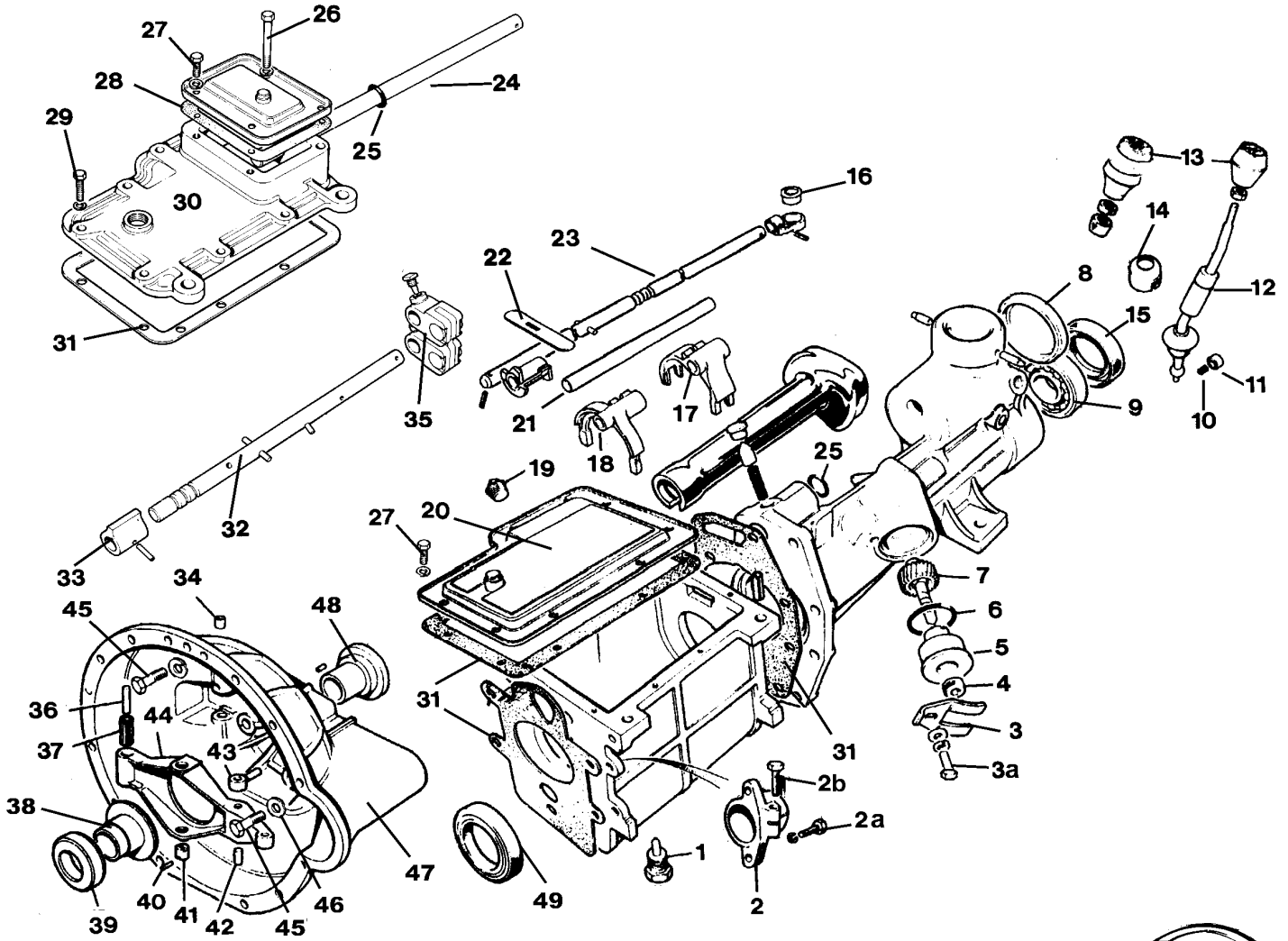
1) DRAIN PLUG	155660	27) BOLT & LOCK WASHER	HU704/LW
2) BOSS SLAVE CYL USED	206175USED	28) TOP PLATE GASKET O/D	UKC2937
2a) BOLT AND WASHER (2req)	HU807/LW	29) TOP COVER BOLT (7req) O/D	HU707
2b) BOLT WASHER & LOCK NUT	HB818/WLN	30) TOP COVER O/D	TKC1256
3) SPEEDO BEARING RETAINER	22G1711	31) GASKET SET NON O/D (single rail)	SBK443
3a) BOLT WASHER & LOCK WASHER	HU706/LW	32) SELECTOR SHAFT O/D	UKC4619
4) OIL SEAL	108757	33) ACTUATOR CAM	UKC2281
5) SPEEDO BEARING	22G1486	34) BUSH RELEASE FORK (2req)	129358
6) ORING SPEEDO	TRS1620	35) COUPLING O/D	UKC2742
7) PINION SPEEDO DRIVE	219005	36) PIN RELEASE FORK	129410
8) END PLUG	22G1422	36a) IMPROVED RELEASE FORK PIN	129410IMPR
9) BEARING TAIL SHAFT	157732	37) SLEEVE	129412
10) SPRING	106388	38) USED SLEEVE THROWOUT BEARING	139563USEI
11) PLUNGER	22G2286	39) RELEASE BEARING	GRB207
12) GEAR LEVER NON O/D	UKC3284	40) DOWEL (2req)	DS914
12a) GEAR LEVER O/D	UKC3285	41) PLUG SLEEVE TO LEVER (2req)	112509
13) WALNUT GEAR SHIFT KNOB NON O/D	SBK619	42) PIN PUSH ROD	112516
13a) GEARSHIFT O/D SWITCH	39166	43) PUSH ROD	109182
13b) O/D GEARSHIFT CAP	AAU6867	44) CLUTCH RELEASE LEVER	213032
13c) GEAR KNOB NON O/D (plastic wood gra	UKC7614	45) BELLHOUSING BOLT & LOCK WASHER (4req)	HU909/LW
13d) GEAR KNOB O/D	153515	45) BELLHOUSING BOLT with shoulder (1req)	509860
13e) CHROME GEAR KNOB NUT	C30505	46) COPPER WASHER	500464
13f) GEAR KNOB INTERNAL LOCKNUT	C30623	47) ALLUMINUM BELLHOUSING	312151a
13g) GEAR KNOB NON O/D LEATHER	UKC4815	48) COVER FRONT UP TO FT422238	122566
14) RING RETAINER (shifter)	22G1434	48a) COVER FRONT FROM FT42238	UKC7926
15) REAR SEAL	117510	49) FRONT SEAL FROM FT42238	132292
16) SHIFT LEVER BUSH	DAM3045	50) 3 PIECE CLUTCH KIT COVENTRY CLASSIC	CCK8917
17) FORK 1st&2nd SELECTOR	22G1406	50a) 3 PIECE CLUTCH KIT BORG & BECK 1975-80	HK8917
18) FORK 3rd&4th SELECTOR	22G1584	50b) CLUTCH PLATE 1500 1975-80 (20 spline)	GCP230
19) FILLER PLUG	114774	50c) PRESSURE PLATE 1500 1975-80	GCC196
20) USED TOP COVER	UKC5507	51) PRESSURE PLATE SCREW 1500 (6req)	146176
21) SELECTOR SHAFT	22G1408	52) MASTER CYL "TRW" (girling)	GMC205
22) INTERLOCK SPOOL PLATE	22G1419	52a) CLUTCH MASTER CYL (reproduction)	GMC205Z
23) GEAR SELECTOR SHAFT	DAM4964	52b) MASTER CYLINDER CAP (reproduction)	106094
24) SELECTOR SHAFT O/D	UKC2892	53) CLEVIS PIN, WASHER & SPLIT PIN	PJ8808/KIT
25) O RING SELECTOR SHAFT	TRS912	54) MASTER REBUILD KIT O.E (girling)	SP1963
26) BOLT LONG (2req) O/D	HB716	54a) MASTER REBUILD KIT (reproduction)	SP1963X
		55) SLAVE CYL REBUILD KIT (reproduction)	SP2348X
		55a) SLAVE CYL REBUILD KIT O.E	SP2348
		56) CLUTCH LINE (copper nickel)	308160
		57) SLAVE CYL up to 1977 O.E (alloy)	64068370
		57a) SLAVE CYL up to 1977 REPRO (alloy)	144716/X
		57b) SLAVE CYL from 1978 REPRO (cast iron)	GSY103X
		58) MASTER CYL DUST BOOT	125217
		59) BOLT & LOCK WASHER (6req)	HU705 / LW
		60) BOLT & 2 WASHERS (2req)	HU705 / W
		61) CLUTCH PEDAL RETURN SPRING	114438
		62) PEDAL PAD (2req)	150881

## Rebuilt Gearbox & Items not Illustrated

CLUTCH ALIGNMENT TOOL 10 SPLINE	KB33-07
CLUTCH ALIGNMENT TOOL 20 SPLINE	KB33-29
CASTROL CLUTCH FLUID 1 LITRE	GBF303
SINGLE RAIL NON O/D 1975-80 (SCROLL TY	UKC5643scroll
SINGLE RAIL O/D 1975-80 (SCROLL TYPE)	UKC5646scroll
fitted up to Gearbox FT422238	
SINGLE RAIL NON O/D 1979-80 (SEAL TYPE)	UKC5643seal
SINGLE RAIL O/D 1979-80 (SEAL TYPE)	UKC5646seal
fitted from Gearbox FT422238	

(\$150.00 core charge on above rebuilt gearboxes)

# Single Rail Gearbox 75-80



## Clutch Components

