

Steering Rack

1) TIE ROD END (2req)	GSJ158
2) CIRCLIP	509537
3) SEAL	128021
4) PINION BUSH	127998
5) INNER TIE ROD (2req)	128023
6) SOCKET BALL JOINT (2req)	158732
7) SHIM .002"	130031
7) SHIM .010"	130032
7) SHIM .004"	153516
8) LOCK TAB (2req)	120957
9) SPRING (2req)	120953
10) STEERING RACK BOOT KIT(with clamps)	QG1010
11) RACK BOOT CABLE TIE	512781
12) BOOT CLAMP SMALL (2req)	CS4009
13) TIE ROD END JAM NUT (2 req)	128022
14) BOOT CLAMP LARGE (1req)	CS4020
15) BLANKING PLUG	145108
16) DAMPER	120946
17) CAP	132053
18) RACK MOUNT CLAMP (2req)	156024
19) RUBBER MOUNT (RACK) (2req)	139386
19) RACK MOUNT KIT (POLY) PAIR	BAC14
20) REINFORCEMENT PLATE (2req)	133875
21) LOCK NUT & PLAIN WASHER (4req)	YN2908/W
22) BUSH	128002

Steering Column 1977 - 1980

1) CENTER BADGE (TRIUMPH) from FM9500	ULC1992
2) CENTER BADGE from Mid 1978 to FM9500	ULC1591
3) TRIP CABLE MOUNT	628375
4) MOUNTING BOLT (2 req)	UKC7070
5) BOLT, WASHERS AND NUT (2req)	HU706/WN
7) UPPER STEERING BUSH	FAM2406
8) BOLT WASHER & LOCK WASHER (2req)	HU705
9) BOLT, WASHERS AND NUT (2req)	HU707/WN
11) FELT PAD	608223
12) BOLT & LOCK WASHER (2req)	HB710/LW
13) FELT STRIP	608222
14) GRUB SCREW	125781
15) JAM NUT	JN2110
16) PLATE	125782
17) LOWER STEERING BUSH	209423
18) END CAP	122718
19) WASHER	122719
20) STEERING COLUMN LOWER SEAL	613466
21) PLATE	601597
22) SCREW (2req)	AD608041
23) SPIRE CLIP (2req)	GHF701
24) STEERING FLEX JOINT	142140
25) BOLT, WASHER & LOCK NUT (2req)	HB810/WLN
26) NACELLE SCREW (2req)	AFU1212
27) NACELLE 1977-80	XKC2345
29) STEERING WHEEL NUT	138466

Steering Column 1971 - 1976

1) WHEEL CENTER PAD 1971 to FM60,006	156170
2) STEERING WHEEL 1971-1976	160038
3) NUT	105438
4) WASHER	WP8027
5) SIGNAL CANCELING CLIP	140549
6) INNER STEERING COLUMN	155621
7) SHEAR BOLTS (2req)	152597
8) BRACKET	UKC894
9) GRUB SCREW	125781
10) JAM NUT	JN2110
11) PLATE	125782
12) END CAP	122718
13) WASHER	122719
14) BOLT & LOCK WASHER (2req)	HB710/LW
15) BOLT (2req)	HU704
16) BOLT WASHER & LOCK WASHER (2req)	HU705
17) BOLT, WASHERS AND NUT (2req)	HU706/WN
18) SCREW (2req)	510273
19) SPIRE CLIP (2req)	FC2803
20) SWITCH ESCUTCHEON (2req)	708479
21) STEERING COLUMN BUSH (2req)	209423
22) HORN SLIP RING AND INSULATOR	608462
23) SPRING CLAMP	609639
24) FELT PAD	608223
25) NUT, WASHER & LOCK WASHER (2req)	HN2007/W
26) BOLT, WASHER & LOCK NUT (2req)	HB810/WLN
27) STEERING FLEX JOINT	142140
28) SPIRE CLIP (2req)	GHF701
29) STEERING COLUMN LOWER SEAL	613466
30) PLATE	601597
31) SCREW (2req)	AD608041
32) COLUMN WIRE COVER	611369

Steering Wheels

13" WOOD STEERING WHEEL 1971 - 1976	SBSW1
13" WOOD STEERING WHEEL 1977 - 1980	SBSW2
LEATHER STEERING WHEEL 1971 - 1976	SBSW3
LEATHER STEERING WHEEL 1977 - 1980	SBSW4
CLASSIC WOOD STEERING WHEEL 1971-1976	WSW13

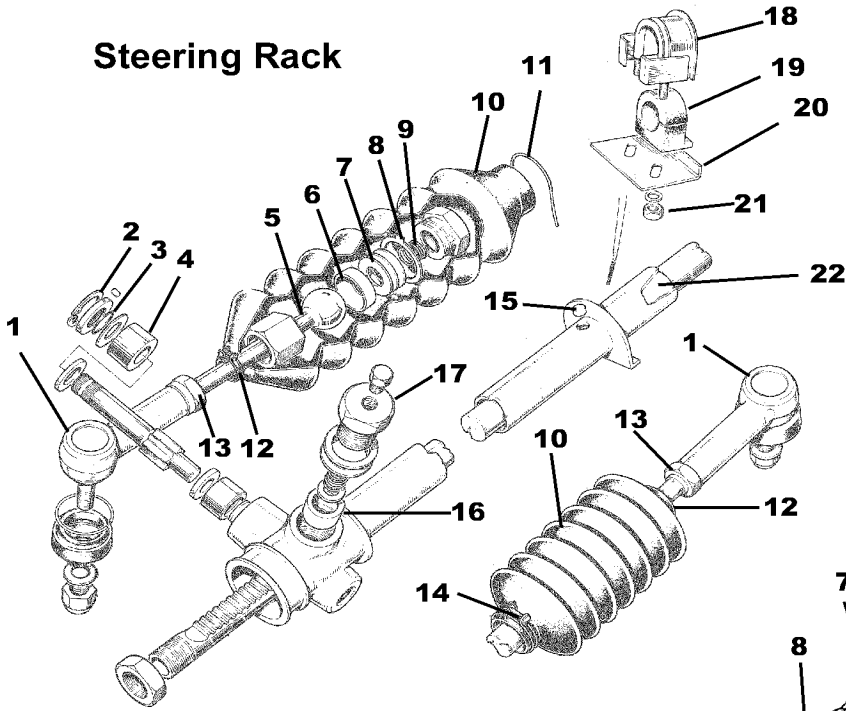
Solid Steering Rack Mount Kit

ALLOY STEERING RACK CLAMP SET	SBK55
-------------------------------	-------

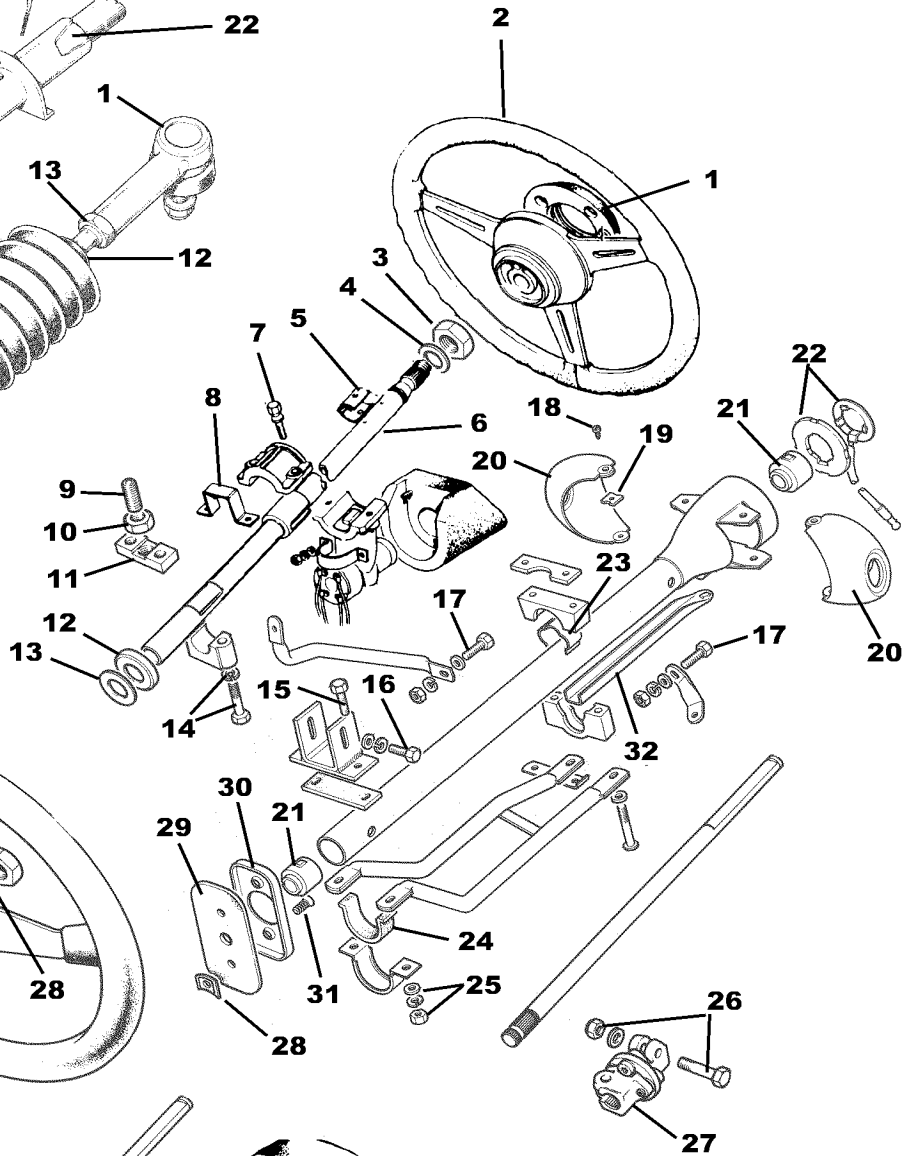
New Steering Rack

NEW STEERING RACK (OE quality)	305931
--------------------------------	--------

Steering Rack



Steering Column 1971 - 1976



Steering Column 1977 - 1980

