

Lighting

1) HEADLIGHT (2req)	514579
2) RETAINER RIM (2req)	515218
2a) SCREW RIM MOUNTING (6req)	507086
3) ADJUSTER KIT (2req)	BHM7058
4) HEADLAMP BOWL LUCAS (2req)	520080
5) RUBBER SEAL (2req)	149266
6) FRONT RH SIDE MARKER 1972-1980	158561X
6) FRONT LH SIDE MARKER 1972-1980	158562X
7) MOUNTING RUBBER SET (1req)	158565/6
8) REFLECTOR RED (2req)	589517
8) REFLECTOR AMBER (2req)	90/608223
9) CHROME RIM USED (4req)	519364
10) LENS RED (2req)	608224
10) LENS AMBER (2req)	90/608222
11) BULB (4req)	GLB989
12) BULB HOLDER FRONT (2req)	506619F
12) BULB HOLDER REAR (2req)	506619R
13) FRONT PARK/TURN (2req)	56159
14) RIM (2req)	520086
15) BULB (2req)	GLB380
16) FRONT PARK/TURN LIGHT GASKET (2req)	518920
17) SCREW FIXING CHROME RIM (4req)	516305
17a) CAPTIVE NUTS (for turn lamp)	FZ3404
18) LICENSE PLATE LAMP CHROME 1973-77	159838
18) LICENSE PLATE LAMP BLACK 1977-80	(AAU2143
19) LICENSE PLATE LAMP LENS & CONTACT	159838LENS
20) BULB (2req)	GLB254
21) NUT & WASHERS (4req)	HN2005/W
22) LICENSE PLATE LAMP GASKET (2req)	159838/GASKE
23) TRUNK LAMP (includes bulb) 1975-80	151353
24) BULB	GLB254
25) MOUNTING CLIP	FJ2462
26) LIGHT SWITCH	606240
27) MOUNTING SCREW	YZ3365
28) LICENSE PLATE LAMP 1971-72	718028
29) TRIUMPH BADGE 71-72	626859
30) LICENSE PLATE LAMP GASKET 1971-72	215823
31) BULB (2req)	GLB207
33) REAR TURN LENS (2req)	RTC1176
34) STOP LENS (2req)	RTC1177
35) REVERSE LENS (2req)	RTC1174
36) REAR LENS GASKET (2req)	520091
37) BULB (4req)	GLB382
38) BULB (2req)	GLB380
39) REAR LAMP GASKET (2req)	RTC1175
39) RUBBER LAMP MOUNTING GASKET (2req)	158196
40) BULB HOLDER TURN & REVERSE LAMP	518042
41) BULB HOLDER STOP / TAIL LAMP (2req)	518041

42) SPIRE CLIP (4req)	FU2545
43) MOUNTING NUT & WASHERS (10req)	HN2005/W
44) LIGHT ASSEMBLY COVER RH (used)	818771
44) LIGHT ASSEMBLY COVER LH (used)	818761
45) SCREW & WASHER (4req)	YZ3504/W
46) REAR LIGHT CLUSTER RH & LH (2req)	TKC943

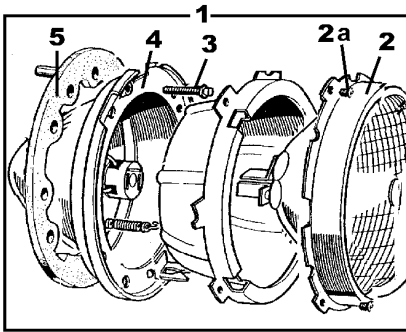
Electrical Relays & Switches

1) REVERSE LIGHT SWITCH 1975 - 1980	13H6084
2) ELECTRIC FAN RELAY 1979-1980 LUCAS	SRB411
3) COOLING FAN THERMO SWITCH 1979-80	TKC5021
4) BRAKE LIGHT SWITCH	34933
5) TURN FLASHER UNIT upto FM60006	GFU2125
5) HAZARD FLASHER UNIT upto FM60006	GFU2204
5) HAZARD & FLASHER UNIT from FM60006	UKC9187
6) OVERDRIVE RELAY LUCAS	SRB111
6) STARTER RELAY up to FM40000 LUCAS	SRB111
6) STARTER RELAY from FM40001 LUCAS	UKC1547
6) HORN RELAY LUCAS fitted up to FM60006	SRB411
7) REVERSE LIGHT SWITCH 1971 - 1974	UKC930
7) OVERDRIVE INHIBITOR SWITCH	UKC930
8) GEARSHIFT O/D SWITCH	39166

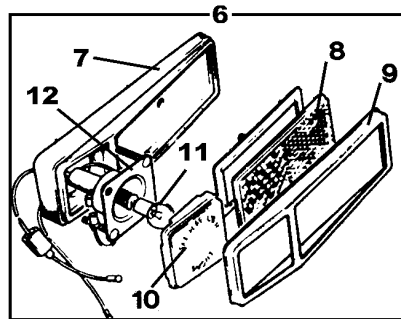
Ignition System Components

1) TUNE UP KIT 1971 - 1974	SBK43
1) TUNE UP KIT LUCAS 45 D4 DISTRIBUTOR	SBK43A
2) ROTOR up to 1974	GRA110
2) ROTOR from 1975	47540
3) CONDENSER up to 1974	33760
4) CONTACT SET up to 1974	22830
5) DISTRIBUTOR CAP TO 1974 (Delco)	GDC123
5) DISTRIBUTOR CAP FROM 1975	GDC136
6) LUCAS COIL STOCK	DLB102
6) LUCAS SPORT COIL 12 VOLT	DLB105
6) LUCAS SPORT COIL 6 VOLT	DLB110
7) LUCAS POINTS DISTRIBUTOR EURO SPEC	RKC5044
7a) VACCUME RETARD UNIT (45 DM4)	LU54401650
8) SPARK PLUGS CHAMPION	CHN12YC
9) BALLAST RESISTER	134176
10) SPARK PLUG WIRES	GHT152
10) SPARK PLUG WIRES Lucas	GHT152luca:
10) SPARK PLUG WIRES GREEN	GHT152gree

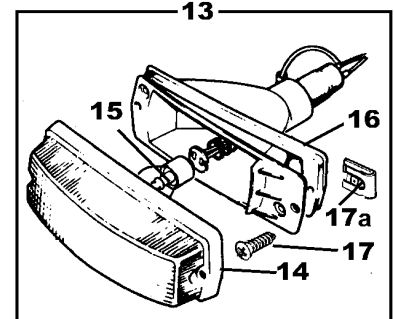
Headlight



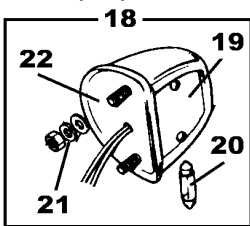
Side Marker



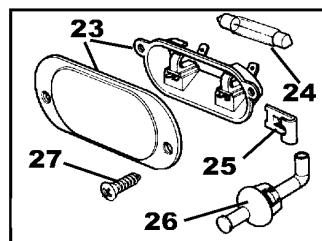
Turn Lamp



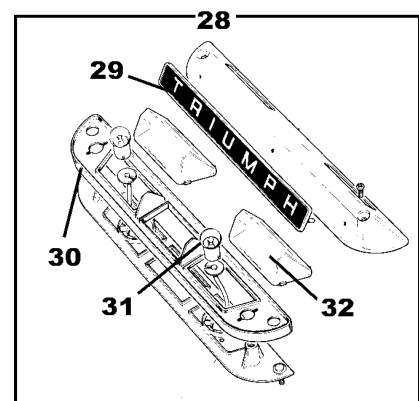
License Plate Lamp 1973 - 1980



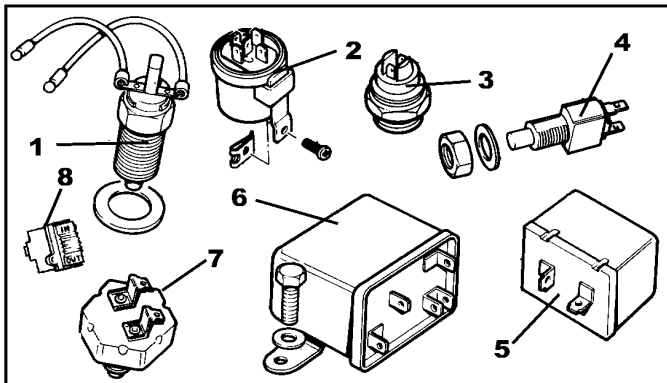
Trunk Lamp



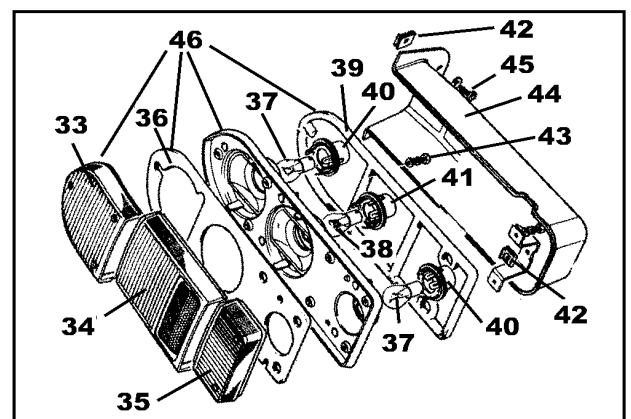
License Plate Lamp 1971 - 1972



Switches & Relays



Tail Light



Ignition Components

