

Cooling

1) THERMOSTAT HOUSING up to FM95,000	156333
2) BOLT & WASHER LONG up to FM95,000	HB810/LW
2) BOLT & WASHER from FM95,000 (2req)	HB810/LW
2) BOLT & WASHER SHORT up to FM95,000	HB808/LW
3) THERMOSTAT 160	GTS102
3) THERMOSTAT 180	GTS104
3) THERMOSTAT 190	GTS106
4) THERMOSTAT GASKET	GTG103
5) WATER PUMP HOUSING GASKET	138702
6) TEMPERATURE SENDER	GTR110
6a) CLIP TEMPERATURE SENDER CABLE	508726
7) BOLT & WASHER LONG	HB822
7) BOLT & WASHER INTERMEDIATE	HB819
7) BOLT & WASHER SHORT	HB818
8) WATER PUMP STUD (3req)	101962
8a) ALLOY WATER PUMP HOUSING	144297A
9) WATER PUMP GASKET	138701
10) NUT & LOCK WASHER (3req)	HN2008/LW
11) WATER PUMP to 1974	GWP128
11) WATER PUMP VISCOUS 1975 -1978	UKC774
11) WATER PUMP 1979-80	GWP205
12) FAN BELT 1971-1980	QBA1088
13) CLUTCH SLEEVE	UKC759
14) VISCOUS FAN CLUTCH	UKC3532
15) BOLT, WASHER AND NUT (4req)	HB712/N
16) VISCOUS FAN BLADE	RKC92
16) NON VISCOUS FAN BLADE	RKC2126
17) BOLT & LOCK WASHER (4req)	HU706/ LW
18) FILLER PLATE GASKET	154680
19) RADIATOR CAP 13lbs	GRC114
20) BOLT & LOCK WASHER (3req)	HU805/LW
21) TOP HOSE LH 1979-1980 OE	GRH622
22) TOP HOSE RH 1979-1980 REPRO	GRH620X

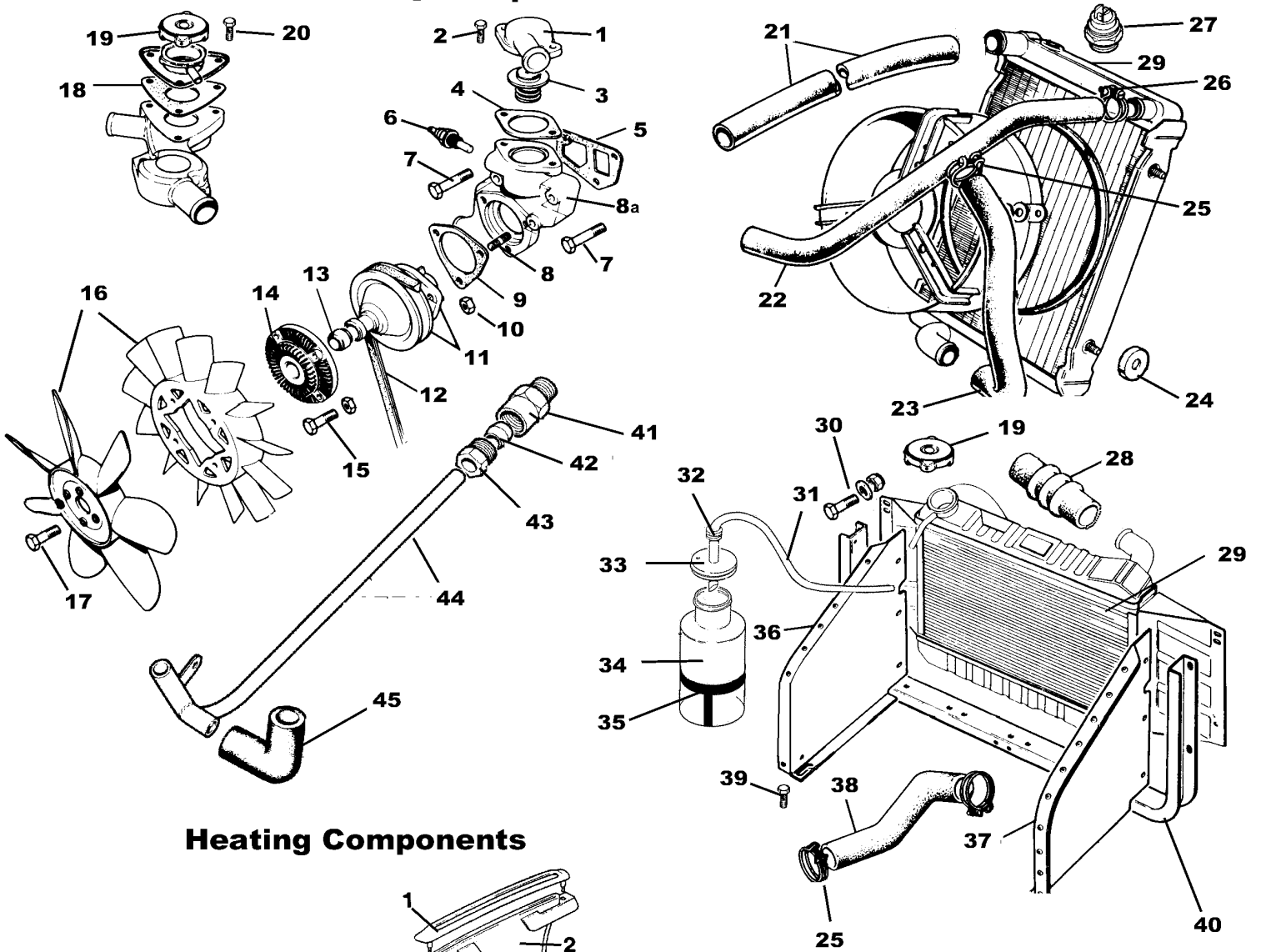
Cooling

23) BOTTOM HOSE 1979-1980	GRH621
24) RADIATOR MOUNT 1979 - 1980 (4req)	UKC2225
25) HOSE CLAMPS (4req)	CS4025
26) TOP RH HOSE CLAMP 1979-1980 (2req)	CS4022
27) COOLING FAN THERMO SWITCH 1979-1980	TKC5021
28) TOP HOSE 1971-1978	GRH533
29) RADIATOR 1979 - 1980	RKC3787
29) RADIATOR FULL WIDTH 3 ROW 1971-1979	402823
30) BOLT WASHERS & NUT (4req)	HU706/WN
31) OVERFLOW PIPE (sold by the foot)	141475
32) OVERFLOW BOTTLE CAP GROMMET	616925
33) OVERFLOW BOTTLE CAP	137743
34) OVERFLOW BOTTLE	137632
35) OVERFLOW BOTTLE BRACKET (replacement)	141606
36) RADIATOR COWL LH (ours are made correctly)	706843
37) RADIATOR COWL RH (ours are made correctly)	706844
38) BOTTOM HOSE 15" RADIATOR	GRH265
38) BOTTOM HOSE 21" RADIATOR	GRH532
39) COWL MOUNTING BOLT & WASHER (2 req.)	HU706/W
39a) CAGED 1/4" NUT for COWL MOUNTING BOLT	518454
40) RADIATOR CRADLE	TKC1761
41) ADAPTER	101343
42) OLIVE	TL11
43) SLEEVE NUT	101302
44) HEATER PIPE STAINLESS (manual choke)	212935/SS
44a) HEATER PIPE (auto choke equipped cars)	TKC1855
45) WATER RETURN HOSE up to FM80,001	149700

Heating System

1) DEMISTER VENT USED (2req)	622812/U	11) CABLE TRUNNION (3req)	609123
2) NOZZLE to mid 1976 (2req) RH & LH	714434/U	12) RETURN HOSE FEDERAL to FM60,006	152523
2) RH NOZZLE from mid 1976	YKC2639/U	12) RETURN HOSE ALL CA, FED from FM60,006	152526
2) LH NOZZLE from mid 1976	YKC2640/U	13) HEATER PIPE SEAL	616627
3) HEATER KNOB (2req)	622228	14) HEATER CONTROL CABLE	624193
4) LABEL	624276	15) HEATER MATRIX 1971 - 1976	910501M
5) HEATER HOSE to Mid 1976 11/2" Dia (2rec)	602638	16) HOSE CLAMP	CS4012
5) HEATER HOSE from Mid 76 13/4" Dia (2req)	715032	17) HEATER HOSE VALVE TO INTAKE MANIFOLD	154405
6) HOSE CLAMP to Mid 1976 11/2" Dia (4req)	CS4027	HEATER CONTROL ESCUTCHEON BULB	GLB286
6) HOSE CLAMP from Mid 76 13/4" Dia (4req)	CS4029		
7) HEATER MOTOR USED	518580USED		
8) HEATER VALVE CABLE	625687		
9) HOSE FROM HEATER TO VALVE	152525		
10) HEATER VALVE (without brass fitting)	724021		
10a) HEATER VALVE BRASS FITTING USED	724021FITTING		
10b) HEATER VALVE SEAL (not illustrated)	C9928A		
10c) HEATER VALVE MOUNTING BRACKET	613493USED		

Cooling Components



Heating Components

