

Front Suspension

1) UPPER A ARM (4req)	119272
2) UPPER BALL JOINT (2req)	GSJ155
3) BOLT WASHER AND LOCK NUT (4req)	SHDW3
4) WISHBONE BUSH (8req)	119451
4) POLY BUSH SET (includes 8 bushes)	BAC12
5) UPPER BUSH SHOCK (4req)	122324A
6) SPRING PLATE CAP (2req)	123231
7) COIL SPRING 1971-1974 150 lbs (2req)	214144
7) COIL SPRING 1500 from 1975 180lbs (2req)	TKC1884
7) UPRATED SPRING PAIR 25% 1" LOWER (TKC1884/U	
8) FRONT SHOCK ABSORBER (2req)	GSA267
8) SPAX SHOCK ABSORBER (2req)	G210-S
8) GAZ SHOCK ABSORBER	GSO2269
8) GAZ SHOCK ABSORBER adjustable seat	GP4-2271
9) LOWER A ARM RH	206685
9) LOWER A ARM LH	206686
10) BOLT WASHER AND LOCK NUT (4req)	SHDW2
11) MINOR TRUNNION KIT (2 req)	QSK140S
12) TRUNNION LH	140920
12) TRUNNION RH	140919
13) TRUNNION SEAL (2req)	122126
14) LOWER BUSH SHOCK (2req)	119450
15) WHEEL STUD (16req)	158729
16) GREASE CAP (2req)	102689
17) CASTLE NUT (2req)	LN2211
18) D WASHER (2req)	102690
19) WHEEL BEARING KIT (2req)	GHK1244
20) STUB AXLE (2req)	UKC697
21) HUB SEAL (2req)	GHS146
22) VERTICAL LINK RH	GSJ265
22) VERTICAL LINK LH	GSJ266
23) OIL NIPPLE VERTICAL LINK (2req)	LN30041
24) BOLT TIE ROD LEVER (2req)	159514
25) LOCK NUT (2req)	YN2911
26) LOCK NUT included with ball joint (2req)	YN2910
27) LOCK NUT & WASHER (6req)	YN2907/W
28) SPRING TOP PLATE (2req)	122137
29) SHIM	122022
30) WASHER (4req)	WP9
31) LOCKNUT & THICK WASHER (4 required)	YN2909/TW
32) BOLT AND LOCK NUT (8 req)	SHDW1
33) FRONT PIVOT BRACKET (2req)	130757
34) REAR PIVOT BRACKET (2req)	130758

Front Suspension Kits & Shock Kits

FRONT SUSPENSION KIT with rubber bushes QSK88

Above kits includes: ball joints (2), wishbone bush (8), shock bush (2), trunnion (2), trunnion seal (2), trunnion kit (2), bolts & locknuts (16).

FRONT SUSPENSION KIT with poly bushes QSK88POLY

SPAX SHOCK KIT SBK52

Above kit includes 2 X G210 & 2 X G211 shocks.

STANDARD SHOCK KIT SBK53

Above kit includes 2 front and 2 rear shocks.

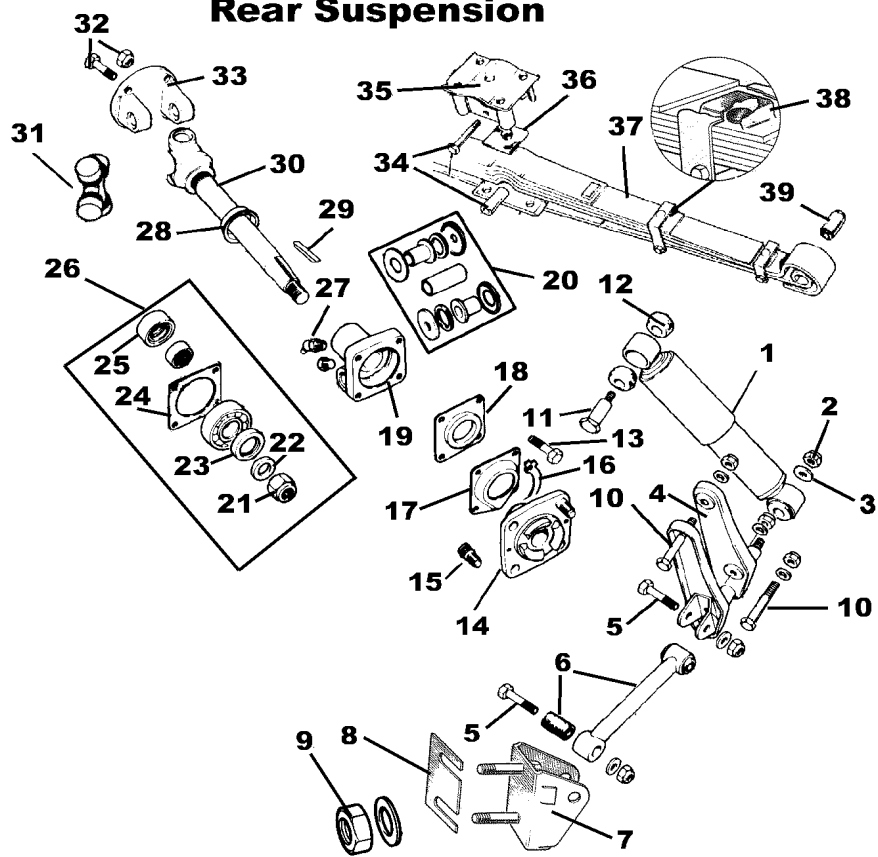
Rear Suspension

1) REAR SHOCK ABSORBER (2req)	GSA385
1) SPAX ADJUSTABLE SHOCK (2req)	G211
2) LOCK NUT (2req)	YN2910
3) THICK WASHER (2req)	WM69
4) VERTICAL LINK RH RECONDITIONED	132763
4) VERTICAL LINK LH RECONDITIONED	132764
5) BOLT WASHER & LOCK NUT (4req)	SHDW4
6) RADIUS ARM BUSH (4req)	119451
6) RADIUS ARM BUSH KIT POLY(includes 4 bushes)	BAC16
7) RADIUS ARM BRACKET 1971-1972 LH	151966
7) RADIUS ARM BRACKET 1971-1972 RH	151967
7) RADIUS ARM BRACKET LH 1973-1980	159842
7) RADIUS ARM BRACKET RH 1973-1980	159843
8) RADIUS ARM ADJUSTING SHIM	133070
9) LOCK NUT (4req)	YN2909
10) BOLT WASHER & LOCK NUT (4req)	SHDW5
11) BOLT WASHER & LOCK NUT (2req)	SHDW6
12) POLYURETHANE SHOCK KIT (1req)	BAC19
13) BOLT (8req)	HU807
14) DRIVE FLANGE WITH STUDS (2req)	131567
15) WHEEL STUD (16req)	158729
16) INNER HUB TAB WASHER (4req)	121860
17) GREASE SHIELD (2req)	104582
18) HOUSING OIL SEAL (2req)	104773
19) USED HUB (2req)	204226USEI
20) REAR TRUNNION KIT (2 req)	QSK151
21) AXLE SHAFT LOCK NUT	510618
22) WASHER (2req) not included with #26	142333
23) OUTER HUB SEAL (2req)	GHS111
24) GASKET (2req)	GFG117
25) INNER HUB SEAL (2req)	128978
26) WHEEL BEARING KIT (2req) #22 not included	GHK1029
27) GREASE FITTING (2req)	56935
28) OIL FLINGER (2req)	128469
29) WOODRUFF KEY	104581
30) HALF SHAFT 71-72 (2req)	129003
30) HALF SHAFT 73-80 (2req)	155928
31) U JOINT (2req)	HS150
32) BOLT & LOCK NUT (8req)	132023/LN
33) DRIVE FLANGE (2req)	37H4973
34) PIVOT SPACER TUBE, BOLT, WASHER & NUT	149190KIT
35) SPRING PIVOT BOX	159641
36) PIVOT BOX SPRING PAD	149191
37) LEAF SPRING	159640
38) SPRING THRUST BUTTON (8req)	114006
39) SPRING BUSH (2req)	C8939



Front Suspension Kit

Rear Suspension



Front Suspension

